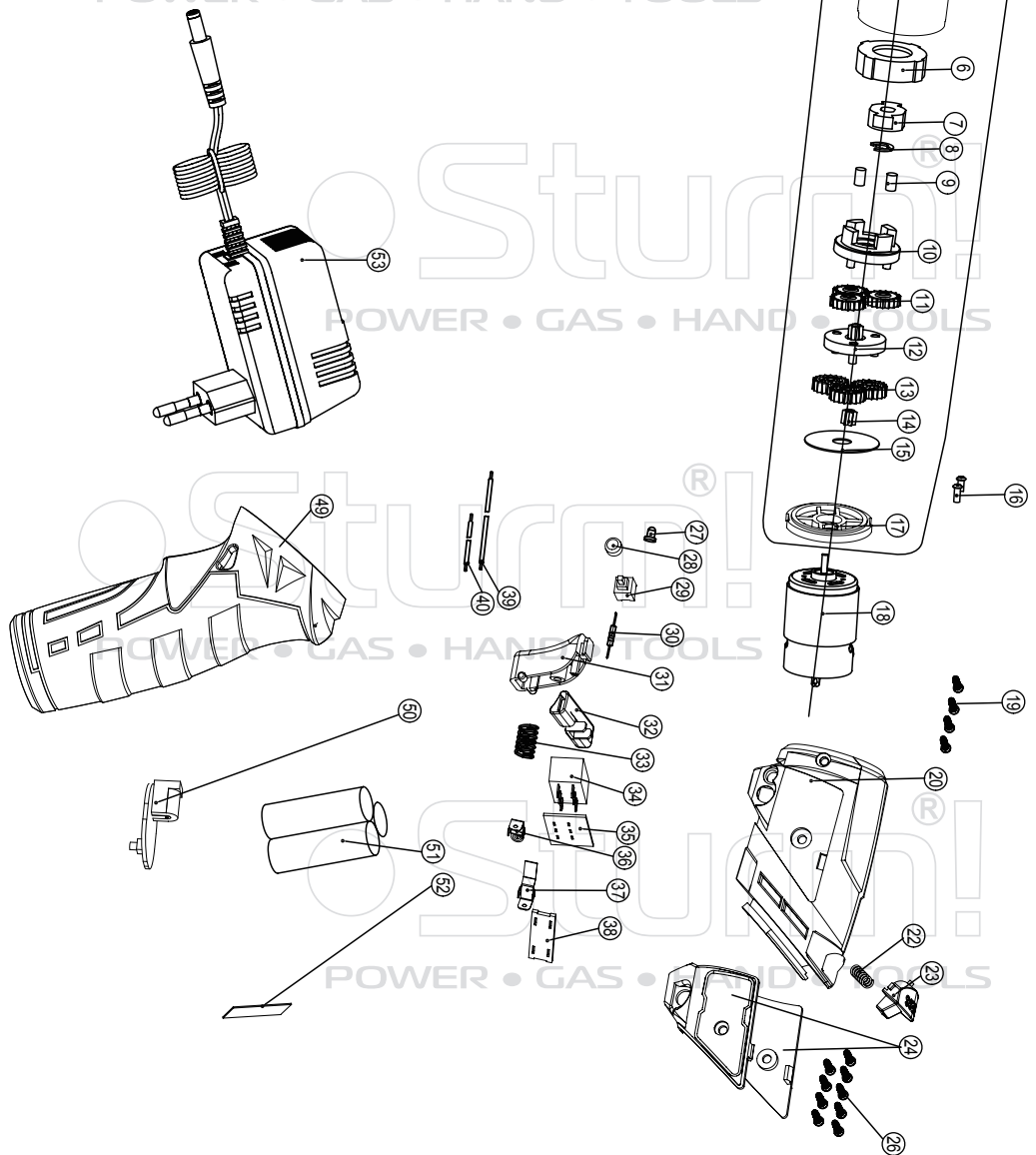


Sturm!
POWER • GAS • HAND • TOOLS



AS3536B2

| NO. | DESCRIPTION | NO. | DESCRIPTION |
|-----|----------------------|-----|-----------------------------------|
| 1 | SHAFT | 24 | DECORATION PLATE |
| 2 | HEAD HOUSING | 26 | TAPPING SCREW |
| 3 | WASHER | 27 | LED LIGHT |
| 4 | SHAFT BUSH | 28 | SWITCH BUTTON COVER |
| 5 | GEAR BOX | 29 | SWITCH |
| 6 | LOCK RING | 30 | RESISTOR |
| 7 | TRIANGLE BLOCK | 31 | SWITCH BUTTON |
| 8 | CIRCLIP | 32 | F/R LEVER |
| 9 | LOCK PIN | 33 | SPRING |
| 10 | PLANET GEARS BRACKET | 34 | SWITCH |
| 11 | 2ND PLANET GEARS | 35 | PCB |
| 12 | PLANET GEARS BRACKET | 36 | CONNECTION SHEET(FIXED) |
| 13 | 1ND PLANET GEARS | 37 | CONNECTION SHEET(MOVABLE) |
| 14 | MOTOR GEAR | 38 | BRACKET OF CONNECTION SHEET |
| 15 | WASHER | 39 | INTERNAL WIRE 0.15MM ² |
| 16 | SCREW | 40 | INTERNAL WIRE 0.3MM ² |
| 17 | GEAR BOX COVER | 49 | HANDLE ASSEMBLY |
| 18 | MOTOR | 50 | PCB FOR AA BATTERY CHARGING |
| 19 | TAPPING SCREW | 51 | AA BATTERY 1.2V |
| 20 | HOUSING ASSEMBLY | 52 | SOLDER SHEET |
| 22 | ROTATING SPRING | 53 | CHARGER |
| 23 | ROTATING BUTTON | 101 | GEAR BOX ASSEMBLY |

ST20130325

Sturm!
POWER • GAS • HAND • TOOLS

POWER • GAS • HAND • TOOLS

Sturm!
POWER • GAS • HAND • TOOLS