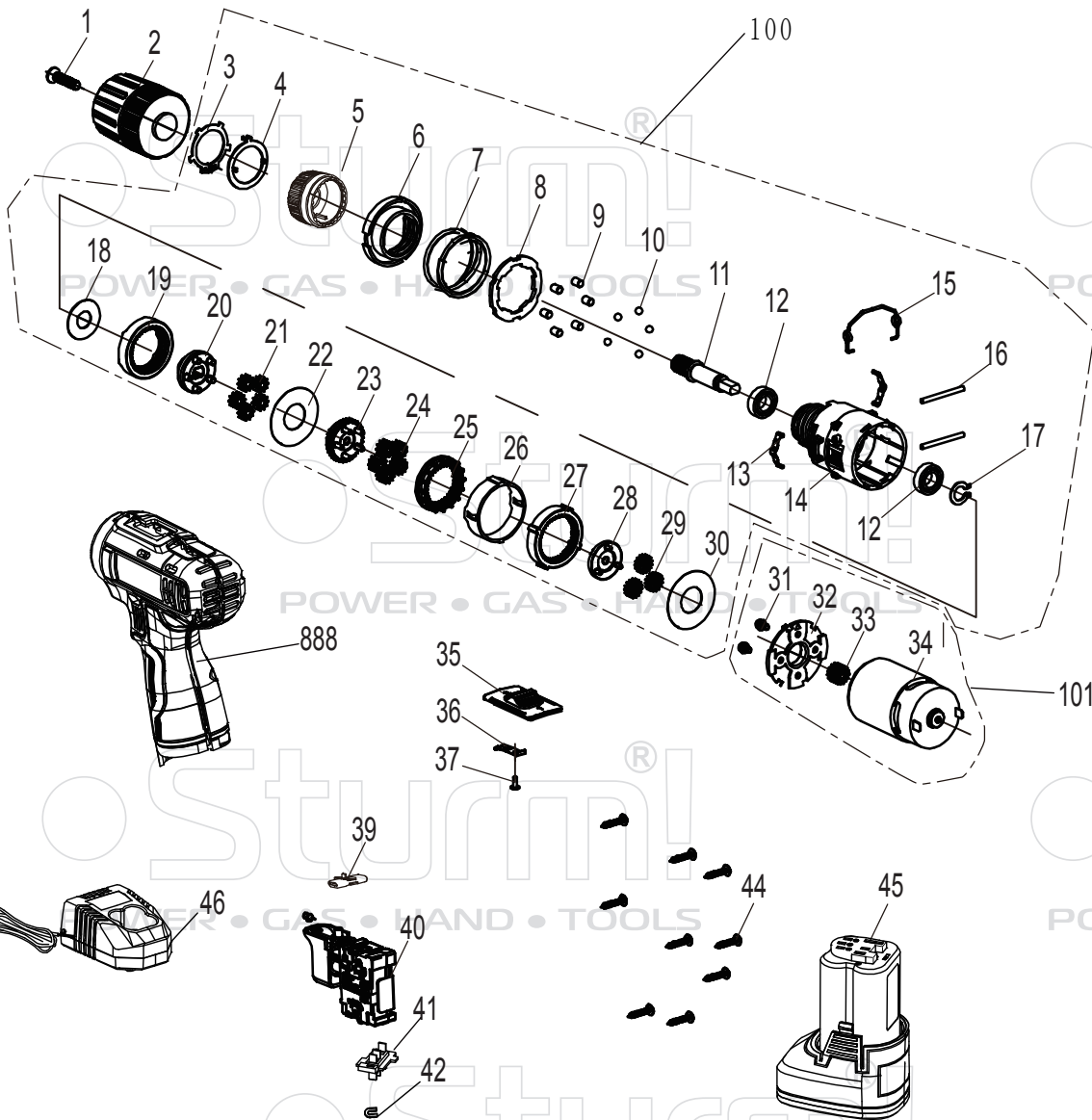


Sturm!
POWER • GAS • HAND • TOOLS

CD3218LE



NO.	DESCRIPTION	NO.	DESCRIPTION
1	CHUCK SCREW	25	MOVING GEAR RING
2	CHUCK	26	GEAR BOX BUSH
3	BIG CIRCLIP	27	UPPER GEAR RING
4	TORQUE ADJUSTMENT PIECE	28	THE FIRST PLANET CARRIER
5	TORQUE ADJUSTMENT RING	29	THE FIRST PLANET GEAR
6	TORQUE ADJUSTMENT NUT	30	WASHER
7	SPRING	31	SCREW
8	BIG WASHER	32	MOTOR COVER
9	PIN	33	MOTOR GEAR
10	STEEL BALL	34	MOTOR
11	SPINDLE	35	TWO SPEED CHANGE BUTTON
12	BEARING 689Z	36	SPRING
13	TORQUE ADJUSTMENT SPRING	37	RIVET
14	GEAR BOX	39	DIRECTION CHANGE LEVEL
15	TWO SPEED CHANGE SPRING	40	SWITCH
16	GEAR BOX PIN	41	BATTERY CONNECTION FOOT
17	CIRCLIP	42	HOUSING BUCKLE
18	WASHER	44	SCREW
19	INNER GEAR RING	45	BATTERY PACK
20	THE THIRD PLANET CARRIER	46	CHARGER
21	THE THIRD PLANET GEAR	100	GEAR BOX ASSEMBLY
22	WASHER	101	MOTOR ASSEMBLY
23	THE SECOND PLANET CARRIER	888	HOUSING ASSEMBLY
24	THE SECOND PLANET GEAR		

UK-ST20160902

POWER • GAS • HAND • TOOLS

Sturm!
POWER • GAS • HAND • TOOLS

Sturm!
POWER • GAS • HAND • TOOLS