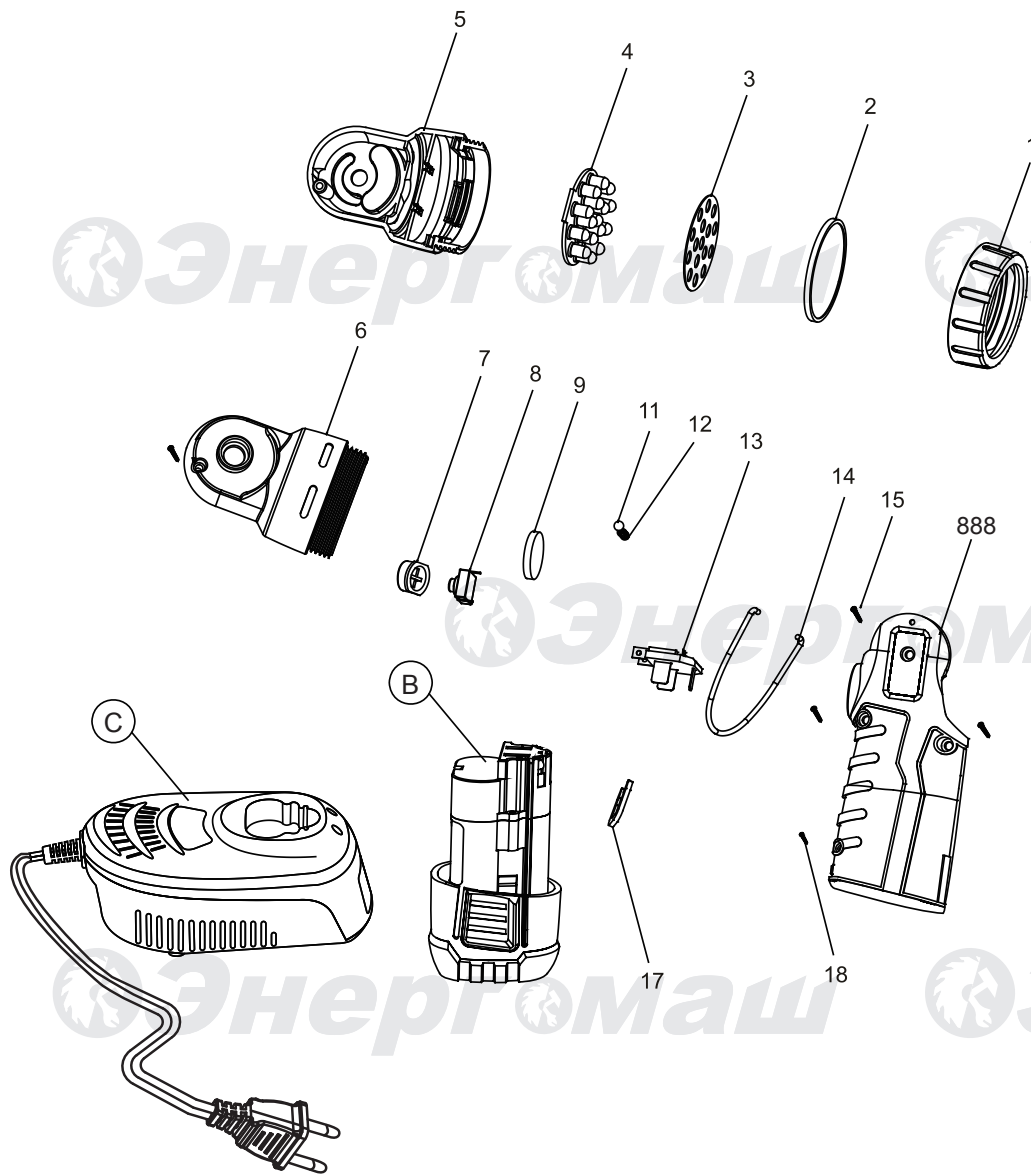


## ДШ-3012С



NO.	DESCRIPTION
1	LENS RETAINER
2	LENS
3	REFLECTOR
4	LED PCB
5	HEAD HOUSING (LEFT)
6	HEAD HOUSING(RIGHT)
7	SWITCH BUTTON
8	SWITCH
9	MAGNETIC BLOCK
11	BALL
12	SPRING
13	CONTACT PLATE
14	HOOK
15	SELF-TAPPING SCREW ST2.9X12
17	CLIP
18	SELF-TAPPING SCREW ST2.5X12
B	BATTERY PACK
C	CHARGER
888	HOUSING ASSEMBLY

EN20121115