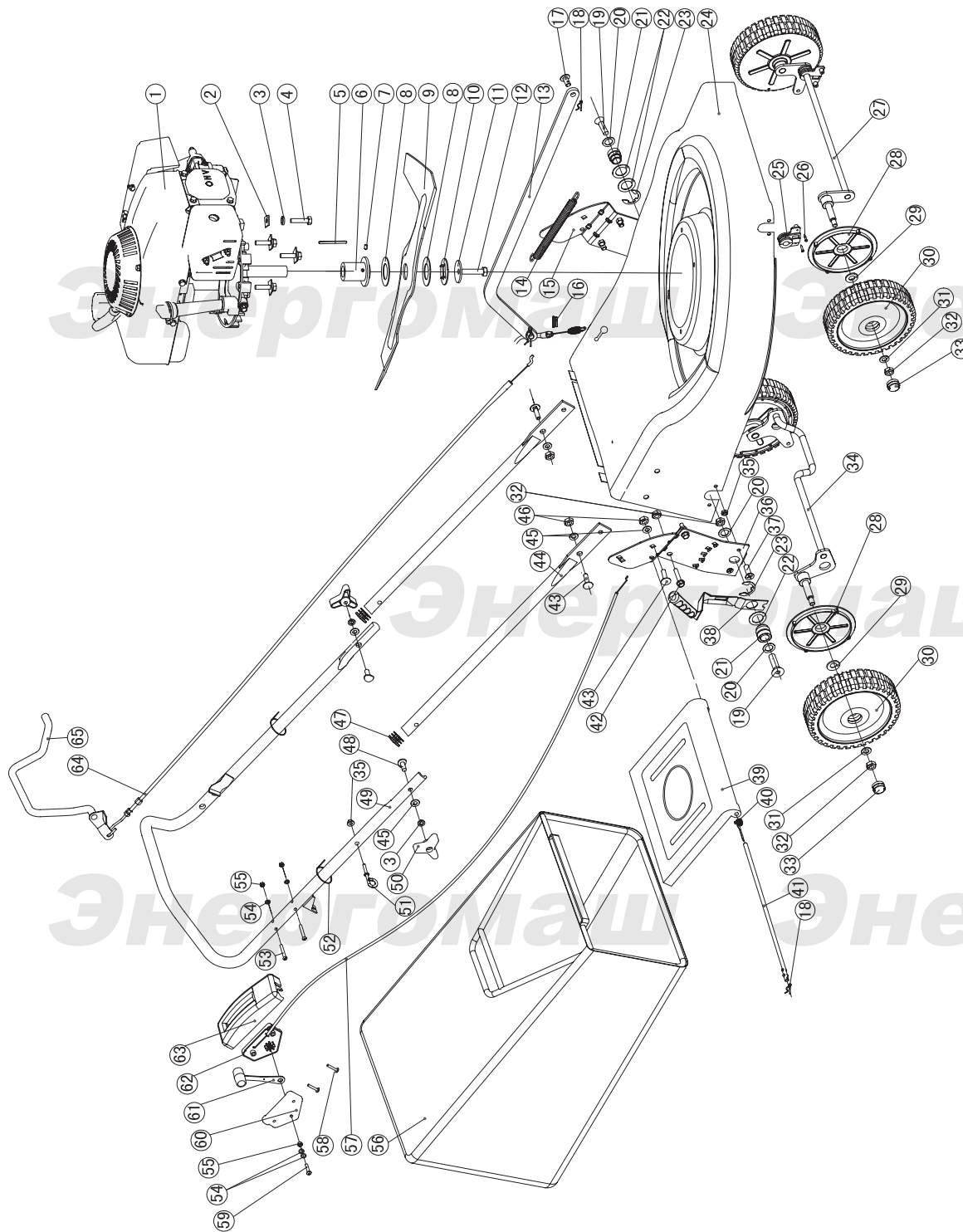
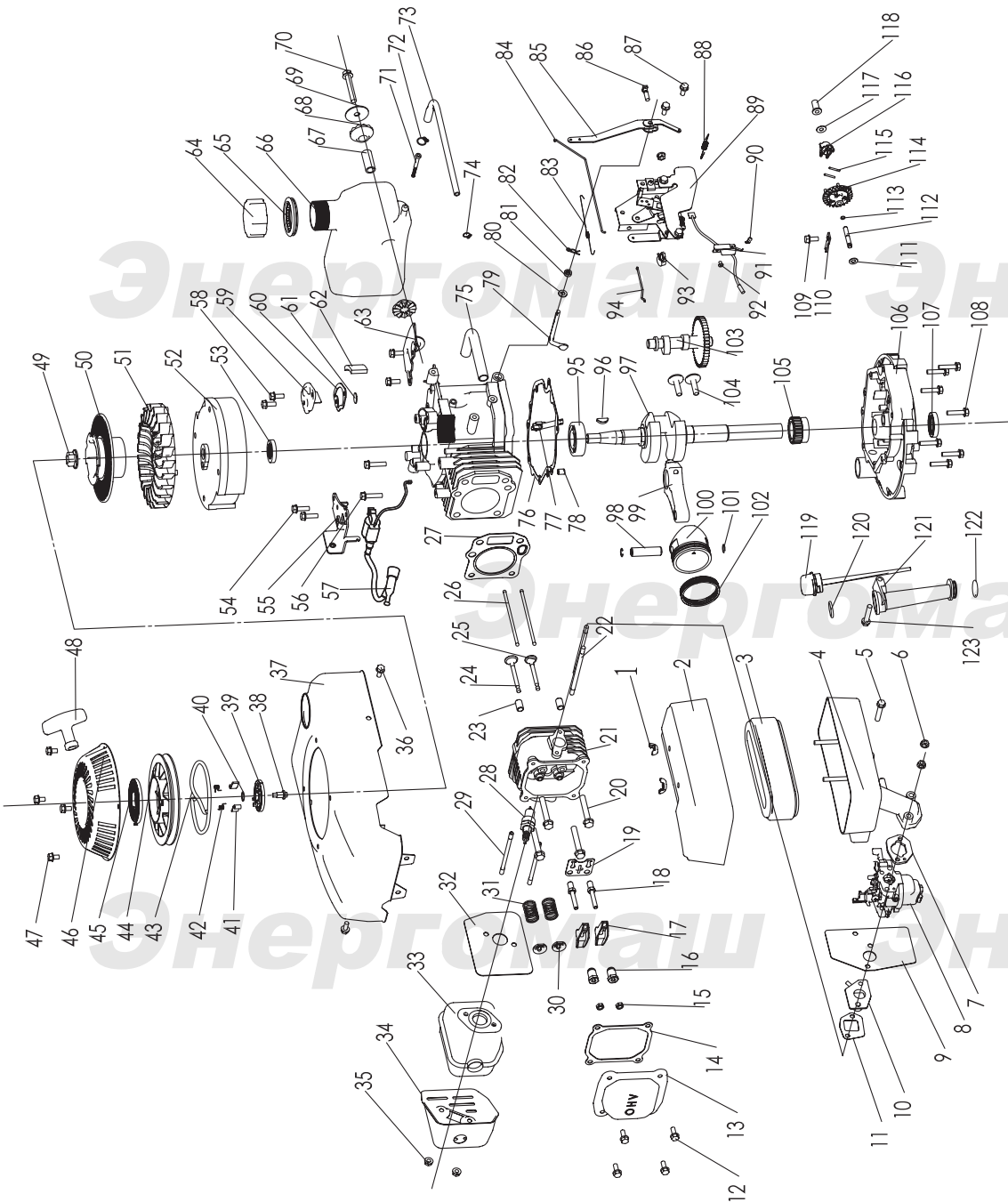


БГК-86450



NO.	DESCRIPTION	NO.	DESCRIPTION
1	ENGINE	34	BACK AXLE MODULE
2	SECTOR GASKET	35	NUT M6
3	SPRING WASHAR	36	RIGHT SUPPORT OF OPREATING GRIP
4	BOLT M8X30	37	BOLT M6X16
5	CALM KEY	38	COMPANIONWAY
6	SHAFT COUPLING	39	CUP OF STRAW-COLLECTING BOX
7	SCREWS WITH CUP POINT	40	LEFT TORSION SPRING
8	BAKELITE GASKET	41	STRAW COLLECTING BOX CAPPING GRIP
9	BLADE	42	BOLT M10X20
10	Π SHAPED GASKET	43	BOLT M8X16
11	SADDLE SHAPED GASKET	44	GRIP SUPPOR
12	BOLT 3/8-24UNF	45	PLAIN WASHER
13	LINK ROD	46	NUT M8
14	LINK ROD TENSION SPRING	47	LATEX BUILD UP
15	LEFT SUPPORT OF OPERATING GRIP	48	OUTER ARCH BOLT
16	LATEX BUILD UP	49	HAND GRIP
17	LINK ROD BOLT	50	HAND WHEEL
18	GIVE DOWEL	51	CORD HOOK
19	BOLT M10X40	52	LINE CLIP
20	GASKET 13X36X1.5	53	SCREW M5X40
21	BACK AXLE BUSH	54	PLAIN WASHER
22	GASKET Ø22.2X36X1.5	55	NUT M5
23	HATCH FILES	56	STRAW COLLECTING SACK
24	ENGINE SUPPORT	57	THROTTLE WIRE MODULE
25	RUBBER BUSH	58	SELF-THREADING SCREW ST3.5X30-C-H
26	SCREW M4X12	59	SCREW M5X25
27	FORE AXLE MODULE	60	SPEED CONTROL RIGHT-PLATE
28	FORE AXLE CUP	61	SPEED CONTROL GRIP
29	GASKET Ø 3X36X2.5	62	SPEED CONTROL LEFT-PLATE
30	WHEEL	63	SPEED CONTROL CAPPING PLATE
31	WHEEL GASKET	64	BRAKE WIRE MODULE
32	NUT M10	65	BLADE CONTROL LEVER
33	WHEEL COVER		

ЭЛЕКТРОДВИГАТЕЛЬ ДЛЯ БГК-86450



NO.	DESCRIPTION	NO.	DESCRIPTION	NO.	DESCRIPTION
1	NUT (AIR CLEANER COVER)	42	RATCHET SPRING	83	THROTTLE RETURN SPRING
2	AIR CLEANER COVER	43	ROPE	84	GOVERNOR ROD
3	AIR CLEANER ELEMENT	44	RECOIL STARTER REEL	85	GOVERNOR ARM
4	AIR CLEANER SEAT COMP	45	STARTER RETURN SPRING	86	GOVERNOR ARM BOLT
5	BOLT M6X35	46	RECOIL STARTER CASE COMP	87	BOLT M6X15
6	NUT M6	47	BOLT M6X8	88	GOVERNOR SPRING
7	AIR CLEANER PACKING	48	GRIP	89	GOVERNOR BASE COMP
8	CARBURETOR	49	SPECIAL NUT	90	SWITCH SPRING
9	CARBURETOR PACKING	50	STARTER PULLEY COMP	91	SWITCH
10	INSULATOR	51	COOLING FAN	92	SCREW M4X6
11	INSULATOR PACKING	52	FLYWHEEL COMP	93	FUEL TUBE CLIP
12	BOLT M6X14	53	OIL SEAL 22X35X6	94	CHOKE PUSH ROD
13	CYLINDER HEAD COVER	54	BOLT M6X21	95	BEARING 20X50X14
14	CYLINDER HEAD COVER GASKET	55	BRAKE COMP	96	KEY
15	PIVOT ADJUSTING NUT	56	BOLT	97	CRANKSHAFT
16	ROCKER ARM PIVOT	57	IGNITER	98	PISTON PIN
17	ROCKER ARM	58	BOLT M6X15	99	CONNECTING ROD COMP
18	PIVOT BOLT	59	BREATHER ROOM COVER	100	PISTON
19	PUSH ROD GUIDE PLATE	60	BREATHER COVER PACKING	101	PIN CLIP
20	BOLT M8X50	61	AIR OUTLET VALVE	102	PISTON RING COMP
21	CYLINDER HEAD COMP	62	DROSS FILTER	103	CAMSHAFT ASSY
22	STUD BOLT	63	FUEL TANK HOLDER	104	VALVE LIFT
23	DOWEL PIN Ø10X16	64	FUEL FILLER CAP COMP	105	TIMING GEAR
24	INTAKE VALVE	65	NECK SEAL	106	CRANK CASE COVER
25	EXHAUST VALVE	66	FUEL TANK	107	OIL SEAL 25X38X7
26	PUSH ROD	67	COLLAR	108	BOLT M6X27
27	CYLINDER HEAD GASKET	68	INSULATOR COLLAR	109	BOLT M6X12
28	SPARK PLUG	69	WASHER	110	PRESSURE PLATE
29	STUD BOLT(EX)	70	BOLT M8X50	111	WASHER 6.4X13X1
30	VALVE SPRING RETAINER	71	FUEL FILTER	112	WEIGHT HOLDER SHAFT
31	VALVE SPRING	72	CLIP	113	CLIP
32	MUFFLER GASKET	73	FUEL TUBE	114	WEIGHT HOLDER
33	MUFFLER	74	CLIP	115	WEIGHT PIN
34	MUFFLER PROTECTOR	75	BREATHER TUBE	116	GOVERNOR WEIGHT
35	NUT M6	76	CASE COVER PACKING	117	WASHER 6.2X15X0.5
36	BOLT M6X12	77	OIL OUTLET TUBE	118	GOVERNOR SLIDER
37	FAN COVER COMP	78	DOWEL PIN Ø8X14	119	OIL FILLER
38	RATCHET GUIDE SCREW	79	GOVERNOR ARM SHAFT	120	O-RING 22.5X2.2
39	RATCHET GUIDE	80	WASHER	121	OIL FILLER SEAT
40	RATCHET GUIDE CLIP	81	OIL SEAL 8X14X5	122	O-RING 25.5X3
41	RATCHET	82	LOCK PIN	123	BOLT