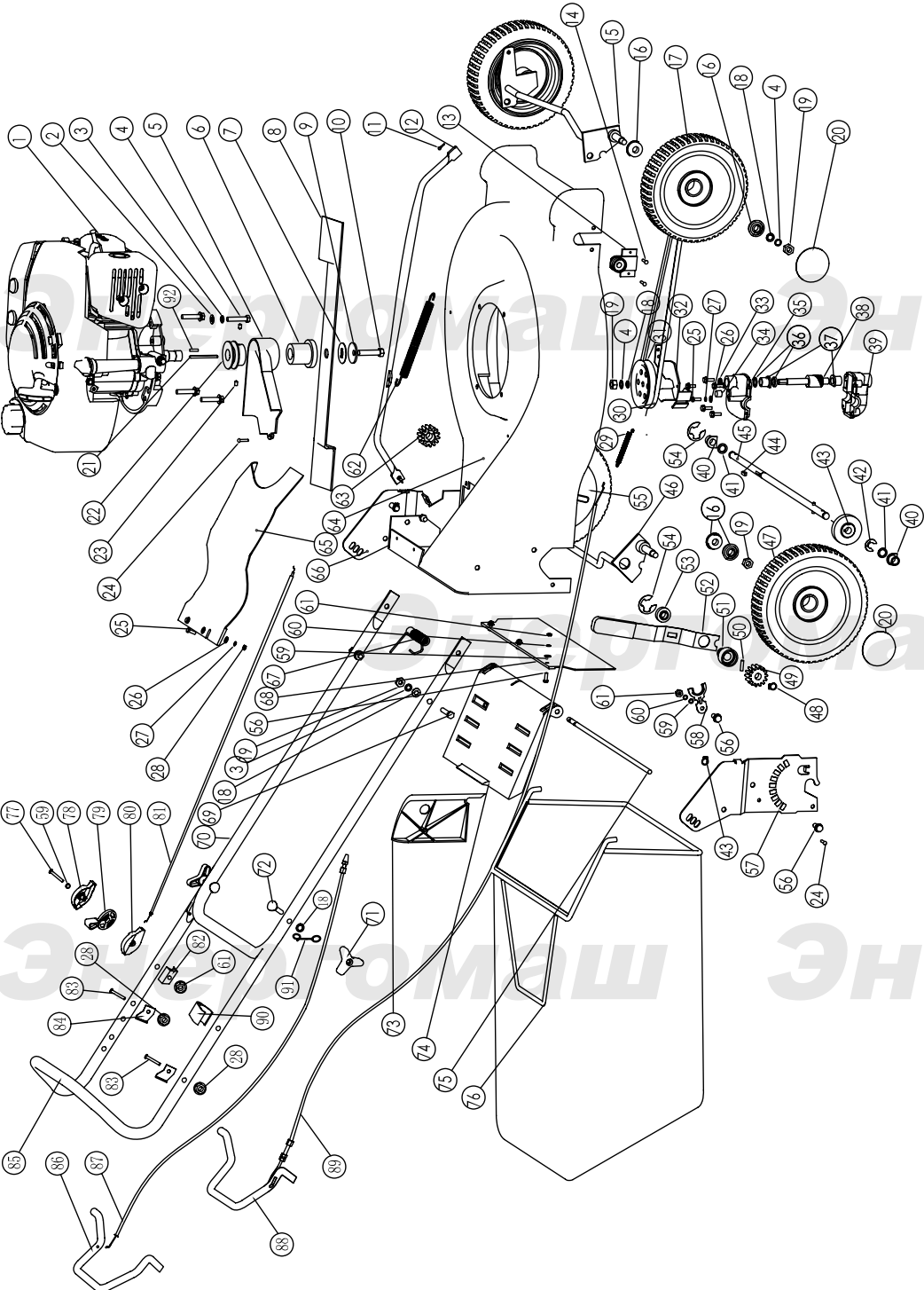
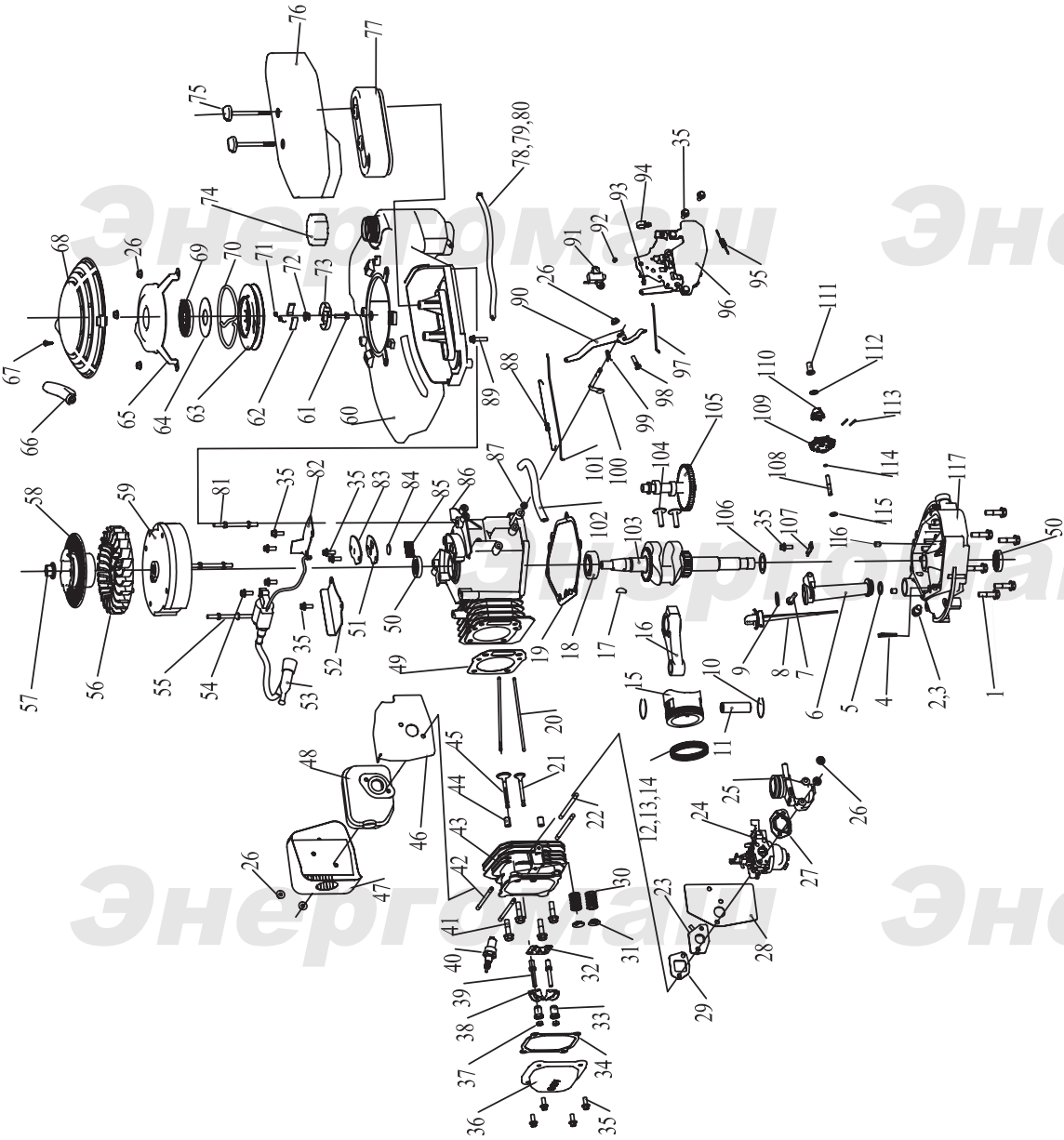


БГК-8660С



NO.	DESCRIPTION	NO.	DESCRIPTION
1	ENGINE	47	BACK WHEEL
2	SECTOR GASKET	48	UNCORK BAFFLE
3	SPRING WASHAR	49	RIGHT DRIVE GEAR WHEEL
4	BOLT M8X35	50	COLUMNIFORM DOWEL
5	LNIITATIVE WHEEL COVER	51	RUBBER BUSH
6	SHAFT COUPLING	52	LIFTING ARM
7	BAKELITE GASKET	53	LINING
8	BLADE	54	UNCORK BAFFLE
9	SADDLE SHAPED GASKET	55	AXLE CUP
10	BOLT M8X1.25X45	56	BOLT M6X15
11	PIN5X20	57	RIGHT ROPREATING GRIP
12	LINK ROD	58	SUPPORT BOARD
13	RUBBER BUSH	59	PLAIN WASHER
14	SELF-THREADING SCREW	60	SPRING WASHAR
15	FORE AXLE MODULE	61	NUT M6
16	BEARING	62	LINK ROD TENSION SPRING
17	FRONT WHEEL	63	DRIVE GEAR WHEEL
18	PLAIN WASHER	64	ENGINE SUPPORT
19	NUT M8	65	LNIITATIVE WHEEL COVER
20	WHEEL AXLE CUP	66	LEFT OPREATING GRIP
21	CALM KEY	67	TORSION SPRING
22	LNIITATIVE WHEEL	68	DUST GUARD
23	SCREWS WITH CUP POINT	69	BOLT M8X45
24	SELF-THREADING SCREW	70	GRIP SUPPOR
25	BOLT M5X15	71	HAND WHEEL
26	PLAIN WASHER	72	BOLT M8X50
27	SPRING WASHAR	73	GUIDE PLATE
28	NUT M5	74	CUP OF STRAW COLLECTING BOX
29	SELF-SUFFICIENCY SPRING	75	SUPPORT AXLE
30	SELF-SUFFICIENCY STRAP	76	STRAW-COLLECTING BOX
31	DRIVEN WHEEL	77	BOLT M6X35
32	WHEEL AXLE CUP	78	SPEED CONTROL LEFT-PLATE
33	OIL SEAL	79	SPEED CONTROL GRIP
34	PLUG OF ALUMINIUM	80	SPEED CONTROL RIGHT-PLATE
35	GEAR-BOX ASCENDING COVER	81	THROTTLE WIRE MODULE
36	BEARING	82	THROTTLE WIRE MODULE HOLDER
37	RUBBER BUSH	83	BOLT M5X32
38	WORM	84	BRANK LEVER HOLDER
39	GEAR-BOX BELOW COVER	85	HAND GRIP
40	RUBBER BUSH	86	BLADE CONTROL LEVER
41	GASKET	87	BRAKE WIRE MODULE
42	RETAIN PIN	88	DRIVE CLUTCH LEVER
43	WORM WHEEL	89	DRIVE CLUTCH WIRE
44	WOODRUFF KEY 4X16	90	BRAKE WIRE MODULE HOLDER
45	WORM WHEEL AXES	91	CORD HOOK
46	BACK AXLE MODULE	92	WOODRUFF KEY 4X16

ЭЛЕКТРОДВИГАТЕЛЬ ДЛЯ БГК-8660С



NO.	DESCRIPTION	NO.	DESCRIPTION	NO.	DESCRIPTION
1	FLANGE BOLT M8X50	41	FLANGE BOLT M8X50	81	STARTER BOLT <II>
2	DRAIN PLUG BOLT	42	BOLT M6X96.5	82	SHROUD <I>
3	DRAIN PLUG WASHER	43	CYLINDER HEAD COMP	83	VENTILATOR COVER
4	FLASHBOARD	44	DOWEL PIN 10X16	84	BOARD
5	"O" RING 22.5X2.2	45	IN. VALVE	85	DROSS FILTER
6	OIL FILLER SEAT	46	MUFFLER GASKET	86	CRANKCASE ASSY
7	FLANGE BOLT M6X35	47	MUFFLER PROTECTOR COMP	87	OIL SEAL 6X11X4
8	OIL FILLER CAP ASSY	48	MUFFLER GASKET	88	THROTTLE RETURN SPRING
9	"O" RING 25.5X3	49	CYLINDER HEAD GASKET	89	BOLT M6X35
10	PISTON PIN CLIP	50	OIL SEAL 25X38X7	90	GOVERNOR ARM
11	PISTON PIN	51	PACKING	91	SWITCH
12	FIRST RING SET	52	SHROUD <II>	92	BOLT
13	SECOND RING SET	53	IGNITER	93	CLIP
14	OIL RING SET COMP	54	FLANGE BOLT M6X29	94	CLIP
15	PISTON	55	STARTER BOLT <I>	95	GOVERNOR SPRING
16	CONNECTING ROD ASSY	56	COOLING FAN	96	CONTROL ASSY
17	CIRCULAR KEY	57	SPECIAL NUT M14	97	CHOKE ROD
18	RADIAL BALL BEARING	58	STARTER PULLEY COMP	98	GOVERNOR ARM BOLT
19	CASE COVER PACKING	59	FLYWHEEL COMP	99	PIN CLIP
20	PUSH ROD	60	FAN COVER COMP	100	COVER ARM SHAFT
21	EX. VALVE	61	RATCHET GUIDE BOLT	101	GOVERNOR ROD
22	BOLT M6X113	62	RATCHET	102	BREATHER TUBE
23	CARBURETOR INSULATOR	63	RECOIL STARTER REEL	103	CRANKSHAFT COMP
24	CARBURETOR ASSY	64	WASHER	104	VALVE LIFTER
25	INTAKE PIPE ASSY	65	RECOIL STARTER CASE COMP	105	CAMSHAFT ASSY
26	NUT M6	66	GRIP	106	CRANKSHAFT COMP WASHER
27	AIR CLEANER PACKING	67	BOLT	107	PRESSURE PLATE
28	CARBURETOR PACKING	68	RECOIL STARTER CASE COMP CAP	108	GOVERNOR SHAFT
29	INSULATOR PACKING	69	STARTER RETURN SPRING	109	GOVERNOR WEIGHT HOLDER
30	VALVE SPRING	70	RECOIL STARTER ROPE	110	GOVERNOR WEIGHT
31	VALVE SPRING RETAINER	71	RATCHET SPRING	111	GOVERNOR SLIDER
32	PUSH ROD GUIDE PLATE	72	RATCHET GUIDE SPRING	112	WASHER 6.2X15X0.5
33	ROCKET ARM PIVOT	73	RATCHET GUIDE	113	GOVERNOR WEIGHT PIN
34	HEAD COVER COMP	74	FUEL FILLER CAP COMP	114	CLIP
35	FLANGE BOLT M6X12	75	AIR CLEANER BOLT	115	WASHER 6.4X13X1
36	HEAD COVER COMP	76	AIR CLEANER ELEMENT	116	DOWEL PIN 8X14
37	PIVOT ADJUSTING NUT	77	AIR CLEANER COVER	117	CRANKCASE COVER
38	VALVE ROCKER ARM	78	FUEL TUBE		
39	PIVOT BOLT	79	TUBE CLIP		
40	SPARK PLUG	80	TUBE CLIP		