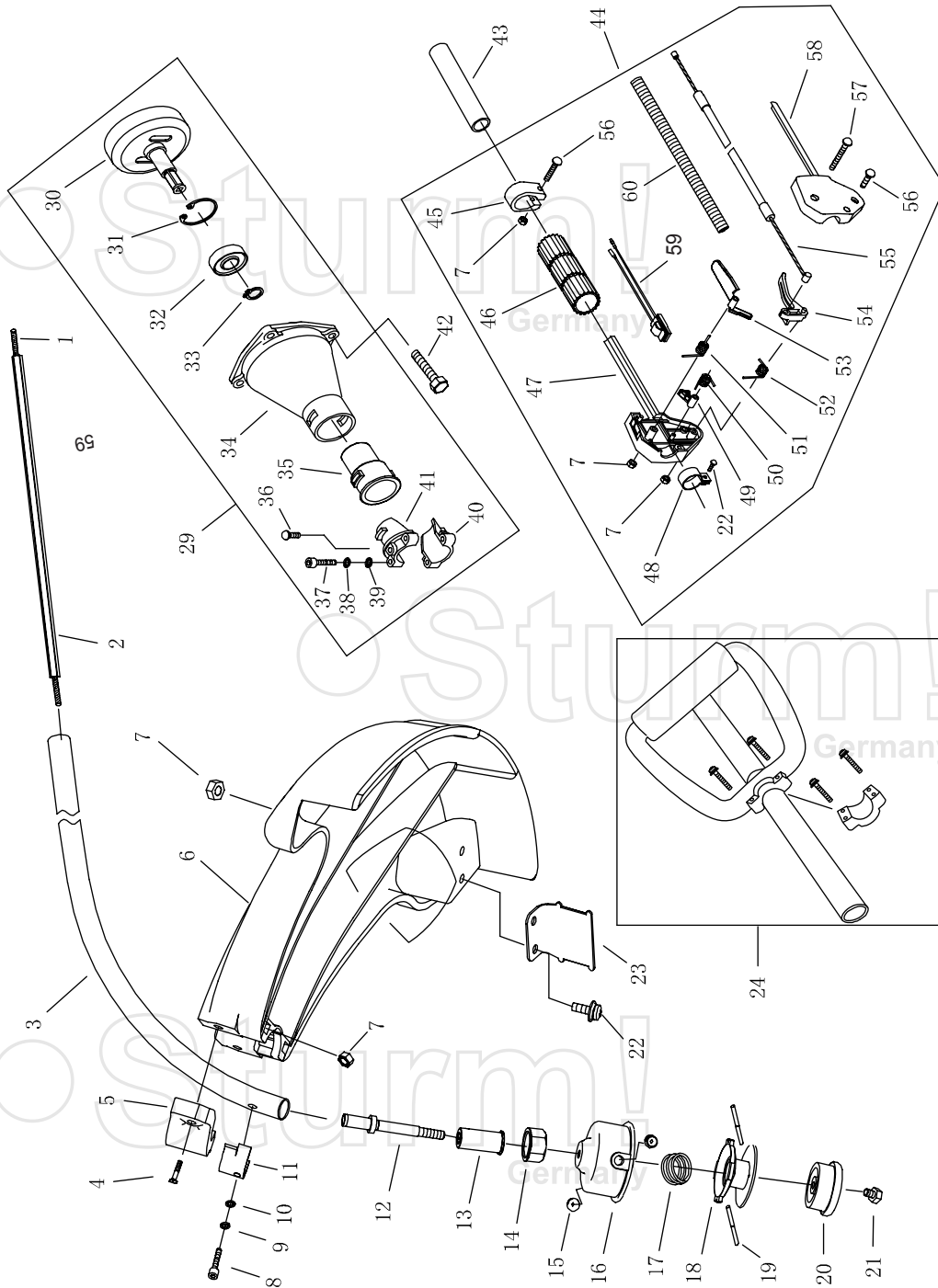
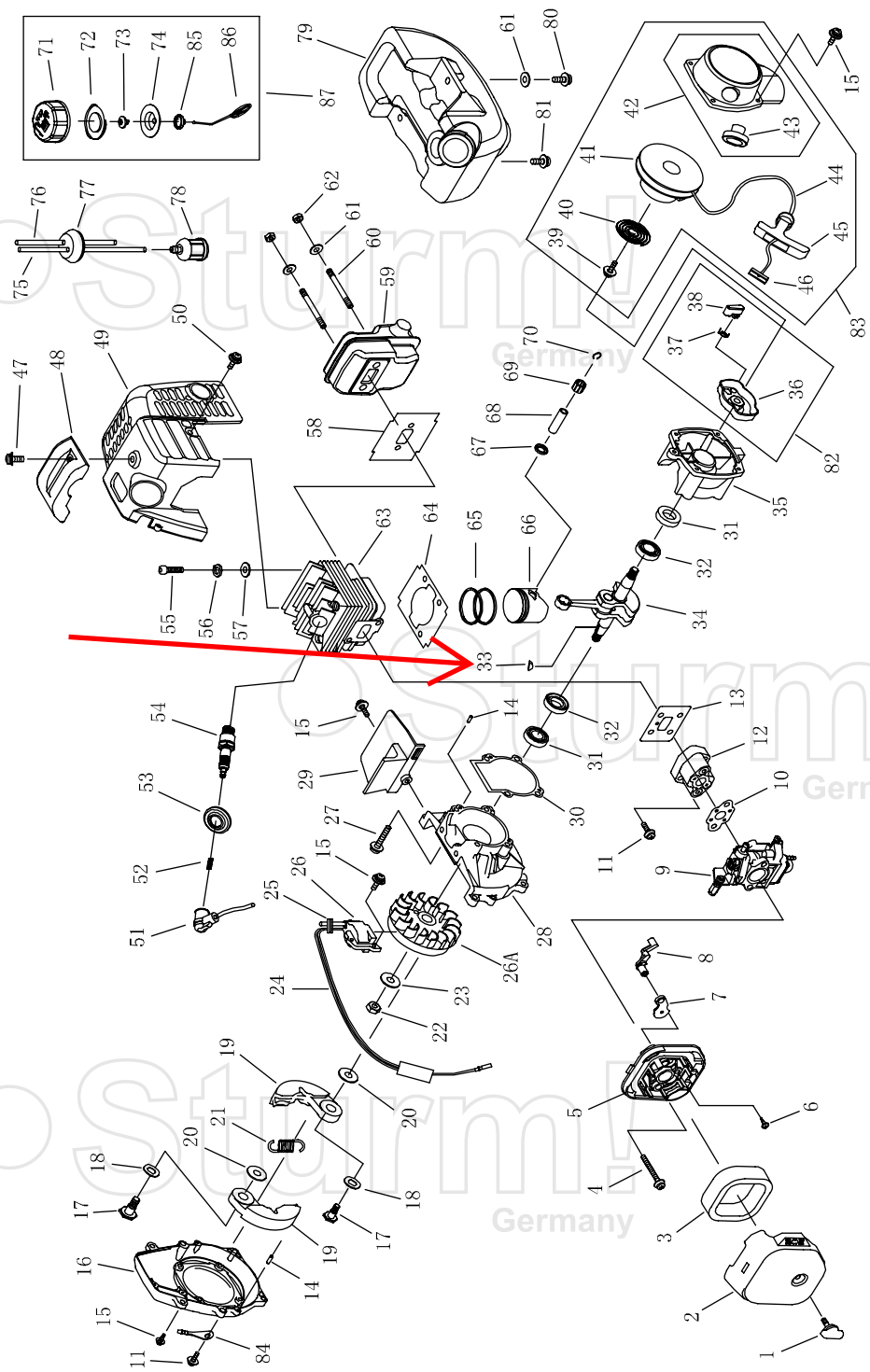


# BT8926L

| NO. | DESCRIPTION    | NO. | DESCRIPTION         | NO. | DESCRIPTION    |
|-----|----------------|-----|---------------------|-----|----------------|
| 1   | FLEXIBLE SHAFT | 21  | NUT                 | 45  | CLAMP          |
| 2   | BRACKET        | 22  | SCREW M5X16         | 46  | RUBBER COVER   |
| 3   | PIPE           | 23  | BLADE               | 47  | BOX,RIGHT      |
| 4   | SCREW M5X25    | 24  | HOLDER ASS'Y        | 48  | CLAMP          |
| 5   | HOLDER         | 29  | CLUTCH COMP         | 49  | TINE           |
| 6   | SAFETY GUARD   | 30  | CLUTCH DRUM COMP.   | 50  | SPRING         |
| 7   | NUT M5         | 31  | STOP RING           | 51  | SPRING         |
| 8   | SCREW M5X8     | 32  | BEARING 6202-2RS/P6 | 52  | SPRING         |
| 9   | WASHER         | 33  | STOP RING           | 53  | SAFETY LEVER   |
| 10  | WASHER         | 34  | LINKER              | 54  | THROTTLE LEVER |
| 11  | BRACKET        | 35  | RUBBER COVER        | 55  | CABLE COMP     |
| 12  | SCREW          | 36  | SCREW               | 56  | SCREW M5X25    |
| 13  | COVER          | 37  | SCREW               | 57  | SCREW M5X25    |
| 14  | NUT            | 38  | WASHER              | 58  | BOX,LEFT       |
| 15  | ROPE COVER     | 39  | WASHER              | 59  | STOP SWITCH    |
| 16  | ROPER HOLDER   | 40  | CLAMP               | 60  | TUBE           |
| 17  | SPRING         | 41  | CLAMP A             |     |                |
| 18  | ROPE SUPPORT   | 42  | SCREW M6X20         |     |                |
| 19  | NYLON ROPE     | 43  | BUSH                |     |                |
| 20  | CASE           | 44  | LEVER ASS'Y         |     |                |

RU61227-1





## ENGINE FOR BT8926L

| NO. | DESCRIPTION           | NO. | DESCRIPTION          | NO. | DESCRIPTION          |
|-----|-----------------------|-----|----------------------|-----|----------------------|
| 1   | SCREW                 | 30  | CRANK CASE GASKET    | 60  | BOLT                 |
| 2   | CLEANER OUTSIDE COVER | 31  | OIL SEAL             | 61  | WASHER               |
| 3   | CLEANER ELEMENT       | 32  | BALL BEARING 6001/P5 | 62  | NUT M5               |
| 4   | SCREW M5X55           | 33  | KEY                  | 63  | CYLINDER             |
| 5   | CLEANER INSIDE COVER  | 34  | CRANK SHAFT COMP     | 64  | CYLINDER WASHER      |
| 6   | SCREW ST4.2X12-F-H    | 35  | REAR HALF CRANK CASE | 65  | PISTON RING          |
| 7   | CHOKE                 | 36  | STARTER PULLEY ASS'Y | 66  | PISTON               |
| 8   | CHOKE HANDLE          | 37  | STARTER PAWL SPRING  | 67  | STOP RING            |
| 9   | CARBURETOR            | 38  | STARTER PAWL         | 68  | PISTON PIN           |
| 10  | GASKET                | 39  | SCREW M5X10          | 69  | NEEDLE BEARING       |
| 11  | SCREW M5X20           | 40  | RECOIL SPRING        | 70  | PISTON PIN CIRCLLET  |
| 12  | INLET MANIFOLD        | 41  | STARTER ROPE REEL    | 71  | FUEL TANK LID        |
| 13  | CYLINDER WASHER       | 42  | RECOIL STARTER BODY  | 72  | GASKET               |
| 14  | PIN                   | 43  | ROPE GUIDE           | 73  | AIRINLET MOUTH       |
| 15  | SCREW M4X16           | 44  | ROPE                 | 74  | INSIDE COVER         |
| 16  | FAN COVER             | 45  | STARTER HANDLE       | 75  | OUTLET FUEL PIPE     |
| 17  | CLUTCH STEP SCREW     | 46  | GASKET               | 76  | INLET FUEL PIPE      |
| 18  | WASHER                | 47  | SCREW M5X14          | 77  | PRIMARY CORD GROMMET |
| 19  | CLUTCH SHOE COMP.     | 48  | COVER                | 78  | CLEANER              |
| 20  | WASHER                | 49  | COVER                | 79  | FUEL TANK            |
| 21  | CLUTCH SPRING         | 50  | SCREW M4X12          | 80  | SCREW M5X16          |
| 22  | NUT M8X1              | 51  | PLUG CAP             | 81  | SCREW M5X16          |
| 23  | WASHER                | 52  | CLICK SPRING         | 82  | STARTER PULLEY ASS'Y |
| 24  | STOP CORD COMP.       | 53  | PLUG COVER           | 83  | STARTER              |
| 25  | PRIMARY CORD GROMMET  | 54  | SPARK PLUG           | 84  | FLASH PAN            |
| 26  | MAGNETO STATOR        | 55  | SCREW M5X20          | 85  | LID                  |
| 26A | MAGNETO ROTOR         | 56  | WASHER               | 86  | CHAIN                |
| 27  | SCREW M5X25           | 57  | WASHER               | 87  | FUEL TANK LID COMP.  |
| 28  | FRONT HALF CRANK CASE | 58  | GASKET               |     |                      |
| 29  | GUIDE PLATE           | 59  | MUFFLER COMP.        |     |                      |

RU61227-1

Sturm!  
Germany