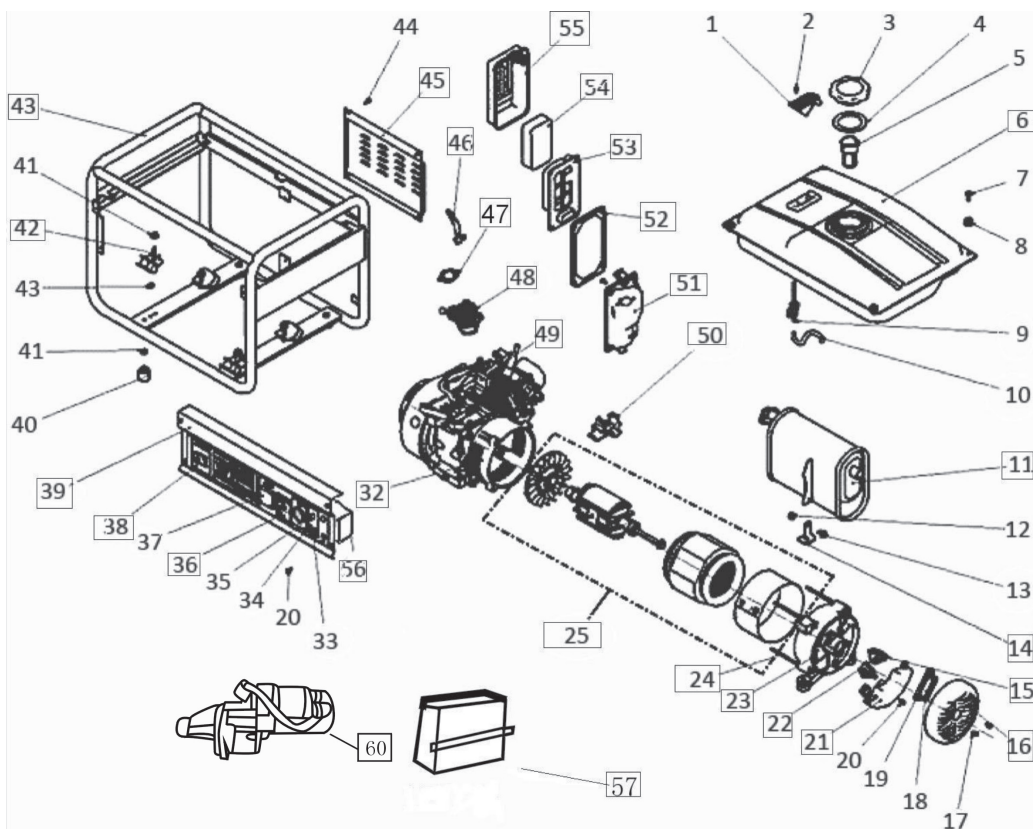
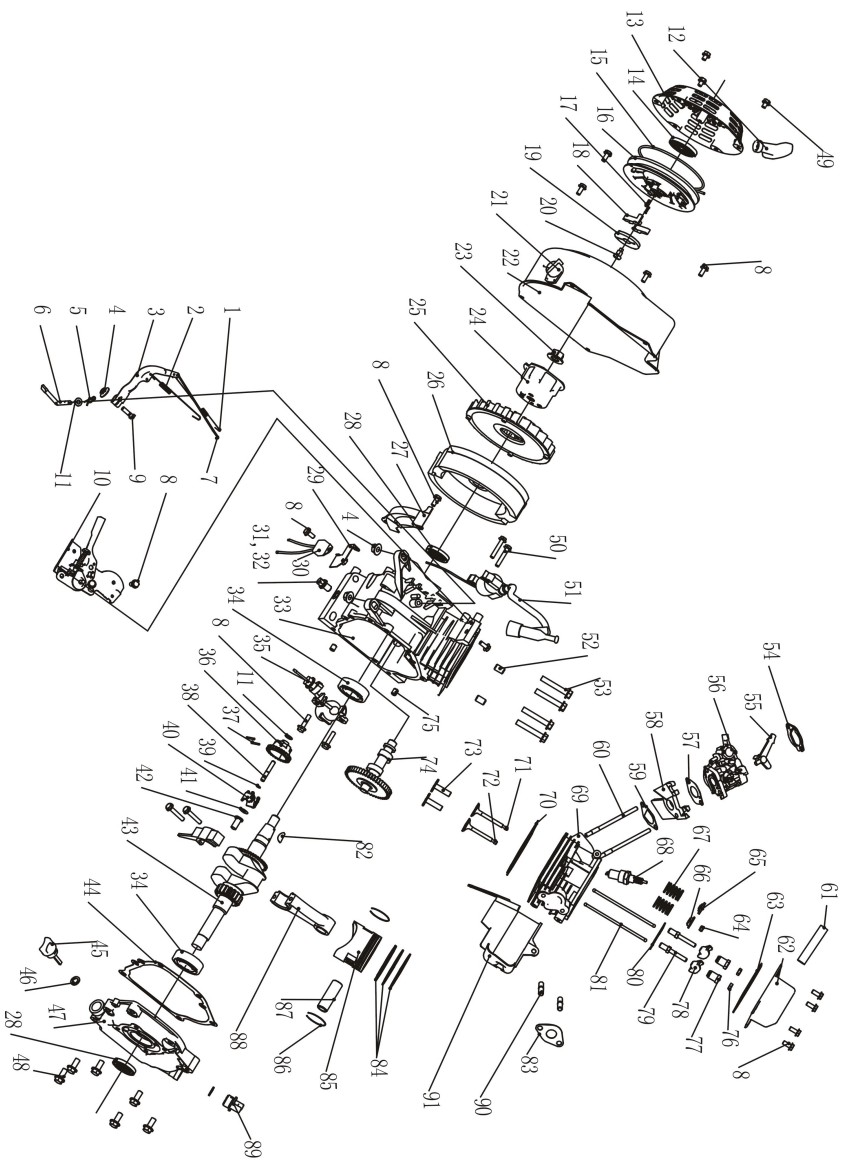


## ЭГ-87230Е



1	oil level gage	33, 39	panel
2	screw (5*10MM)	34	lamp +, -
3	fuel tank cap	35	fuse
4	gasket of fuel tank cap	36	overload protector (2.5KW)
5	fuel filter	37	voltmeter
6	fuel tank (15L)	38	ON/OFF switch (key starter)
7	screw of fuel tank	40	shockproof foot
8	shock gasket of fuel tank	41	screw (M8)
9	fuel control valve	42	bottom rubber
10	fuel pipe	43	frame (2.5kw)
11	liner of muffler	44	screw of muffler cover (M6*12)
12	screw of muffler (M6*12, M8*16)	45	168 muffler cover
13	screw of muffler (M6*12, M8*16)	46	lever carburetor
14	muffler bracket	47	168 gasket of carburetor
15	bracket (carbon brushes)	48	168 carburetor
16	real cover	49	168 high voltage set
17	screw of real cover	50	insulator carburetor
18	terminal	51	168 plate of air clerner
19	screw (M8*4)	52	168 gasket of air cleaner
20	screw of AVR (M5*12)	53	168 inner core of air cleaner
21	AVR (2.5kw)	54	168 air cleaner filter
22	bracket	55	168 cover of air clerner
23	screw of bracket (M6*155)	56	168 panel cover
24	alternator	57	battery
32	engine assembly	60	motor

## ENGINE FOR 3Г-87230E



No.	DESCRIPTION	No.	DESCRIPTION	No.	DESCRIPTION
1	170 THROTTLE RETURN SPRING	41	170 GOVERNOR SHAFT WASHER	81	170 PUSH ROD
2	170 GOVERNOR SPRING	42	170 GOVERNOR COVER	82	170 KEY
3	170 GOVERNOR ARM	43	170 CRANKSHAFT COMP	83	170 MUFFLER PACKING
4	170 NUT M6	44	170 CASE OVER PACKING	84	170 FIRST RING SET
5	170 LOCK PIN	45	170 OIL FILLER CAP ASSEMBLY		170 SECOND RING SET
6	170 GOVERNOR ARM SHAFT	46	170 OIL FILLER CAP PACKING		170 RING COMP
7	170 GOVERNOR ROD	47	170 CRANKCASE COVER	85	170 PISTON
8	170 FLANGE BOLT M6*12	48	170 FLANGE BOLT 8*32	86	170 PISTON PIN CLIP
9	170 GOVERNOR ARM BOLT	49	170 FLANGE BOLT 6*8	87	170 PISTON PIN
10	170 CONTROL ASSEMBLY	50	170 FLANGE BOLT 6*25	88	170 CONNECTING ROD COMP
11	170 GOVERNOR WASHER	51	170 IGNITOR	89	170 OIL FILLER CAP
12	170 RECOIL STARTER KNOB	52	170 DOWEL PIN 10*16	90	170 STUD BOLT
13	170 RECOIL STARTER COMP	53	170 FLANGE BOLT 8*55	91	170 SHROUD COMP
14	170 RECOIL STARTER SPRING	54	170 CARBURETOR WASHER		
15	170 RECOIL STARTER ROPE	55	170 CHOKE LEVEL COMP		
16	170 RECOIL STARTER REEL	56	170 CARBURETOR ASSEMBLY		
17	170 RETURN SPRING	57	170 CARBURETOR PACKING		
18	170 STARTER RATCHET	58	170 CARBURETOR INSULATOR		
19	170 RATCHET GUIDE	59	170 INSULATOR PACKING		
20	170 SETTING SCREW	60	170 STUD BOLT 6*113		
21	170 SWITCH	61	170 BREATHER TUBE		
22	170 FAN COVER COMP	62	170 HEAD OVER COMP		
23	170 NUT M14	63	170 HEAD OVER PACKING		
24	170 START HUB	64	170 VALVE ROTATOR		
25	170 COOLING FAN	65	170 INTAKE VALVE SPRING RETAINER		
26	170 FLY WHEEL (ELECTRONIC)	66	170 EXHAUST VALVE SPRING RETAINER		
27	170 SIDE PLACE	67	170 VALVE SPRING		
28	170 OIL SEAL	68	170 SPARK PLUG		
29	170 DIODE BASE COMP	69	170 CYLINDER HEAD COMP		
30	170 DIODE COMP	70	170 CYLINDER HEAD GASKET		
31	170 DRAIN PLUG BOLT	71	170 INTAKE VALVE		
32	170 DRAIN BOLT WASHER	72	170 EXHAUST VALVE		
33	170 CRANKCASE	73	170 VALVE LIFTER		
34	170 RADIAL BALL BEARING 6205	74	170 CAMSHAFT ASSEMBLY		
35	170 OIL LEVEL SWITCH ASSY	75	170 DOWEL PIN 8*14		
36	170 GOVERNOR WEIGHT HOLDER	76	170 PIVOT ADJUSTING NUT		
37	170 GOVERNOR WEIGHT PIN	77	170 ROCKER ARM PIVOT		
38	170 GOVERNOR SHAFT	78	170 VALVE ROCKER ARM		
39	170 GOVERNOR HOLDER CLIP	79	170 PIVOT BOLT		
40	170 GOVERNOR WEIGHT	80	170 PUSH ROD GUIDE PLATE		