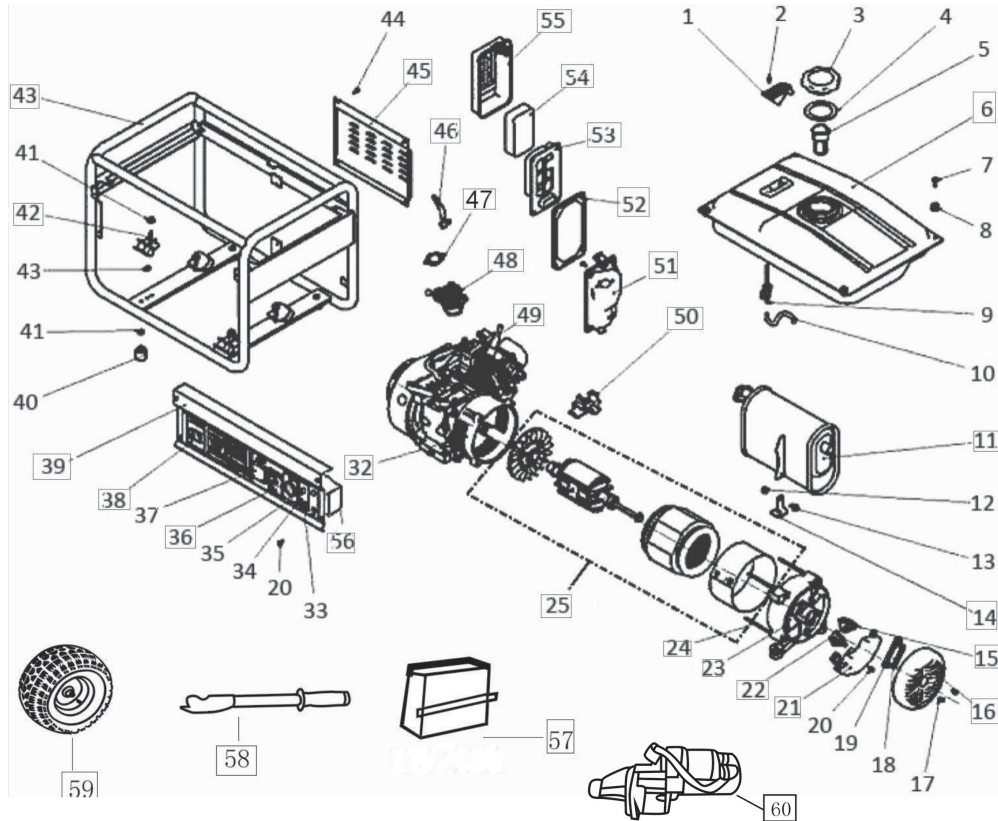


## ЭГ-8725Е



1	oil level gage	34	lamp +, -
2	screw (5*10MM)	35	fuse
3	fuel tank cap	36	overload protector(5.0KW)
4	gasket of fuel tank cap	37	voltmeter
5	fuel filter	38	ON/OFF switch (key starter)
6	fuel tank (25L)	40	shokproof foot
7	screw of fuel tank	41	screw (M8)
8	shock gasket of fuel tank	42	bottom rubber
9	fuel control valve	43	frame (5.0kw)
10	fuel pipe	44	screw of muffler cover (M6*12)
11	liner of muffler	45	188 muffler cover
12	screw of muffler (M6*12, M8*16)	46	lever carburetor
13	screw of muffler (M6*12, M8*16)	47	188 gasket of carburetor
14	muffler bracket	48	188 carburetor
15	bracket (carbon brushes)	49	188 high voltage set
16	real cover	50	insulator carburetor
17	screw of real cover (M5*12)	51	188 plate of air clerner
18	terminal	52	188 gasket of air cleaner
19	screw (M8*4)	53	188 inner core of air cleaner
20	screw of AVR	54	188 air cleaner filter
21	AVR (5.0kw)	55	188 cover of air clerner
22	bracket	56	188 panel cover
23	screw of bracket (M6*180)	57	battery
24	alternator	58, 59	handels+wheels
32	engine assembly (5.0kw)	60	motor
33, 39	panel		

