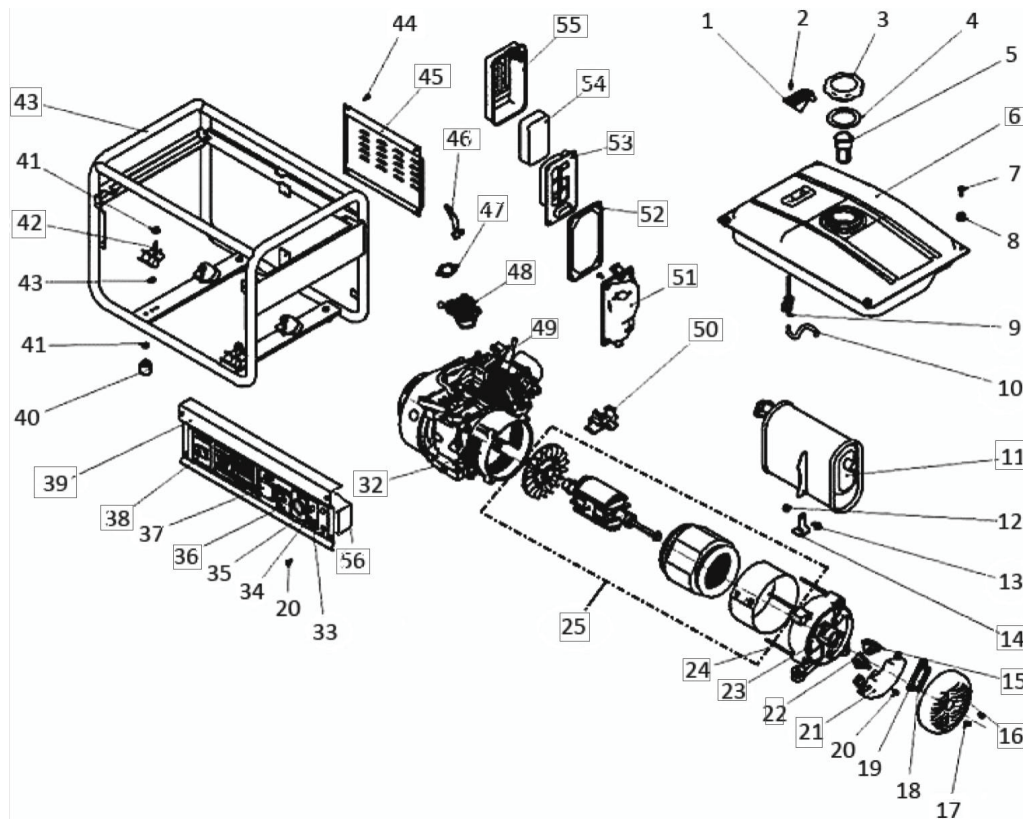


## ЭГ-87255



1	oil level gage	32	engine assembly (5.0kw)
2	screw (5*10MM)	33, 39	panel
3	fuel tank cap	34	larpmp +, -
4	gasket of fuel tank cap	35	fuse
5	fuel filter	36	overload protector(5.0KW)
6	fuel tank (25L)	37	voltmeter
7	screw of fuel tank	38	ON/OFF switch (recoil starter)
8	shock gasket of fuel tank	40	shokproof foot
9	fuel control valve	41	screw(M8)
10	fuel pipe	42	bottom rubber
11	liner of muffler	43	frame (5.0kw)
12	screw of muffler (M6*12, M8*16)	44	screw of muffler cover(M6*12)
13	screw of muffler (M6*12, M8*16)	45	188 muffler cover
14	muffler bracket	46	lever carburetor
15	bracket(carbon brushes)	47	188 gasket of carburetor
16	real cover	48	188 carburetor
17	screw of real cover	49	188 high voltage set
18	terminal	50	insulator carburetor
19	screw (M8*4)	51	188 plate of air clerner
20	screw of AVR(M5*12)	52	188 gasket of air cleaner
21	AVR (5.0kw)	53	188 inner core of air cleaner
22	bracket	54	188 air cleaner filter
23	screw of bracket(M6*180)	55	188 cover of air clerner
24	alternator	56	188 panel cover