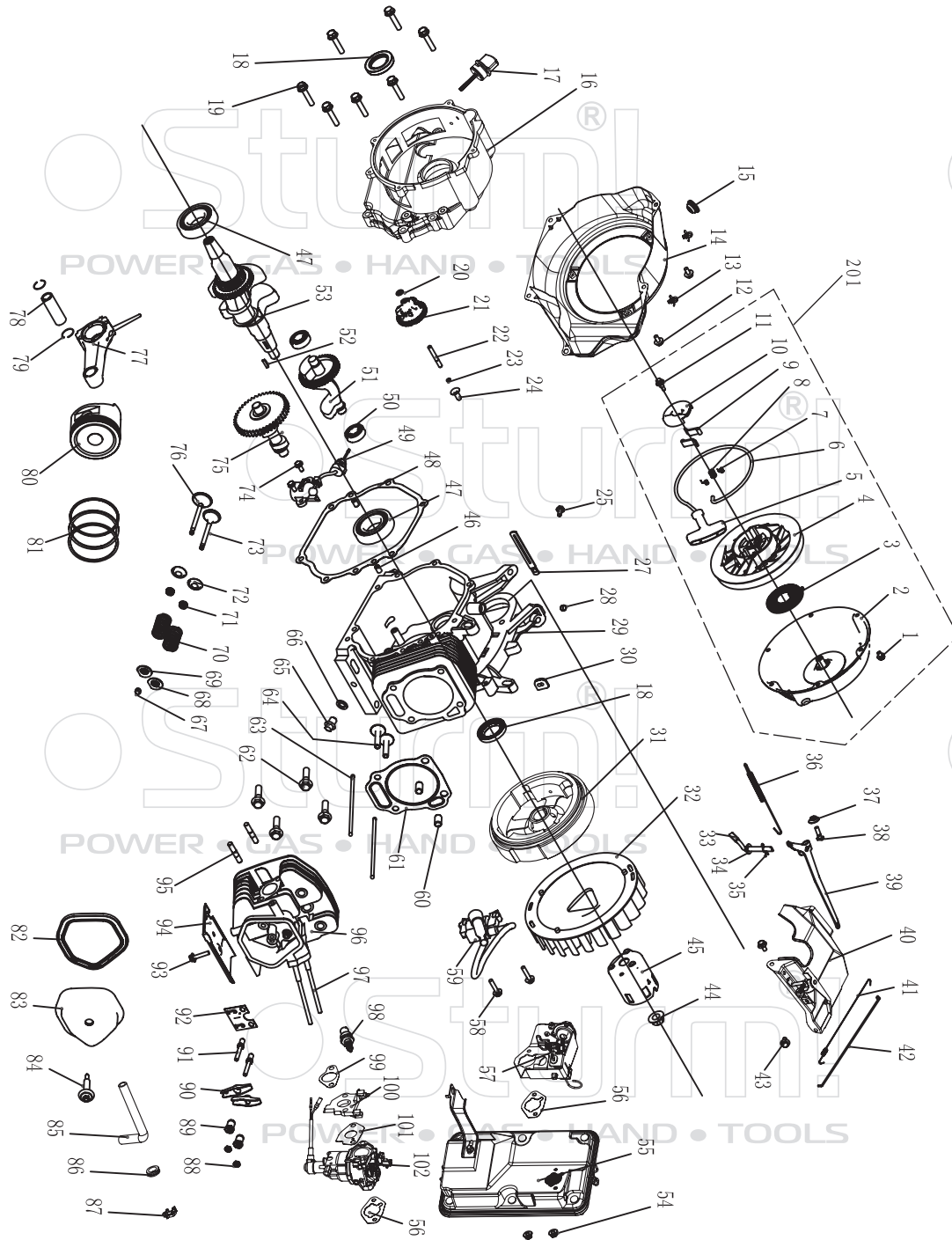


PG87191WN

NO.	DESCRIPTION	NO.	DESCRIPTION	NO.	DESCRIPTION
1	COPPER OUTER HEX BOLT M10×80	42	M6 NUT	83	OUTTER HEX BOLT M8×20
2	RED CONNECTING LINE	43	Ø12 FLAT WASHER	84	BRACKET
3	M10SPRING WASHER	44	M6 NUT	85	CROSS BOLT M4×12
4	INSULATION WASHER	45	M4×17.5 CROSS BOLT	86	TERMINAL COVER
5	NUT	46	M4 NUT	87	CONNECTION WIRE PLATE
6	M10 COPPER WASHER	47	BRIDGE RECTIFIERS	88	AVR
7	Ø32M10 WASHER	48	INDICATOR LIGHT	89	CROSS BOLT M4×12
8	M10 COPPER NUT	49	CUSHION RUBBER PAD	90	OUTTER HEX BOLT M5×30
9	BLACK CONNECTING LINE	50	RUBBER PAD	91	AVR COVER
10	REMOVABLE SCALE	51	M8 NUT	100	OUTTER HEX BOLT M5×12
11	OUTTER HEX BOLT M6×12	52	BRACKET	101	AIR GUIDE
12	GUARD BOARD	53	OUTTER HEX BOLT M8×16	102	ROTOR ASSEMBLY
13	OUTTER HEX BOLT M6×12	54	Ø8 FLAT WASHER	103	STATOR COIL
14	HOUSING	55	Ø8 SPRING WASHER	104	MOTOR BRACKET
15	8.3 INCH SEMI-HOLLOW WHEEL	56	M8 NUT	105	M5 NUT
16	SHORT SHAFT	57	M8 NUT	106	M5 SPRING WASHER
17	Ø24 FLAT WASHER	58	CUSHION RUBBER PAD	107	OUTTER HEX BOLT M5×214
18	M12 SPRING WASHER	59	Ø10 FLAT WASHER	108	CARBON BRUSH ASSEMBLY
19	M12 NUT	60	Ø10 SPRING WASHER	109	OUTTER HEX BOLT M5×16
20	M4×10 CROSS BOLT	61	M10 NUT	110	RECTIFIER
21	M4 NUT	62	INNER HEX BOLT M8×25	111	GLASS TUBE
22	EUROPEAN-STYLE SOCKET	63	HANDLE	112	OUTTER HEX BOLT M5×35
23	SOCKET WASHER	64	OIL PIPE	113	Ø5 FLAT WASHER
24	OUTTER HEX BOLT M6×22	65	CLIP	114	Ø5 SPRING WASHER
25	PANEL	66	SWITCH	115	OUTTER HEX BOLT M10×265
26	FLAMEOUT SWITCH	67	OIL TANK	116	OUTTER HEX BOLT M6×180
27	POTENTIOMETER	68	CUSHION	117	GENERATOR END COVER
28	VOLTMETER	69	BUSH Ø8.2×10×7.5	118	OUTTER HEX BOLT M5×12
29	BRACKET	70	Ø25 FLAT WASHER	119	EUROPEAN-STYLE PLUG
30	M2.5 SCREW CAP	71	OUTTER HEX BOLT M6×22	120	SPARK PLUG
31	CIRCUIT BREAKER	72	CROSS BOLT M5×10	202	RECTIFIER ASSEMBLY
32	CROSS BOLT M3.5	73	OIL LEVEL INDICATOR	92	PLASTIC PRESSBOARD
33	THERMAL PROTECTOR	74	FILTER NET	93	Ø4 FLAT WASHER
34	PLASTIC NUT M10	75	OIL TANK CAP	94	Ø4 SPRING WASHER
35	PLASTIC WASHER	76	ENGINE	95	CROSS BOLT M4×14
36	PLASTIC SCREW COVER	77	AIR CLEANER STAY	96	Ø4 FLAT WASHER
37	NUT M5	78	M6 NUT	97	Ø4 SPRING WASHER
38	TERMINAL BLOCK	79	MUFFLER GASKET	98	M4 NUT
39	OUTTER HEX. BOLT M6×16	80	MUFFLER	99	WELDING NEGATIVE POLE
40	FLAT WASHER Ø12	81	MUFFLER FRONT PROTECTOR		
41	M6 SPRING WASHER	82	OUTTER HEX BOLT M6×12		

ST20131126

ENGINE FOR PG87191WN



No.	DESCRIPTION	No.	DESCRIPTION	No.	DESCRIPTION
1	FLANGE BOLT M6x8	45	START HUB	86	BREATHER TUBE SHEATH
2	RECOIL STARTER	46	DOWEL PIN Ø8x14	87	STRING CLIP
3	RECOIL STARTER SPRING	47	BALL BEARING 6207	88	PIVOT ADJUSTING NUT
4	RECOIL STARTER REEL	48	CASE OVER PACKING	89	ROCKER ARM PIVOT
5	RECOIL STARTER KNOB	49	OIL LEVEL SWITCH ASSEMBLY	90	VALVE ROCKER ARM
6	RECOIL STARTER ROPE	50	BALL BEARING 6202	91	PIVOT BOLT
7	RETURN SPRING	51	BALANCE SHAFT	92	PUSH ROD GUIDE PLATE
8	RATCHET GUIDE SPRING	52	KEY	93	STUD BOLT M6x12
9	STARTER RATCHET	53	CRANK ASSEMBLY	94	SHROUD COMP
10	RATCHET GUIDE	54	NUT M6	95	STUD BOLT M8x34
11	RATCHET GUIDE SCREW	55	AIR CLEANER ASSEMBLY	96	CYLINDER HEAD ASSEMBLY
12	FLANGE BOLT M6x12	56	CARBURETOR WASHER	97	STUD BOLT 105
13	WIRE CLIP	57	ENRICHMENT SET ASSEMBLY	98	SPARK PLUG
14	FAN COVER ASSEMBLY	58	FLANGE BOLT M6x29	99	INSULATOR PACKING
15	RUBBER STUFF	59	IGNITOR	100	CARBURETOR INSULATOR
16	CRANKCASE COVER	60	DOWEL PIN Ø12x20	101	CARBURETOR PACKING
17	OIL FILLER CAP ASSEMBLY	61	CYLINDER HEAD GASKET	102	CARBURETOR ASSEMBLY
18	OIL SEAL	62	FLANGE BOLT M10x80	201	STARTER ASSEMBLY (1+...+11)
19	FLANGE BOLT M8x40	63	PUSH ROD		
20	GOVERNOR SHAFT WASHER	64	VALVE LIFTER		
21	GOVERNOR GEAR ASSEMBLY	65	DRAIN PLUG BOLT		
22	GOVERNOR SHAFT	66	DRAIN BOLT WASHER		
23	GOVERNOR HOLDER CLIP	67	VALVE ROTATOR		
24	GOVERNOR COVER	68	INTAKE VALVE SPRING RETAINER		
25	FLANGE BOLT M6x12	69	EXHAUST VALVE SPRING RETAINER		
27	WIRE CLIP	70	VALVE SPRING		
28	OIL SEAL	71	VALVE OIL SEAL		
29	CRANKCASE	72	VALVE SPRING WASHER		
30	WIRE SHEATH	73	INTAKE VALVE		
31	FLY WHEEL	74	FLANGE BOLT M6x15		
32	COOLING FAN	75	CAMSHAFT ASSEMBLY		
33	GOVERNOR ARM SHAFT	76	EXHAUST VALVE		
34	GOVERNOR WASHER	77	CONNECTING ROD ASSEMBLY		
35	LOCK PIN	78	PISTON PIN		
36	GOVERNOR SPRING	79	PISTON PIN CLIP		
37	NUT M6	80	PISTON		
38	GOVERNOR ARM BOLT		RING COMP		
39	GOVERNOR ARM	81	SECOND RING SET		
40	SHROUD ASSEMBLY		FIRST RING SET		
41	THROTTLE RETURN SPRING	82	HEAD OVER PACKING		
42	GOVERNOR ROD	83	HEAD OVER COMP		
43	FLANGE BOLT M6x12	84	BOLT		
44	NUT M14	85	BREATHER TUBE		