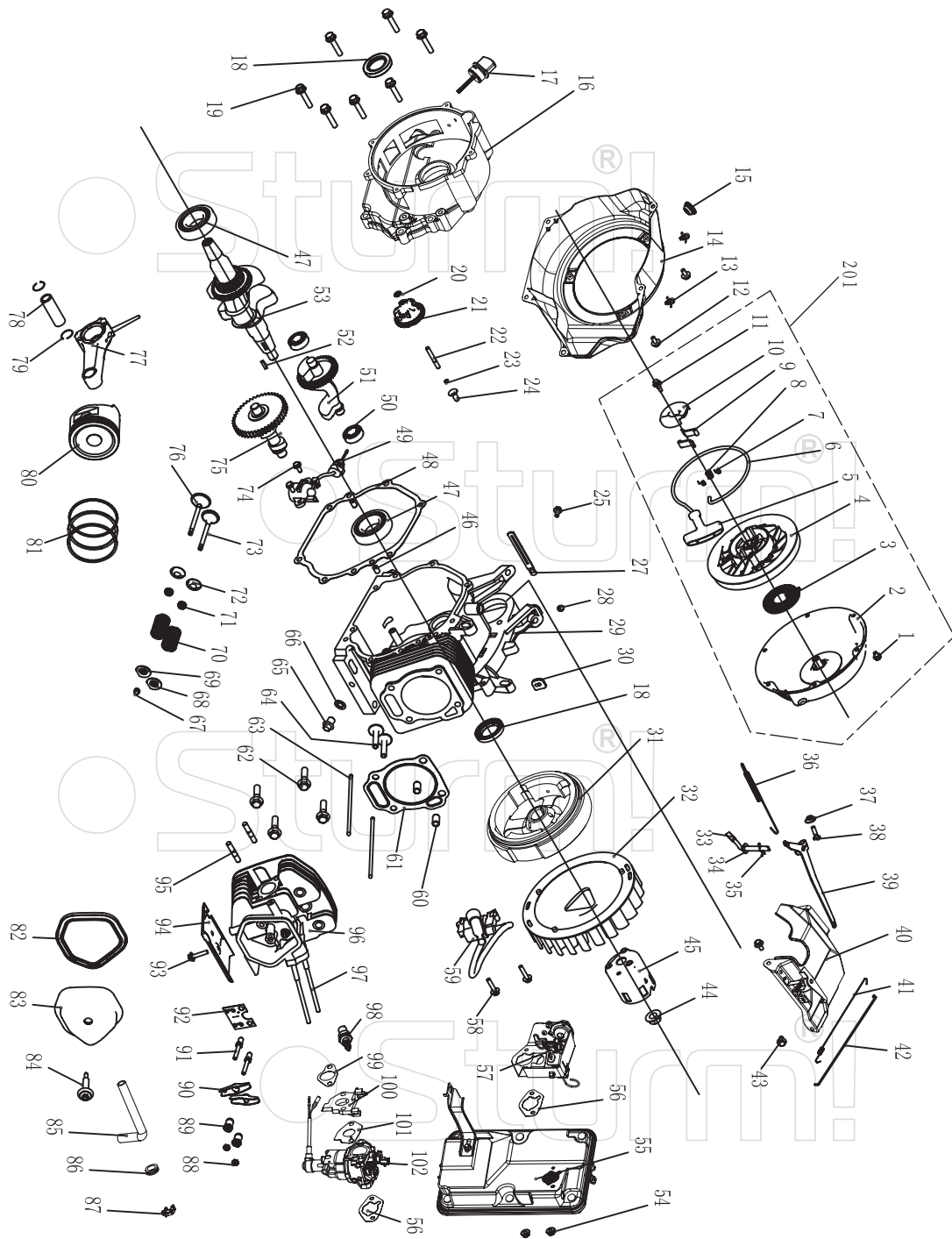


PG8719WN

NO.	DESCRIPTION	NO.	DESCRIPTION	NO.	DESCRIPTION
1	FUEL TUBE	50	BUILD UP,OUTPUT WIRE	97	CONTROL PANEL
2	CLIP	51	DC OUTPUT WIRE"-"	98	STARTER SWITCH
3	FUEL COCK	52	BOLT M8×16	99	RECEPTACLE
4	FUEL TANK	53	WASHER Ø8	100	VOLT METER
5	FUEL FILLER	54	SPRING WASHER Ø8	101	BOLT M6×22
6	FUEL TANK CAP	55	RUBBER END COVER	102	NUT M6
7	FUEL METER	56	GENERATOR END COVER	103	SPRING WASHER Ø6
8	BOLT M5×10	57	BOLT M5×12	104	WASHER Ø6
9	BOLT M6×20	58	DC OUTPUT WIRE"+"	105	DC.10A CIRCUIT BREAKERS
10	WASHER	59	SPRING WASHER Ø4	106	DC RECEPTACLE
11	SPRING WASHER Ø6	60	WASHER Ø4	107	AC CIRCUIT BREAKERS
12	TANK RUBBER	61	NUT M4	108	CONTACTOR
13	CUSHION RIGN	62	SPRING WASHER Ø5	109	THERMAL PROTECTOR
14	BOLT M8×12	63	WASHER Ø5		INDICATOR LIGHT
15	BOTTOM RUBBER I	64	BOLT M5×20	110	BOLT M10×50
16	NUT M10	65	BRUSH COVER BOARD	111	NUT M10
17	BOTTOM RUBBER II	66	BRUSH ASSEMBLY	112	WASHER Ø10
18	NUT M8	67	MUFFLER BACK PROTECTOR	113	WING NUT M10
19	BOLT M6×12	68	CUSHION	114	BAKELITE WASHER
20	WASHER Ø6	69	BOLT M8×20	115	SPRING WASHER Ø10
21	EARTH LINE	70	WASHER Ø8	116	BOLT M6×12
22	NUT M6	71	SPRING WASHER Ø8	117	PLUG UP
23	BOLT M8×50	72	WASHER Ø8	118	L-WASHER
24	WASHER Ø8	73	SPRING WASHER Ø8	119	L-BAKELITE WASHER
25	GRIPE	74	BOLT M8×25	120	AVR
26	NUT M8	75	MUFFLER ASSEMBLY	121	BOLT M5×16
27	CUSHION	76	MUFFLER FRONT PROTECTOR	122	WASHER Ø5
28	ENGINE	77	BOLT M6×12	123	SPRING WASHER Ø5
31	AIR GUIDE	78	BOLT M6×8	124	PANEL COVER
32	BOLT M6×8	79	MUFFLER GASKET	125	BOLT M5×83
33	ROTOR ASSEMBLY	80	NUT M8	126	WASHER Ø5
34	BOLT M10×275	81	SPRING WASHER Ø8	127	PLUG UP
35	WASHER Ø10	82	WASHER Ø8	128	BOLT M5×14
36	SPRING WASHER Ø10	83	NUT M6	129	DIODE ASSY
37	BOLT M5×214	84	AIR CLEANER STAY	130	DIODE ASSY
38	SPRING WASHER Ø5	85	TERMINAL	131	BOLT M8×25
39	WASHER Ø5	86	BOLT M5×30	132	CUSHION
40	STATOR ASSEMBLY	87	COVER	133	NUT M8
41	STATOR COVER	88	BOLT M5×16	134	BRACKET
42	END COVER	89	WASHER Ø5	135	BOLT M8×16
43	BOLT M6×189	90	SPRING WASHER Ø5	136	BRACKET
44	WASHER Ø6	91	CUSHION RING Ø20.5	137	NUT M10
45	SPRING WASHER Ø6	92	BODY	138	WHEEL
46	RECTIFIER	93	CAPACITANCE	139	LINING
47	AVR RADIATOR	94	WASHER Ø5	140	WASHER Ø10
48	BOLT M5×16	95	SPRING WASHER Ø5	141	BOLT M10×125
49	BOLT M5×35	96	NUT M5	142	BOLT



ENGINE FOR PG8719WN

No.	DESCRIPTION	No.	DESCRIPTION	No.	DESCRIPTION
1	FLANGE BOLT M6×8	45	START HUB	86	BREATHER TUBE SHEATH
2	RECOIL STARTER	46	DOWEL PIN Ø8×14	87	STRING CLIP
3	RECOIL STARTER SPRING	47	BALL BEARING 6207	88	PIVOT ADJUSTING NUT
4	RECOIL STARTER REEL	48	CASE OVER PACKING	89	ROCKER ARM PIVOT
5	RECOIL STARTER KNOB	49	OIL LEVEL SWITCH ASSEMBLY	90	VALVE ROCKER ARM
6	RECOIL STARTER ROPE	50	BALL BEARING 6202	91	PIVOT BOLT
7	RETURN SPRING	51	BALANCE SHAFT	92	PUSH ROD GUIDE PLATE
8	RATCHET GUIDE SPRING	52	KEY	93	STUD BOLT M6×12
9	STARTER RATCHET	53	CRANK ASSEMBLY	94	SHROUD COMP
10	RATCHET GUIDE	54	NUT M6	95	STUD BOLT M8×34
11	RATCHET GUIDE SCREW	55	AIR CLEANER ASSEMBLY	96	CYLINDER HEAD ASSEMBLY
12	FLANGE BOLT M6×12	56	CARBURETOR WASHER	97	STUD BOLT 105
13	WIRE CLIP	57	ENRICHMENT SET ASSEMBLY	98	SPARK PLUG
14	FAN COVER ASSEMBLY	58	FLANGE BOLT M6×29	99	INSULATOR PACKING
15	RUBBER STUFF	59	IGNITOR	100	CARBURETOR INSULATOR
16	CRANKCASE COVER	60	DOWEL PIN Ø12×20	101	CARBURETOR PACKING
17	OIL FILLER CAP ASSEMBLY	61	CYLINDER HEAD GASKET	102	CARBURETOR ASSEMBLY
18	OIL SEAL	62	FLANGE BOLT M10×80	201	STARTER ASSEMBLY (1+...+11)
19	FLANGE BOLT M8×40	63	PUSH ROD		
20	GOVERNOR SHAFT WASHER	64	VALVE LIFTER		
21	GOVERNOR GEAR ASSEMBLY	65	DRAIN PLUG BOLT		
22	GOVERNOR SHAFT	66	DRAIN BOLT WASHER		
23	GOVERNOR HOLDER CLIP	67	VALVE ROTATOR		
24	GOVERNOR COVER	68	INTAKE VALVE SPRING RETAINER		
25	FLANGE BOLT M6×12	69	EXHAUST VALVE SPRING RETAINER		
27	WIRE CLIP	70	VALVE SPRING		
28	OIL SEAL	71	VALVE OIL SEAL		
29	CRANKCASE	72	VALVE SPRING WASHER		
30	WIRE SHEATH	73	INTAKE VALVE		
31	FLY WHEEL	74	FLANGE BOLT M6×15		
32	COOLING FAN	75	CAMSHAFT ASSEMBLY		
33	GOVERNOR ARM SHAFT	76	EXHAUST VALVE		
34	GOVERNOR WASHER	77	CONNECTING ROD ASSEMBLY		
35	LOCK PIN	78	PISTON PIN		
36	GOVERNOR SPRING	79	PISTON PIN CLIP		
37	NUT M6	80	PISTON		
38	GOVERNOR ARM BOLT	81	RING COMP		
39	GOVERNOR ARM	81	SECOND RING SET		
40	SHROUD ASSEMBLY	81	FIRST RING SET		
41	THROTTLE RETURN SPRING	82	HEAD OVER PACKING		
42	GOVERNOR ROD	83	HEAD OVER COMP		
43	FLANGE BOLT M6×12	84	BOLT		
44	NUT M14	85	BREATHER TUBE		