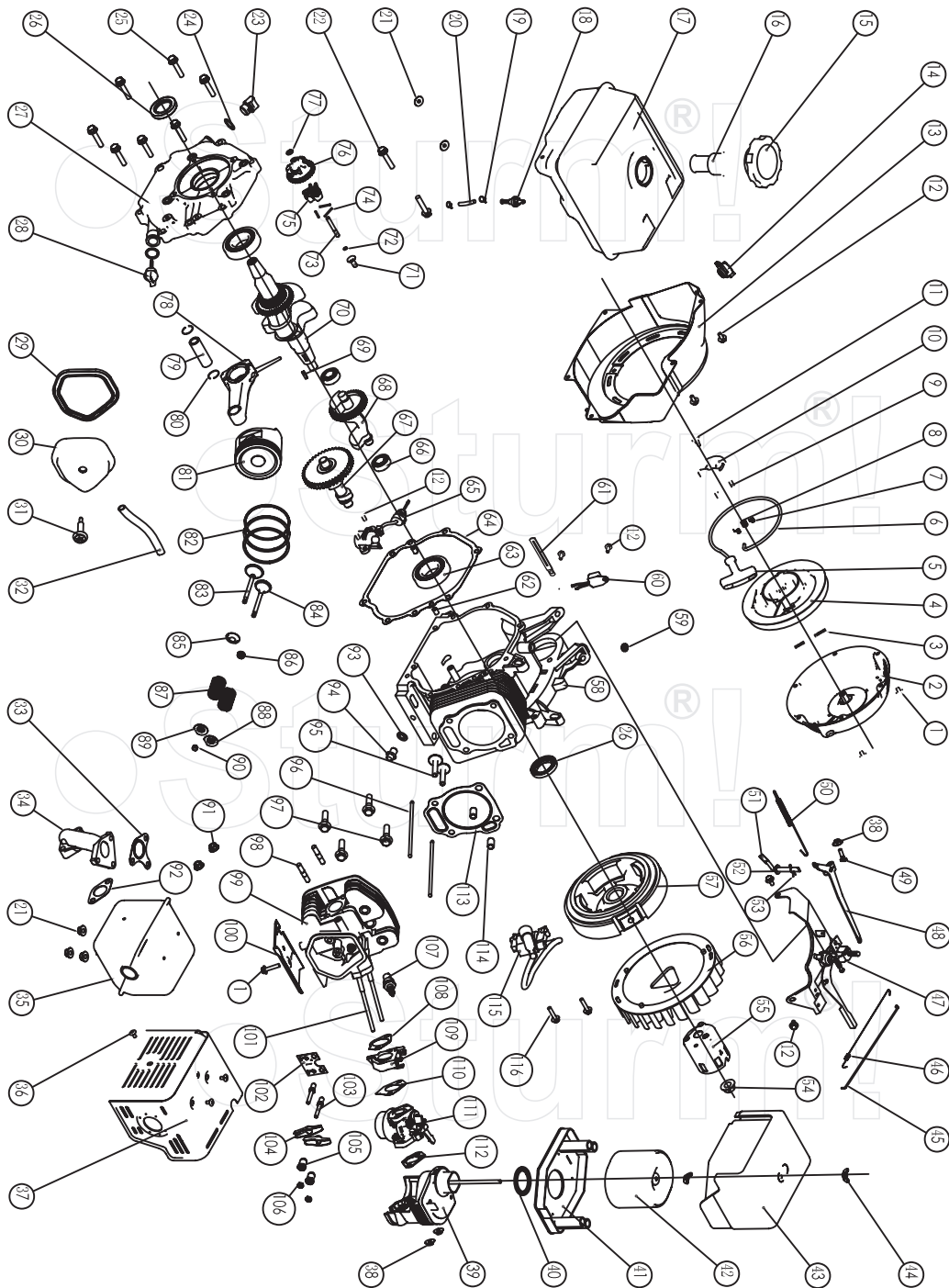


PG8755

NO.	DESCRIPTION	NO.	DESCRIPTION
1	BOLT M6X12	41	WASHER Ø6
2	SWITCH	42	RUBBER
3	CONTROL PANEL	43	RUBBER TUBE
4	DIODE ASSY	44	CLIP
5	VOLT METER	45	VALVE
6	BREAKER	46	RUBBER TUBE
7	RECEPTACLE	47	SCREW M5X10
8	CASE	48	DIAPHRAGM ASSY.
9	BOLT M5X10	49	PACKING
10	GENERATOR END COVER	50	STAY ASSY.
11	BOLT M6X10	51	GROMMET
12	TERMINAL	52	CARBURETOR
13	DIODE ASSY	53	CARBURETOR INSULATOR
14	AVR	54	CARBURETOR INSULATOR PACKING
15	BRUSH ASSY	55	BOLT
16	END COVER	56	NUT M6
17	FLANGE BOLT M6X179	57	AIR CLEANER STAY
18	STATOR COVER	58	AIR CLEANER CASE COMP
19	FLANGE BOLT M10X1.25X265	59	AIR CLEANER SEAL
20	STATOR ASSY	60	NUT M5
21	ROTOR COMP	61	SEPARATOR
22	COVER	62	ELEMENT
23	CRANKCASE COVER	63	AIR CLEANER COVER COMP
24	O-RING	64	CONTROL ASSY
25	OIL FILLER CAP	65	BOLT
26	ENGINE	66	MUFFLER GASKET
27	FRAME RUBBET	67	EX PIPE
28	NUT M8	68	BOLT M8X25
29	BOTTOM RUBBER 1	69	MUFFLER
30	FRAME	70	MUFFLER INNER PROTECTOR
31	BOTTOM RUBBER 2	71	MUFFLER LIFE PROTECTOR
32	CLIP	72	MUFFLER OUTER PROTECTOR
33	FUEL TUBE	73	BOLT M8X20
34	FUEL COCK	74	MUFFLER STAY
35	FUEL TANK	101	INDUSTRY RECEPTACLE
36	FUEL FILTER	102	RED POSITIVE TERMINAL
37	FUEL TANK CAP	103	BLACK NEGATIVE TERMINAL
38	SCREW M5X6	104	D. C 10A BREAKER
39	FUEL METER ASSY	105	EARTH BOLT
40	BOLT M6X25		



ENGINE FOR PG8745 PG8755 PG87603 PG8719W

No.	DESCRIPTION	No.	DESCRIPTION	No.	DESCRIPTION
1	FLANGE BOLTM6X8	41	SILENCER NOSE	81	PISTON
2	RECOIL STARTER CASE COMP	42	AIR CLEAN ELEMENT	82	OIL SEAL SET COMP
3	STARTER RETURN SPRING	43	AIR CLEAN COVER		SECOND RING SET
4	RECOIL STARTER PULLEY	44	AIR CLEAN COVER NUT		FIRST RING SET
5	RECOIL STARTER KNOB	45	GOVERNOR ROD	83	EX, VALVE
6	RECOIL STARTER ROPE	46	THROTTLE RETURN SPRING	84	IN, VALVE
7	RATCHET SPRING	47	CONTROL ASSY	85	VALVE SPRING WASHER
8	RATCHET GUIDE SPRING	48	GOVERNOR ARM	86	VALVE OIL
9	RATCHET STARTER	49	GOVERNOR ARM BOLT	87	VALVE SPRING
10	RATCHET GUIDE	50	GOVERNOR SPRING	88	IN, VALVE SPRING RETAINER
11	RATCHET GUIDE BOLT	51	COVER ARM SHAFT	89	EX, VALVE SPRING RETAINER
12	FLANGE BOLTM6X12	52	WASHER8.2X17X0.8	90	VALVE ROTATOR
13	FAN CORER COMP	53	PIN CLIP	91	NUT M8
14	SWITCH	54	SPECIAL NUT	92	MUFFLER GASKET
15	FUEL FILLER CAP COMP	55	STARTER PULLEY COMP	93	DRAIN PLUG WASHER
16	OIL FILTER	56	COOLING FAN	94	DRAIN PLUG BOLT
17	FUEL TANK COMP	57	FLYWHEEL COMP	95	VALVE LIFTER
18	FUEL TANK JOINT	58	CRANKCASE ASSY	96	PUSH ROD
19	CLIP	59	OIL SEAL	97	BOLT
20	TUBE	60	DIODE COMP	98	BOLT
21	NUT M8	61	WIRE CLIP	99	HEAD COMP
22	FLANGE BOLTM8X25	62	DOWEL PIN8X14	100	SHROUD
23	OIL FILLER CAP	63	RADIAL BALL BEARING 6207/C3	101	BOLT
24	OIL FILLER CAP PACKING	64	CASE COVER PACKING	102	PUSH ROD GUIDE PLATE
25	FLANGE BOLTM8X40	65	OIL LEVEL SWITCH ASSY	103	PIVOT BOLT
26	OIL SEAL	66	RADIAL BALL BEARING6202/P6	104	VALVE ROCKET ARM
27	CRANKCASE COVER	67	CAMSHAFT COMP	105	ROCKER ARM PIVOT
28	AIR CLEANER PACKING	68	BALANCE GEAR	106	PIVOT ADJUSTING NUT
29	HEAD OVER PACKING	69	KEY	107	SPARK PLUG
30	HEAD COVER COMP	70	CRANKSHAFT COMP	108	CARBURETOR INSULATOR PACKING
31	HEAD COVER BOLT COMP	71	GOVERNOR SLIDER	109	CARBURETOR INSULATOR
32	TUBE	72	GOVERNOR SHAFT CLIP	110	CARBURETOR PACKING
33	EX PIPE GASKET	73	GOVERNOR SHAFT	111	CARBURETOR ASSY
34	EX PIPE	74	GOVERNOR WEIGHT PIN	112	AIR CLEANER PACKING
35	MUFFLER COMP	75	GOVERNOR WEIGHT	113	CYLINDER HEAD CASKET
36	TAPPING SCREEN M5X10	76	GOVERNOR WEIGHT HOLDER	114	DOWEL PIN
37	MUFFLER PROTECTOR	77	WASHER	115	IGNITION
38	NUT M6	78	CONNECTING ROD ASSEMBLY	116	BOLT M6X29
39	AIR CLEAN ELBOW COMP	79	PISTON PIN		
40	ELBOW PACKING	80	PISTON PIN CLIP		