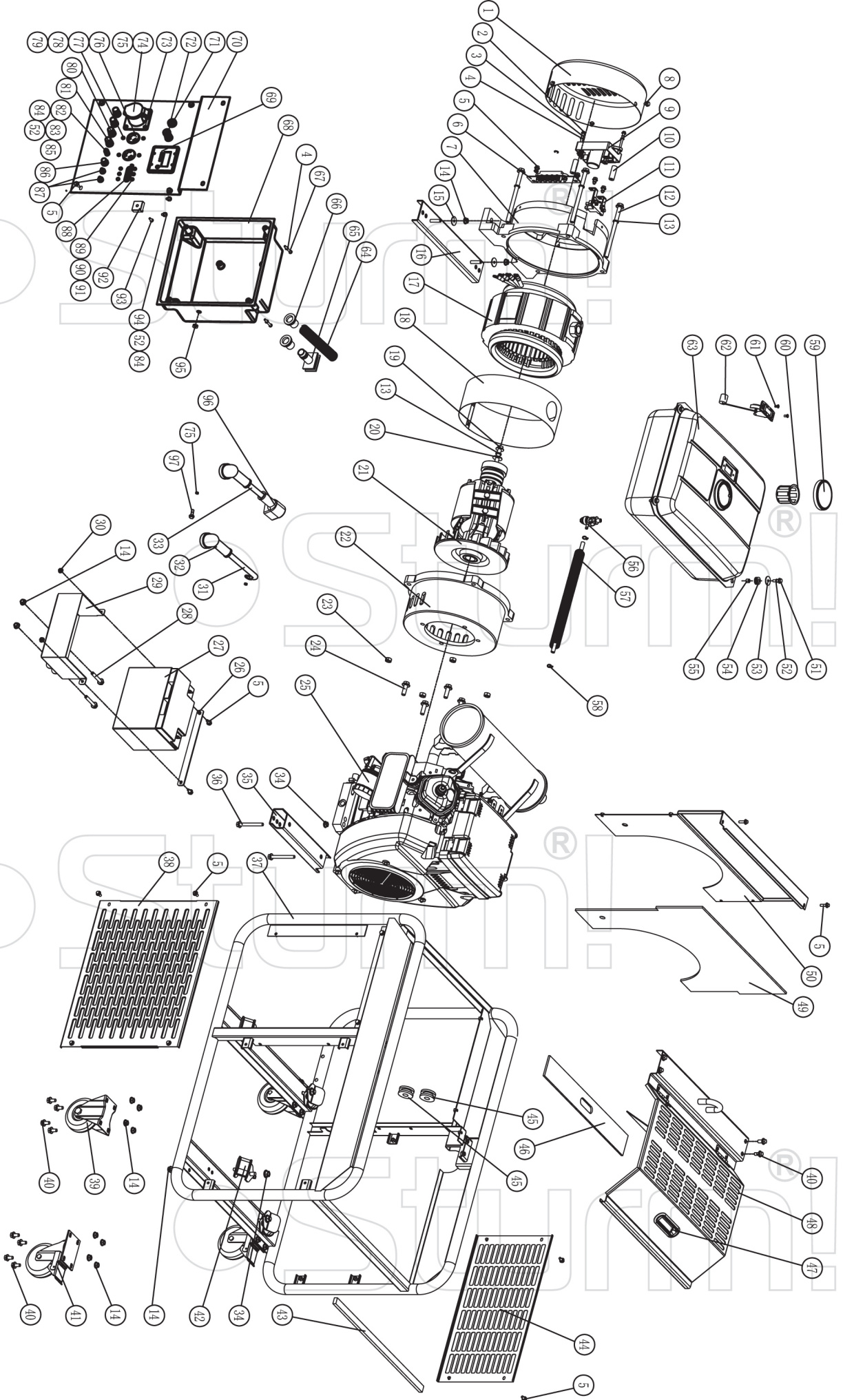


PG8795E



NO.	DESCRIPTION	NO.	DESCRIPTION	NO.	DESCRIPTION
1	GENERATOR END COVER	37	BRACKET	73	DIGITAL DISPLAY
2	BOLT M5×65	38	SHIELD	74	BOLT M5×16
3	SPRING WASHER Φ5	39	WHEEL	75	NUT M5
4	WASHER Φ5	40	BOLT M8×16	76	RECEPTACLE
5	BOLT M6×12	41	WHEEL	77	WASHER Φ4
6	TERMINAL	42	BOTTOM RUBBER	78	SPRING WASHER Φ4
7	END COVER	43	CUSHION PAD	79	BOLT M4×14
8	BOLT M6×8	44	SHIELD	80	TERMINAL
9	AVR	45	CUSHION ANNULUS Φ20.5	81	TERMINAL
10	BUSH	46	INSULATION PAPER	82	BOLT M6×22
11	BRUSH ASSY	47	HANDLE COVER	83	NUT M6
12	BOLT M10×160	48	UP COVER	84	WASHER Φ6
13	SPRING WASHER Φ10	49	INSULATION PAPER	85	LOCK WASHER Φ6
14	NUT M8	50	SEPARATOR	86	FUSE
15	WASHER Φ8	51	BOLT M6×20	87	TERMINAL
16	UNDERPROP	52	SPRING WASHER Φ6	88	CIRCUIT BREAKERS
17	STATOR ASSY	53	WASHER	89	BOLT M3×6
18	STATOR COVER	54	CUSHION ANNULUS	90	SPRING WASHER Φ3
19	BOLT M10×280	55	TANK RUBBER	91	WASHER Φ3
20	WASHER Φ10	56	FUEL COCK	92	DIODE ASSY
21	ROTOR COMP	57	FUEL TUBE	93	BOLT M5×14
22	FRONT COVER	58	CLIP	94	BOLT M6×10
23	NUT M10	59	FUEL TANK CAP	95	CUSHION ANNULUS Φ20.5
24	BOLT M10×27	60	FUEL FILLER	96	JACKET RUBBER
25	ENGINE	61	BOLT M5×10	97	BOLT M5×12
26	BATTERY FIXITY	62	FUEL METER		
27	BATTERY(33AH)	63	FUEL TANK		
28	BOLT M8×45	64	RIPPLE PIPE		
29	BATTERY SUPPORT	65	PLUG		
30	NUT M6	66	PLUG		
31	BATTERY WIRE"-"	67	BOLT M5×38		
32	JACKET RUBBER	68	PANEL COVER		
33	BATTERY WIRE"+"	69	DIGITAL DISPLAY		
34	NUT M10	70	CONTROL PANEL		
35	UNDERPROP	71	CHOKE CONTROLLOR		
36	BOLT M10×75	72	SWITCH		

ST20101108



ENGINE FOR PG8795E

No.	DESCRIPTION	No.	DESCRIPTION	No.	DESCRIPTION
1	NUT M6	61	RING,PISTON TOP	121	INSULATOR,CARB.
2	FLANGE BOLT M6x25	62	FLANGE BOLT M6x20	122	CONNECTER,CARB.
3	FAN COVER	63	FILTER COMP.,OIL	123	FLANGE BOLT M6x65
4	SCREW ST4.2x13	64	LIFTER,VALVE	124	HOSE,DRAIN
5	SMALL COVER	65	CRANKSHAFT	125	CARBURETOR COMP.
6	FLANGE BOLT M8x16	66	ROLLER BEARING HK0810	126	SEAL,CONNECT SETTING
7	PAWL GUIDE,FAN	67	OIL SEAL Φ8xΦ14x5	127	CONNECT SETTING,AIR CLEANER
8	FAN CASE	68	RIGHT-ANGLE PIPE	128	FLANGE BOLT M6x90
9	STUD BOLT M6xM6x102	69	FORK,GOV.	129	AIR GUIDE COMP,UPPER
10	FLANGE BOLT M6x29	70	PIN,SPRING	130	FLANGE BOLT M10x80
11	IGNITION ASSY. LEFT	71	WASHER Φ8	131	PACKING,HEAD COVER
12	IGNITION ASSY. RIGHT	72	Throttle return spring	132	COVER,CYL.HEAD RIGHT
13	FLANGE NUT M20x1.5	73	ROD,GOV.	133	COVER,CYL.HEAD LEFT
14	FLYWHEEL COMP.	74	BOLT,GOVERNOR ARM	134	BOLT,FILLER PLUG
15	CLIP,WIRE	75	ARM,GOV.	135	WASHER,FILLER PLUG
16	TUBE,BREATHER	76	CLIP,GOV.,GEAR	136	RETAINING SPRING.
17	CLIP Φ17xΦ1.5	77	GOVERNOR SHAFT WASHER	137	GOV.SETTING COMP.
18	FLANGE BOLT M6x15	78	SCREW ROCKER,	138	SPRING,GOV.
19	PAWL GUIDE,WIRE	79	SCREW ROCKER,	139	SPRING,GOV.
20	COVER,BREATHER	80	SPRING,SUPPORT	140	SUPPORTER,GOV.
21	GSKT.,BREATHER COVER	81	ROCKER-ARM SUPPORT	141	CHOCK LEVER
22	UNILATERAL,VALVE	82	DOWEL PIN Φ8X10	142	CASE,AIR CLEANER COMP.
23	FLANGE BOLT M6x12	83	FLANGE BOLT M5x12	143	BAFFLE
24	AIR GUIDE BOARD COMP. LEFT	84	GOV.,GEAR	144	ELEMENT COMP.
25	SCREW M6x10	85	INNER WASHER,GEAR	145	ELEMENT
26	NUT M6	86	GOV.,GEAR COMP.	146	CASE,AIR CLEANER
27	SINGLE-STAGE SWITCH,FLAMEOUT	87	BUSH,GOV.,GEAR	147	GSKT.,EXT.
28	SHEATH,FLAMEOUT WIRE	88	CAM SHAFT COMP.	148	MUFF.,ASSY.
29	MANOSTAT	89	SINGLE-SEALED BEARING	149	SPRING WASHER Φ8
30	AIR GUIDE COMP,LH.	90	Key 4x5.5x25	150	NUT M8
31	FLANGE BOLT M6x33	91	GEAR,DRIVE	151	VALVE,EXHAUST
32	COIL ASSY.,CHARGER	92	WASHER Φ39xΦ54x1	152	Exhaust valve stud blot M8X34
33	OIL SEAL Φ38xΦ58x9	93	DOWEL PIN Φ8X14	153	RET.,VALVE SPRING
34	WASHER,DRAIN	94	SEAL Φ14xΦ2.65	154	OIL SEAL,VALVE
35	BOLT,DRAIN	95	GSKT.,CRANKCASE	155	SPRING,VALVE
36	DOWEL PIN Φ10X14	96	HEXAGON BOLT M6x16	156	RET.,VALVE SPRING EXHAUST
37	STARTER ENGINE COMP.	97	OIL PUMP ASSY.	157	FLANGE BOLT M8x20
38	FLANGE BOLT M8x110	98	SPRING	158	HANDLE
39	AIR GUIDE BOARD COMP.RIGHT	99	STEEL BALL 9.5	159	ROD,VALVE PUSH
40	BUFFER Φ9.5	100	BUSH Φ7	160	BOLT,SCREW ROCKER
41	AIR GUIDE COMP,RH.	101	OIL LEVER SWITCH	161	SCREW ROCKER,VALVE
42	HOLD COOLER	102	FLANGE BOLT M6x75	162	NUT,VALVE ADJUSTING
43	SEAL Φ12xΦ2.5	103	COVER,,CRANKCASE	163	LOCKNUT
44	STRAINER COMP.,OIL BASE	104	FLANGE BOLT M8x50	164	CAP,,VALVE SPRING EXHAUST
45	NUT,CONNECT	105	PLUG,CRANKCASE COVER	165	RET.,VALVE SPRING(INTAKE)
46	STRAINER COMP.,OIL	106	OIL DIPSTICK ASSY.	166	SPARK PLUG
47	PLUG,HEXAGON Bolt M6x16	107	FUEL PUMP ASSY.	167	HEAD COMP.,CYLINDER RIGHT
48	PIPE,FUEL COMP	108	BUFFER Φ11	168	VALVE,INTAKE
49	BODY COOLER	109	FUEL PUMP NOG	169	HEAD COMP.,CYLINDER LEFT
50	SAFETY-NET COOLER	110	CLIP Φ10.5xb8	170	DIODE COMP.
51	PLUG,HEXAGON	111	PIPE,FUEL		
52	CRANKCASE COMP.	112	PIPE PRESSURE COMP.		
53	GASKET,CYLINDER	113	CLIP Φ8xb6		
54	DOWEL PIN Φ12X20	114	CLIP Φ9.5xb8		
55	PISTON PIN CLIP	115	PIPE,FUEL Φ5.5xΦ10.5x220		
56	PIN,PISTON	116	FUEL,FILTER		
57	CONN, ROD COMP.	117	FLANGE BOLT M8x45		
58	PISTON	118	MANIFOLD,INTAKE		
59	RING,OIL	119	GSKT.,INTAKE		
60	RING,PISTON SECOND	120	GSKT.,CARB.		

