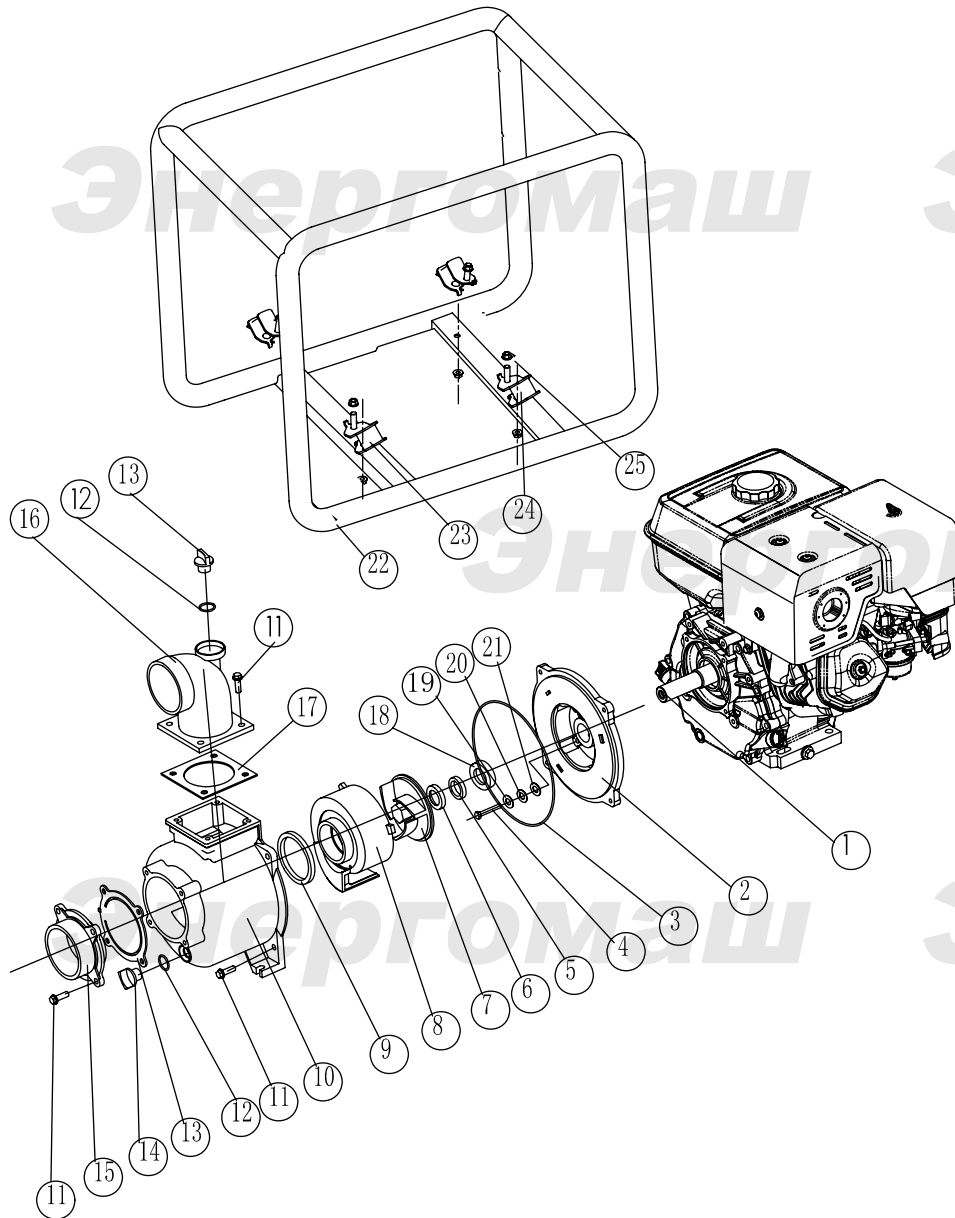


БП-87100



NO.	DESCRIPTION
1	ENGINE
2	PUMP BODY
3	PUMP BODY "O" SEAL
4	HEXAGON SCREWS M8x55
5	IMPELLER WEAR RING
6	IMPELLER SEALS
7	IMPELLER
8	SPIRAL CASE
9	SPIRAL CASE "O" SEAL
10	PUMP COVER
11	FLANGE BOLT M10x32
12	PLUG "O" SEAL
13	NON-RETURN VALVE
14	PLUG
15	FLUME(NPT)
16	ELBOW DRAFT TUBE(NPT)
17	SEAL PACKING
18	CASING WEAR RING
19	WASHER
20	WASHER
21	WASHER
22	FRAME
23	BOTTOM RUBBER (I)
24	BOTTOM RUBBER (II)
25	NUT M8

EN071217-1