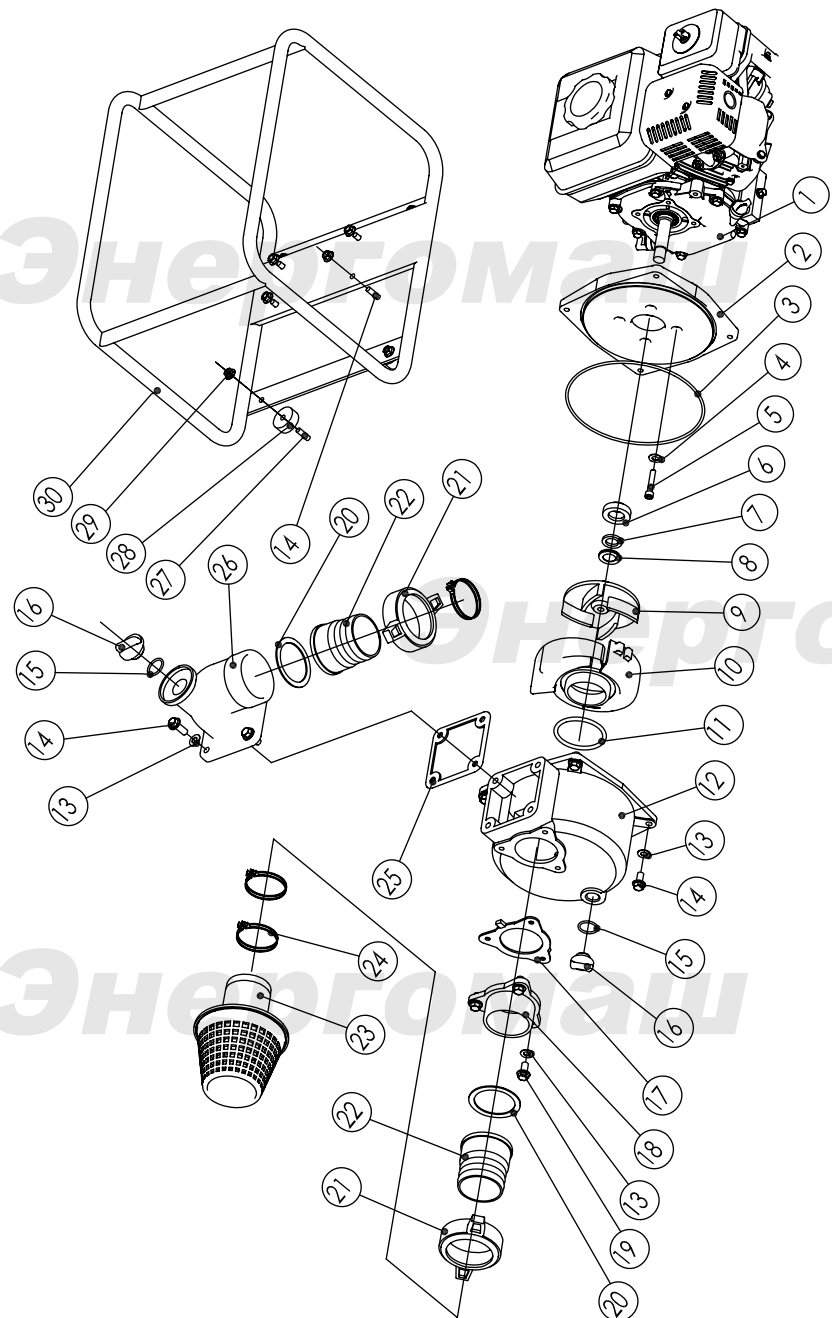


БП-87450

БП-87600



NO.	DESCRIPTION
1	ENGINE
2	PUMP BODY
3	"O" SEAL
4	WASHER
5	HEXAGON SCREWS M8x55
6	CASING WEAR RING
7	IMPELLER WEAR RING
8	IMPELLER SEALS
9	IMPELLER
10	SPIRAL CASE
11	"O" SEAL
12	PUMP COVER
13	PACKING8
14	FLANGE BOLT M8x20
15	"O" SEAL
16	PLUG
17	NON-RETURN VALVE
18	FLUME
19	FLANGE BOLT M8x20
20	SEAL PACKING
21	JOINT
22	HEAD
23	STRAINER
24	TABE CLIP
25	SEAL PACKING
26	ELBOW DRAFT TUBE
27	FLANGE BOLT M8x25
28	FRAME RUBBER
29	NUT M8
30	FRAME

EN071217-1