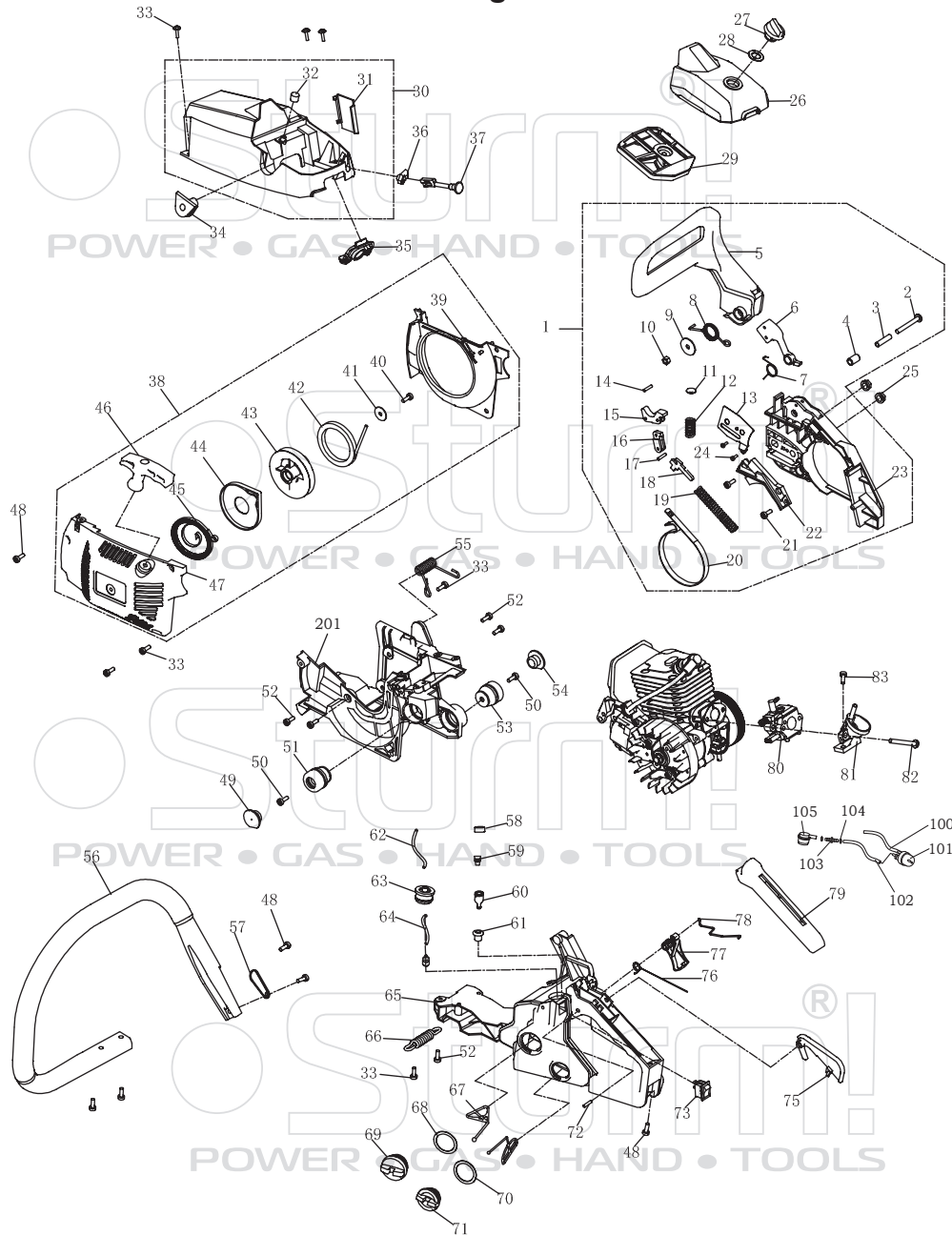


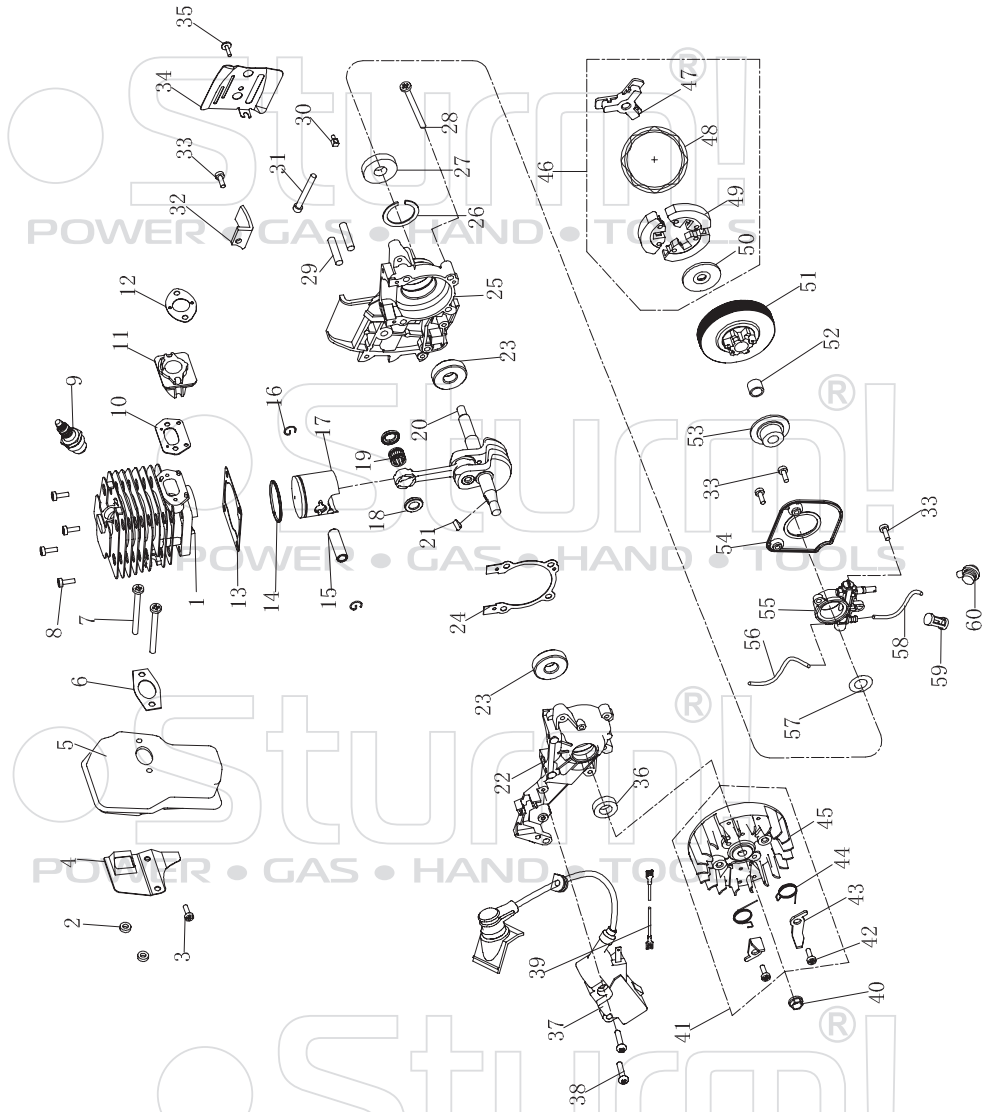
Fig. 1



GC9937B

NO.	DESCRIPTION	NO.	DESCRIPTION
1	RIGHT COVER ASSEMBLY	46	START HANDLE
2	SCREW	47	START COVER
3	PIN GLAND	48	TAPPING SCREW
4	HEAVY BROCK GLAND	49	DUST COVER 1
5	FRONT DAMPER	50	TAPPING SCREW
6	HEAVY BLOCK	51	CUSHION SOCKET 1
7	HEAVY BLOCK SPRING	52	SCREW
8	BRAKE TORSION ROD SPRING	53	CUSHION SOCKET 2
9	WASHER	54	DUST COVER 2
10	LOCK- NUT M5	55	FRONT HANDLE SPRING
11	SPRING BASE	56	FRONT HANDLE
12	FRONT GUARD SPRING	57	TORSION ROD SPRING COVER PLATE
13	TENSIONER COVER PLATE	58	BALANCER COVER
14	PIN	59	BALANCER RUBBER
15	MAIN LEVEL	60	BALANCER BODY
16	SECONDARY PULL-ROD	61	BALANCER ROOT
17	PIN	62	FUEL TUBE
18	BREAK CONTROL ROD	63	TUBE ROOT
19	BRAKE SPRING	64	PETROL FILTER COMPONENTS
20	BREAK STRAP	65	BASE
21	TAPPING SCREW	66	BASE SPRING
22	BREAK SPRING COVER PLATE	67	ANTI-DROP PLATE
23	RIGHT COVER	68	PACKING WASHER
24	TAPPING SCREW	69	PETROL COVER
25	NUT M8	70	PACKING WASHER
26	AIR FILTER COVER	71	OIL COVER
27	AIR FILTER LOCK NUT	72	PIN
28	LOCK NUT WASHER	73	EXTINCTION SWITCH
29	AIR FILTER	75	TRIGGER CONTROL RACK
30	UPPER COVER PLATE	76	TRIGGER TORSION ROD SPRING
31	ANTI-FREEZE BLOCK	77	TRIGGER
32	SHOCK BLOCK	78	THROTTLE ROD
33	TAPPING SCREW	79	HANDLE COVER
34	IDLE ADJUSTING GUIDE SET	80	CARBURETOR
35	DUST SHIELD	81	AIR INTAKE SOCKET
36	THROTTLE LEVER RETAINING BRACKET	82	CARBURETOR SCREW
37	THROTTLE ROD	83	AIR INTAKE SOCKET SCREW
38	START ASSEMBLY	100	PUMP TUBE
39	BOSSING	101	PRIMER BULB
40	TAPPING SCREW	102	SCAVENGE TUBE
41	WASHER	103	OIL TUBE TIE-IN
42	START STRETCHING ROPE	104	OIL TUBE CLIP
43	START PLATE	105	SCAVENGE NOZZLE
44	COIL-SPRING COVER	201	ENGINE BASE
45	START COIL-SPRING		

Fig. 2



ENGINE FOR GC9937B

NO.	DESCRIPTION	NO.	DESCRIPTION
1	CYLINDER BODY	31	ADJUST SCREW
2	NUT	32	CHAIN CATCHER
3	SCREW	33	CHAIN CATCHER SCREW
4	SILENCER COVER PLATE	34	DAMPER
5	SILENCER BODY	35	SCREW
6	SILENCER SEALING PLATE	36	OIL SEAL
7	MUFFLER CONNECTING SCREW	37	IGNITER
8	SCREW	38	SCREW
9	SPARK PLUG NHSP LD L8RTF	39	EXTINCTION CONDUCTOR
10	AIR INTAKE TUBE SEALING PLATE	40	NUT
11	AIR INTAKE TUBE	41	FLYWHEEL ASSEMBLY
12	CARBURETOR SEALING PLATE	42	PUSHER DOG SCREW
13	CYLINDER SEALING PLATE	43	PUSHER DOG
14	PISTON RING	44	TORSION ROD SPRING
15	PISTON PIN	45	FLYWHEEL
16	PISTON PIN CIRCLIP	46	CLUTCH ASSEMBLY
17	PISTON	47	RETAINTER
18	NEEDLE BEARING RING	48	CLUTCH EXTENSION SPRING
19	NEEDLE BEARING	49	SHOE BLOCK
20	CRANK SHAFT COMPONENTS	50	CLUTCH ADJUSTING WASHER
21	SEMICIRCULAR KEY	51	CLUTCH SHELL
22	LEFT CRANK CASE	52	NEEDLE BEARING
23	BEARING 6201	53	WORM
24	CASE BODY SEALING PLATE	54	COVER PLATE
25	RIGHT CRANK CASE	55	OIL PUMP
26	SHIELD RING	56	OIL OUTGOING TUBE
27	OIL SEAL	57	WORM WASHER
28	SCREW	58	OIL INGOING TUBE
29	DOUBLE-SCREW BOLT	59	OIL FILTER SCREEN
30	TENSION BLOCK	60	NOZZLE

ST20101009-02