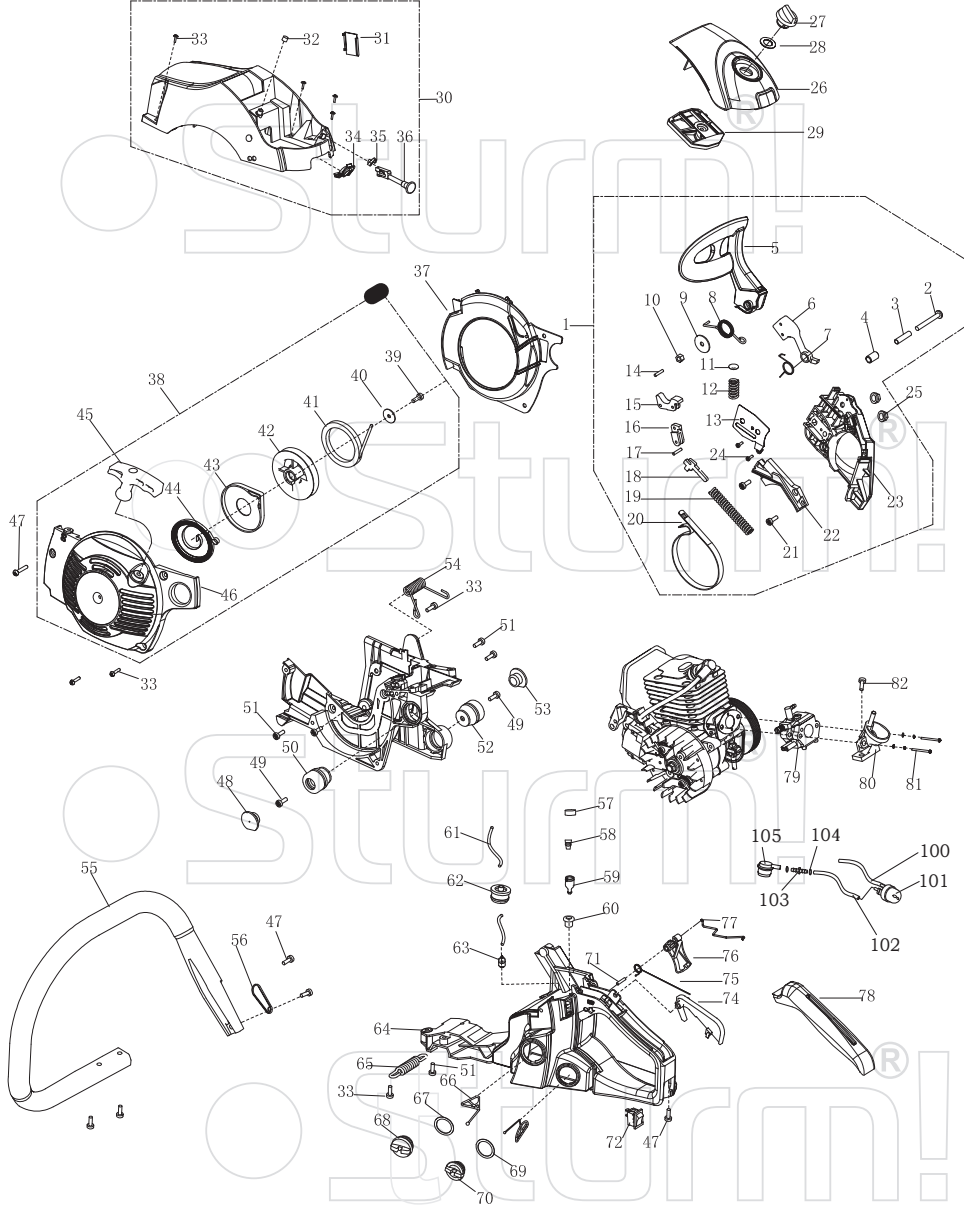
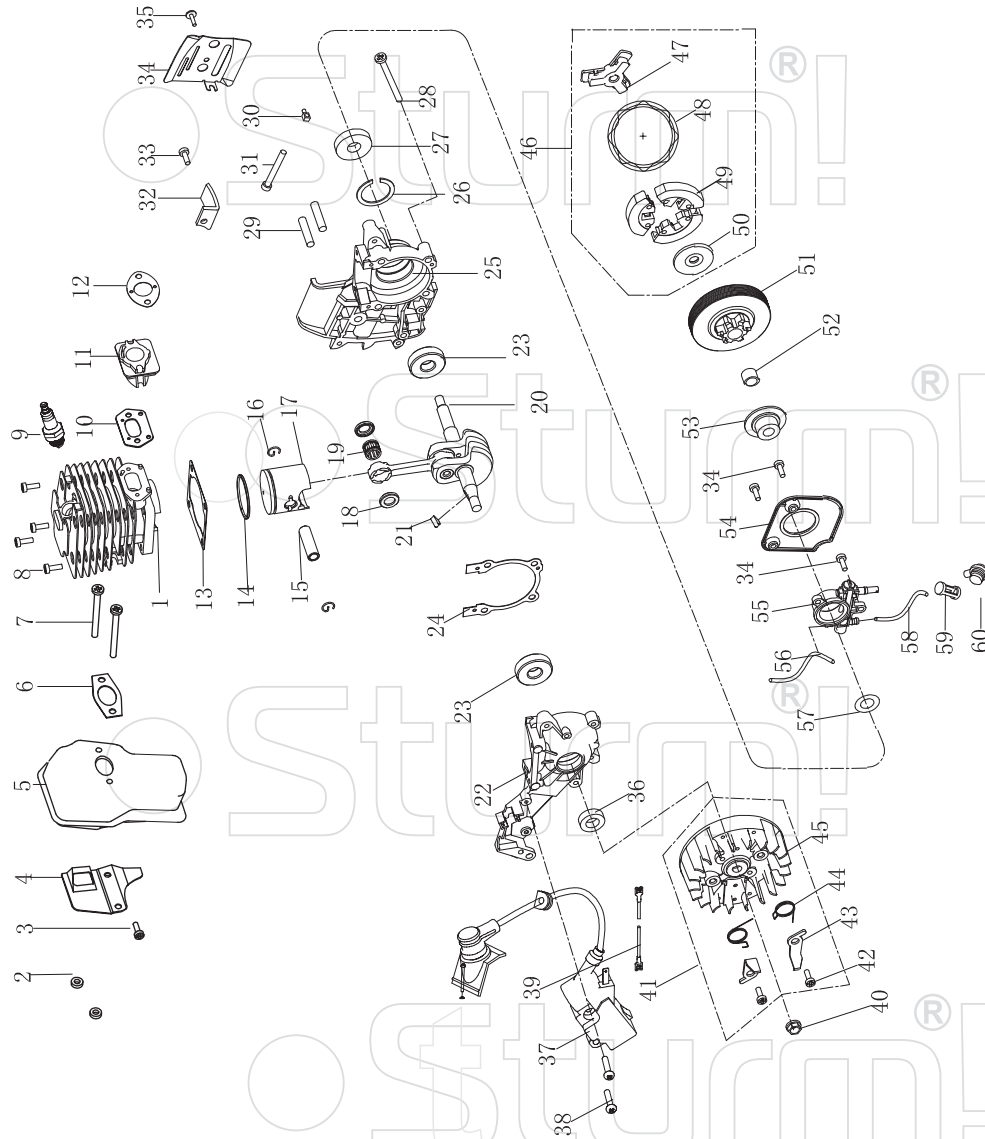


GC99416, GC99418



NO.	DESCRIPTION	NO.	DESCRIPTION
1	RIGHT COVER ASSEMBLY	46	START COVER
2	SCREW M5X40	47	TAPPING SCREW ST 4.8X25
3	SHIELD GLAND	48	DUST COVER
4	HEAVY BROCK GLAND	49	TAPPING SCREW ST 4.8X16
5	FRONT DAMPER	50	CUSHION SOCKET
6	HEAVY BROCK	51	SCREW M5X14
7	HEAVY BROCK SPRING	52	CUSHION SOCKET
8	BRAKE TORSION ROD SPRING	53	DUST COVER
9	WASHER 5.2X23X1.2	54	FRONT HANDLE SPRING
10	LOCK-NUT M5	55	FRONT HANDLE
11	SPRING BASE	56	TORSION ROD SPRING COVER PLATE
12	FRONT GUARD SPRING	57	BALANCER COVER
13	TENSIONER COVER PLATE	58	BALANCER RUBBER
14	PIN 3X14	59	BALANCER BODY
15	MAIN LEVEL	60	BALANCER ROOT
16	SECONDARY PULL-ROD	61	FUEL TUBE
17	PIN 3X9	62	TUBE ROOT
18	BRAKE CONTROL ROD	63	PETROL FILTER COMPONENTS
19	BRAKE SPRING	64	BASE
20	BRAKE STRAP	65	BASE SPRING
21	TAPPING SCREW ST4.2X12	66	ANTI-DROP PLATE
22	BRAKE SPRING COVER PLATE	67	PACKING WASHER 24 X 34 X1.5
23	RIGHT COVER	68	PETROL COVER
24	TAPPING SCREW ST4.2X9.5	69	PACKING WASHER 24X30X2
25	NUT M8	70	OIL COVER
26	AIR FILTER COVER	71	PIN 5 X 24
27	AIR FILTER LOCK NUT	72	EXTINCTION SWITCH
28	LOCK NUT WASHER 15X26X1	74	TRIGGER CONTROL RACK
29	AIR FILTER	75	TRIGGER TORSION ROD SPRING
30	UPPER COVER PLATE	76	TRIGGER
31	ANTI-FREEZE BLOCK	77	THROTTLE
32	SHOCK BLOCK	78	HANDLE COVER
33	TAPPING SCREW ST4.8X19	79	CARBURETOR
34	DUST SHIELD	80	AIR INTAKE SOCKET
35	THROTTLE LEVER RETAINING BRACKET	81	CARBURETOR SCREW
36	THROTTLE ROD	82	AIR INTAKE SOCKET SCREW
37	BOSSING	100	PUMP TUBE
38	START ASSEMBLY	101	PRIMER BULB
39	TAPPING SCREW ST 4.8 X 13	102	SCAVENGE TUBE
40	WASHER5	103	OIL TUBE TIE-IN
41	START STRETCHING WIRE3 X 920	104	OIL TUBE CLIP
42	START PLATE	105	SCAVENGE NOZZLE
43	COIL-SPRING GLAND		
44	START COIL-SPRING		
45	START HANDLE		

GC99416, GC99418



NO.	DESCRIPTION	NO.	DESCRIPTION
1	CYLINDER BODY	31	ADJUST SCREW M5X48
2	NUTM5	32	CHAIN CATCHER
3	SCREW M5X14	33	CHAIN CATCHER SCREW
4	SILENCER COVER PLATE	34	DAMPER
5	SILENCER BODY	35	SCREW M4X10
6	SILENCER SEALING PLATE	36	OIL SEAL 12X22X7
7	MUFFLER CONNECTING SCREW	37	IGNITER
8	SCREW M5 X 20	38	SCREW M4X14
9	SPARK PLUG NHSP LD L8RTF	39	EXTINCTION CONDUCTOR
10	AIR INTAKE TUBE SEALING PLATE	40	NUT M8 X 1
11	AIR INTAKE TUBE	41	FLYWHEEL ASSEMBLY
12	CARBURETOR SEALING PLATE	42	PUSHER DOG SCREW
13	CYLINDER SEALING PLATE	43	PUSHER DOG
14	PISTON RING	44	TORSION ROD SPRING
15	PISTON PIN	45	FLYWHEEL
16	PISTON PIN CIRCLIP	46	CLUTCH ASSEMBLY
17	PISTON	47	RETAINER
18	NEEDLE BEARING RING	48	CLUTCH EXTENSION SPRING
19	NEEDLE BEARING 10X14X11	49	SHOE BLOCK
20	CRANK SHAFT COMPONENTS	50	CLUTCH ADJUSTING WASHER
21	SEMICIRCULAR KEY 3X3.5X10	51	CLUTCH SHELL
22	LEFT CRANK CASE	52	NEEDLE BEARING 10 X 13 X 13
23	BEARING 6201	53	WORM
24	CASE BODY SEALING PLATE	54	COVER PLATE
25	RIGHT CRANK CASE	55	OIL PUMP
26	SHIELD RING 32	56	OIL OUTGOING TUBE 3X6.5X80
27	OIL SEAL 12X32X5.5	57	WORM WASHER 10 X 18 X 1
28	SCREW M5 X 30	58	OIL INGOING TUBE 3.3 X 6.5 X 68
29	DOUBLE-SCREW BOLT AYM8-M8X26-8.8	59	OIL FILTER SCREEN
30	TENSION BLOCK	60	NOZZLE

ST20100902-01