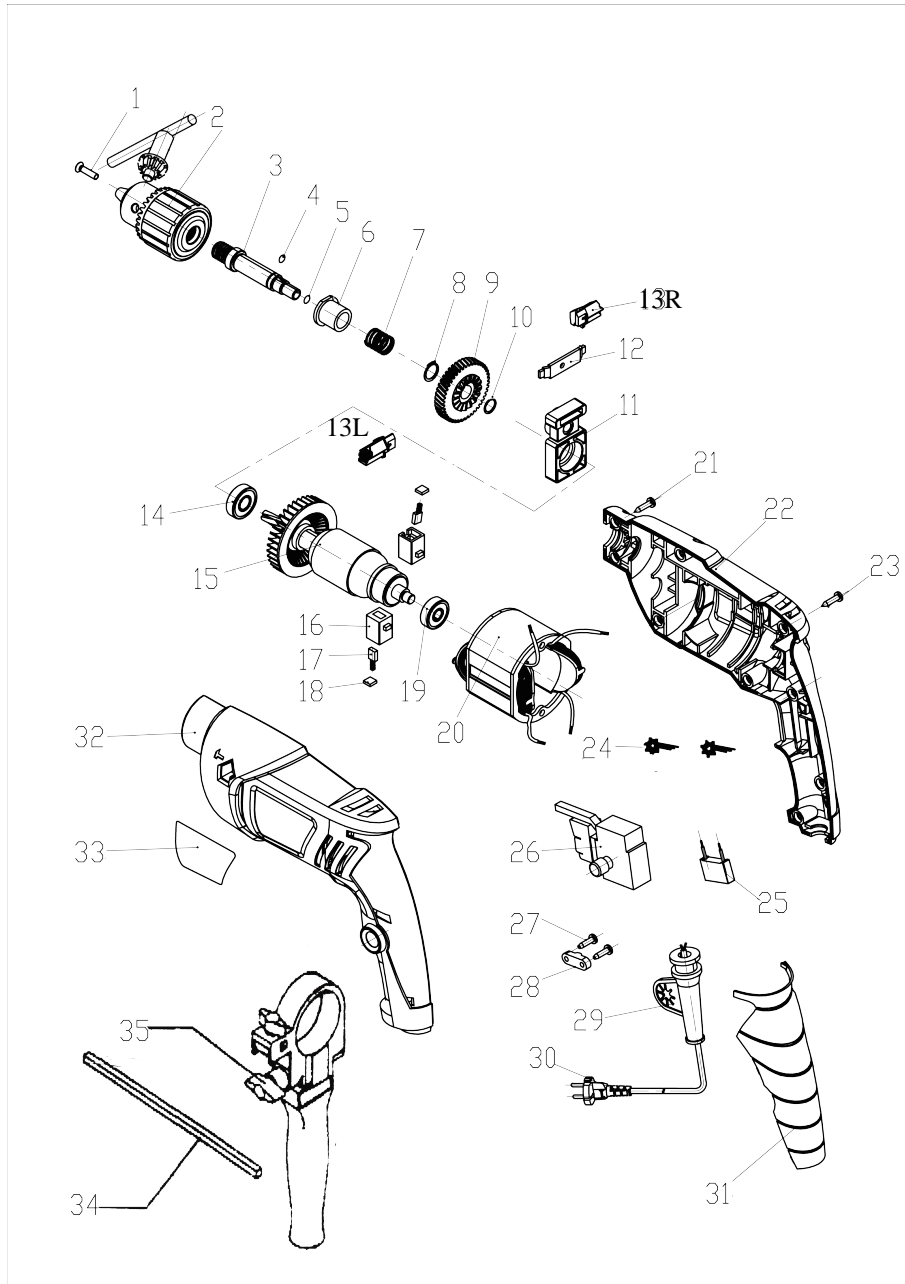


ID-2185X



NO.	DESCRIPTION	NO.	DESCRIPTION
1	chuck Screw	19	Bearing 607
2	Chuck	20	Stator
3	Spindle	21	Screw
4	Steel ball $\phi 3$	22	Right housing
5	Steel ball $\phi 5$	23	Screw
6	Big steel bushing	24	Inductance
7	Spring	25	Capacitor
8	Gasket of spindle $\phi 12$	26	Switch
9	Big gear	27	Screw
10	Gasket of spindle $\phi 8$	28	Strain relief
11	Holder	29	Cable guard
12	Impact iron	30	Cable
13	Impact button	31	Sheet
14	Bearing 608	32	Left housing
15	Rotor	33	Name plate
16	Carbon brush holder	34	Ruler
17	Carbon brush	35	Side handle
18	Carbon brush cover		