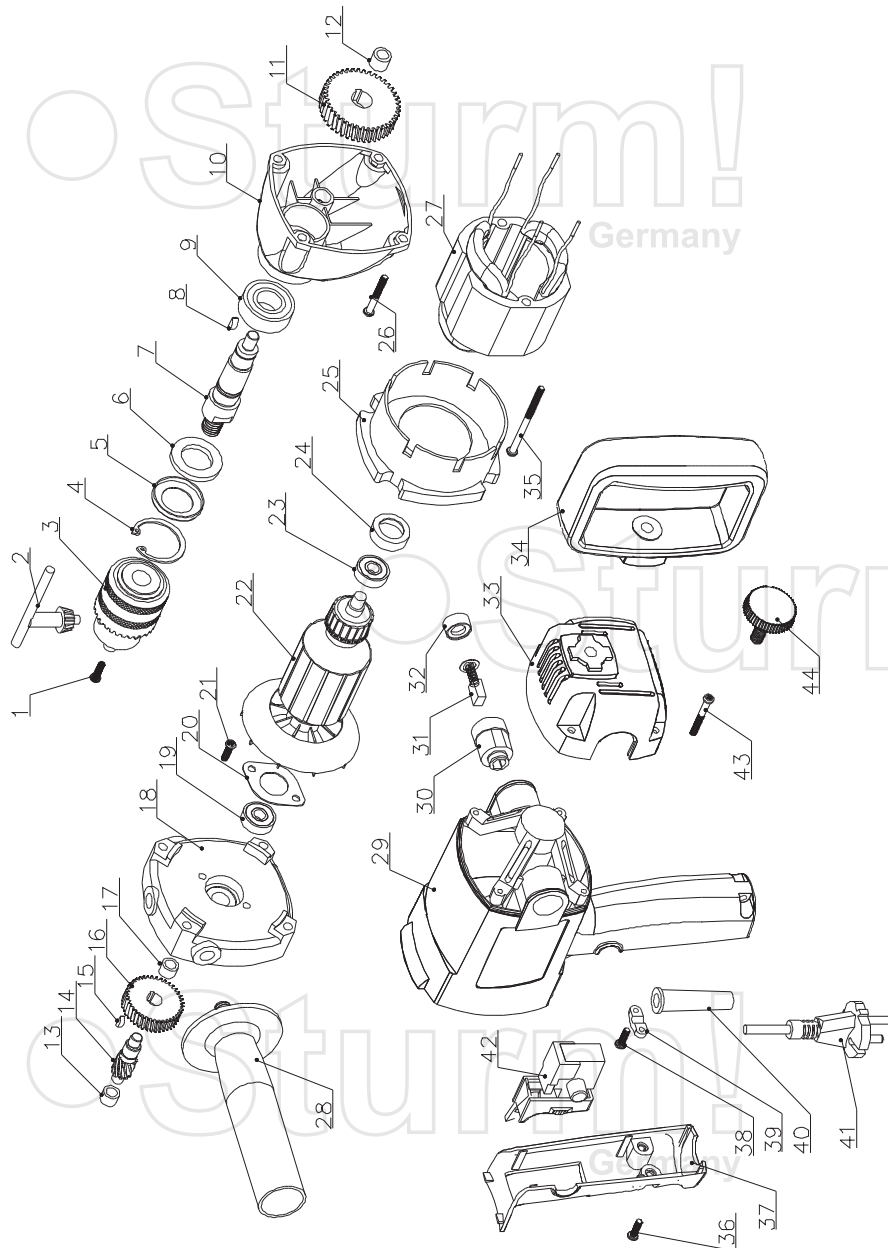


# ID2013



NO.	DESCRIPTION	NO.	DESCRIPTION
1	SCREW	24	BEARING BUSH
2	KEY FOR CHUCK	25	WIND GUARD
3	CHUCK	26	SCREW
4	CIRCLIP	27	STATOR
5	BUTTER CLOSE OVER	28	HANDLE
6	WOOLEN RING	29	HOUSING
7	OUTPUT SHAFT	30	BRUSH HOLDER
8	KEY	31	CARBON BRUSH
9	6003Z BEARING	32	BRUSH COVER
10	HEAD SHELL	33	REAR COVER
11	BIG GEAR	34	ASSISTANT HANDLE
12	HK0810 NEEDLE BEARING	35	SCREW
13	HK0709 NEEDLE BEARING	36	SCREW
14	MIDDLE GEAR SHAFT	37	HANDLE COVER
15	KEY	38	SCREW
16	NO.2 GEAR	39	CORD CLAMP
17	HK0709 NEEDLE BEARING	40	CORD SLEEVE
18	MIDDLE COVER	41	PLUG
19	6000Z BEARING	42	SWITCH
20	BEARING COVER	43	SCREW
21	SCREW	44	SCREW FOR HANDLE
22	ROTER	45	SPRING WASHER
23	608Z BEARING		