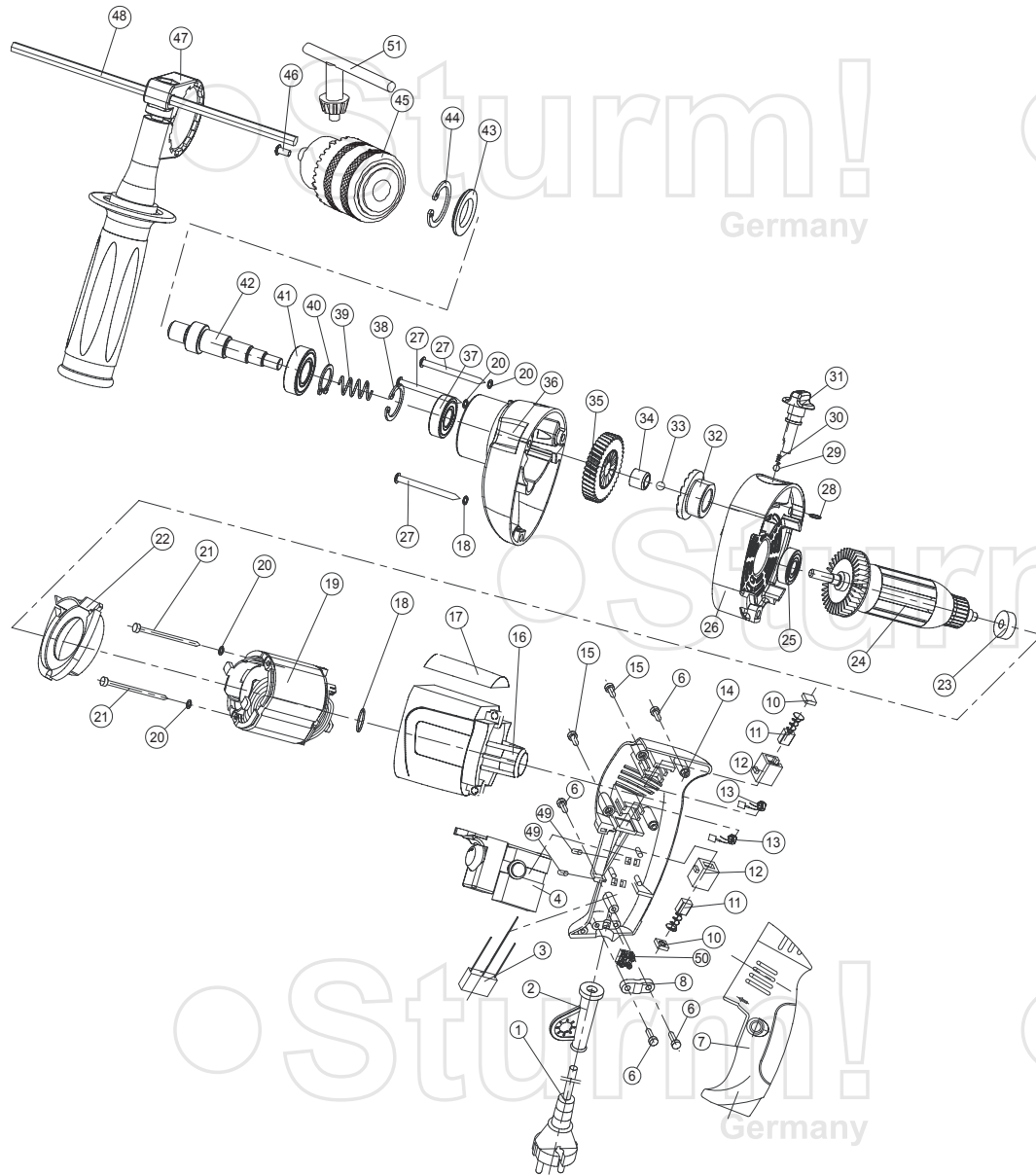


# ID2076A



| NO. | DESCRIPTION   | NO. | DESCRIPTION         |
|-----|---------------|-----|---------------------|
| 1   | CABLE         | 27  | TAPPING SCREW       |
| 2   | CABLE ARBOR   | 28  | CIRCLIP FOR SHAFT   |
| 3   | CAPACITOR     | 29  | BALL                |
| 4   | SWITCH        | 30  | SPRING              |
| 6   | TAPPING SCREW | 31  | KNOB                |
| 7   | LEFT HANDLE   | 32  | GEAR                |
| 8   | CABLE CLIP    | 33  | BALL                |
| 10  | BRUSH CAP     | 34  | BEARING             |
| 11  | CARBON BRUSH  | 35  | GEAR                |
| 12  | BRUSH HOLDER  | 36  | GEAR BOX            |
| 13  | INDUCTOR      | 37  | BEARING 6001        |
| 14  | RIGHT HANDLE  | 38  | CIRCLIP FOR HOLE28  |
| 15  | TAPPING SCREW | 39  | SPRING              |
| 16  | HOUSING       | 40  | CIRCLIP FOR SHAFT15 |
| 17  | COVER BOARD   | 41  | BEARING 6002        |
| 18  | RUBBER RING   | 42  | OUTPUT SPINDLE      |
| 19  | STATOR        | 43  | SEAL RING           |
| 20  | PLANE WASHER  | 44  | CIRCLIP FOR HOLE32  |
| 21  | TAPPING SCREW | 45  | CHUCK               |
| 22  | FAN GUIDE     | 46  | SCREW               |
| 23  | BEARING 607   | 47  | SIDE HANDLE         |
| 24  | ROTOR         | 48  | SCALE               |
| 25  | BEARING 609   | 49  | PIN                 |
| 26  | SUPPORTER     | 50  | TERMINAL            |
|     |               | 51  | KEY FOR CHUCK       |

RU70301-1