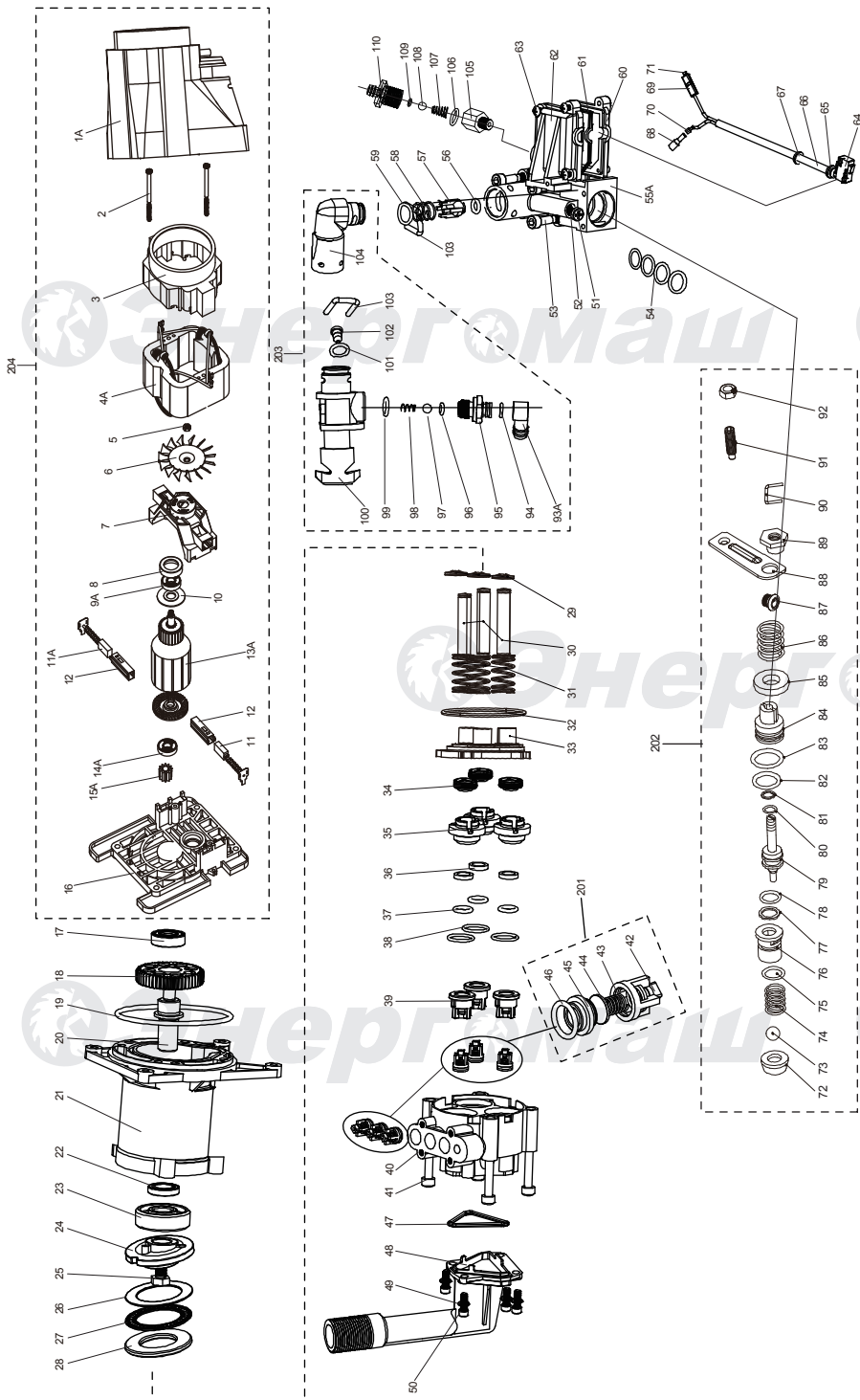


MB-92230

NO.	DESCRIPTION	NO.	DESCRIPTION
1	RIGHT HOUSING COVER	33	SCREW
2	KNOB COVER	34	BOLT
3	KNOB	35	SCREW
4	RIGHT HOUSING	36	SCREW
5	SCREW	37	UPPER HANDLE
6	INNER HIGH PRESSURE HOSE	38	DOWN HANDLE
7	SWITCH BOX COVER	39	METAL HANDLE
8	SWITCH JOINT LEVER	40	BOLT
9	SWITCH	41	SCREW
10	WATER HOSE CONNETOR	42	SCREW
11	WATER HOSE ADPATER	43	CABLE HOOK
12	WATER FILTER	44	SCREW
13	MOTOR & PUMP ASSY COVER	45	SCREW
14	SCREW	46	ACCESSORY BOX
15	DETERGENT BOTTLE COVER	47	SCREW
16	DETERGENT BOTTLE	48	LEFT HOUSING
17	HOSE REEL HANDLE	49	WHEEL
18	PIN	50	WHEEL COVER
19	HOSE REEL HANDLE HOLD	51	CABLE
20	HOSE REEL BIG STENTS(RIGHT)	52	CABLE SLEEVE
21	HOSE REEL HANDLE SHAFT	53	SCREW
22	HOSE REEL(RIGHT)	54	CABLE CLAMP
23	HOSE REEL(LEFT)	55	ROUDN CABLE CLAMP
24	MOTOR & PUMP	56	INSERT PIECE
25	SCREW	57	RABBET
26	HOSE REEL BIG STENTS(LEFT)	58	LANCE
27	U-SHAPE PIN	59	SPRAY GUN
28	HIGH PRESSURE HOSE CONNECTOR	60	CLEANER NEEDLE
29	SCREW	61	HIGH PRESSURE HOSE
30	SCREW	62	HOSE
31	HOSE REEL BIG STENTS COVER(LEFT)	63	PROTECTION SLEEVE
32	HOSE REEL BIG STENTS COVER(RIGHT)	64	RING

EN20131211-01



ЭЛЕКТРОДВИГАТЕЛЬ ДЛЯ МВ-92230

NO.	DESCRIPTION	NO.	DESCRIPTION
1A	CAP OF MOTOR COVER	58	ONE-WAY VALVE SPRING
2	SCREW	59	O-RING
3	MOTOR COVER	60	MICROSWITCH SOCKET COVER
4A	STATOR	61	MICROSWITCH COVER SEALING
5	NUT	62	MICROSWITCH SOCKET
6	ALUMINUM FAN	63	MICROSWITCH SCREW
7	MOTOR BRACKET 1	64	MICROSWITCH
8	BEARING BUSH	65	MICROSWITCH ROUND JACKET
9A	BEARING 629Z	66	MICROSWITCH CABLE
10	INSULATION BOARD	67	MICROSWITCH SQUARE JACKET
11A	CARBON BRUSH	68	PLASTIC JACKET
12	BRUSH HOLDER	69	SQUARE PLASTIC JACKET
13A	ROTOR	70	RECEPTACLE
14A	BEARING 629Z	71	PLATE
15A	PINION	72	STEEL BALL COVER
16	MOTOR BRACKET 2	73	STEEL BALL
17	BEARING 629Z	74	SPILL VALVE SPRING
18	BIG GEAR	75	SPILL VALVE O-RING
19	O-RING	76	SPILL VALVE SHEEL
20	SHAFT	77	VALVE CORE BIG BAFFLE RING
21	PUMP PEDESTAL ASSY	78	O-RING
22	OIL SEAL	79	SPILL VALVE CORE
23	BEARING 6302Z	80	O-RING
24	WOBBLE PLATE	81	VALVE CORE SMALL BAFFLE RING
25	WOBBLE PLATE NUT	82	O-RING
26	THRUST BEARING THIN BOARD	83	O-RING
27	THRUST BEARING ROLLER	84	SPILL VALVE COVER
28	THRUST BEARING THICK BOARD	85	VALVE SHEATH BAFFLE RING
29	SPRING BASE	86	SPILL VALVE SPRING
30	PISTION	87	LEVER COVER
31	PISTION SPRING	88	LINK LEVER
32	SPECIAL SHAPED RING	89	LINK LEVER NUT
33	PISTION BODY	90	U-PIN
34	OIL SEAL	91	LEVER
35	PILOT SHEATH	92	LEVER NUT
36	WATER SEAL	93A	CONNECTOR COVER
37	SMALL O-RING	94	O-RING
38	BIG O-RING	95	CONNECTOR
39	ONE WAY VALVE PRESS BOARD	96	O-RING
40	PUMP BODY	97	STEEL BALL
41	BOLT	98	SPRING
42	ONE WAY VALVE SEAT	99	O-RING
43	ONE WAY VALVE SPRING	100	SUCTION OUTLET TUBE
44	ONE WAY VALVE DOOR	101	O-RING
45	ONE WAY VALVE COVER	102	NOZZLE
46	ONE WAY VALVE O-RING	103	U-PIN
47	O-RING	104	CURVING CONNECTOR
48	INLET TUBE	105	VENT VALVE
49	WASHER	106	O-RING
50	BOLT	107	SPRING
51	SLOTTED CHEESE HEAD SCREWS	108	STEEL BALL
52	O-RING	109	O-RING
53	BOLT	110	VENT VALVE CORE
54	O-RING	201	ONE WAY VALVE ASSY
55A	MANIFOLD	202	SPILL VALVE ASSY
56	O-RING	203	SUCTION VALVE ASSY
57	ONE-WAY VALVE CORE	204	MOTOR ASSY