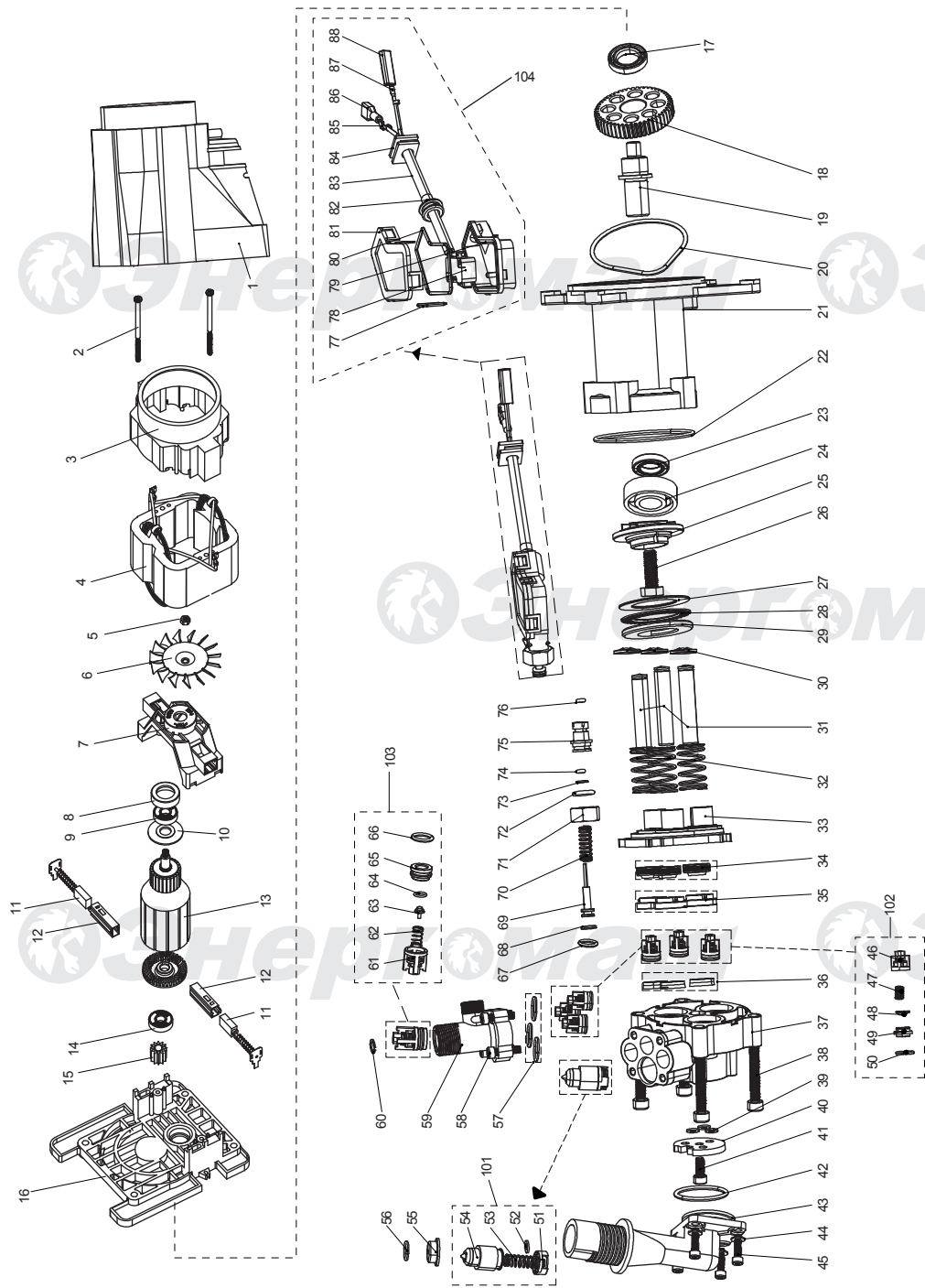


MB-92150

NO.	DESCRIPTION	NO.	DESCRIPTION
1	LEFT HOUSING	17	WATER FILTER
2	POWER SWITCH	18	SCREW
3	SCREW	19	ACCESSORIES WRAP
4	SWITCH COVER	20	WHEEL COVER
5	MOTOR AND PUMP ASSY	21	WHEEL
6	RIGHT HOUSING	22	MOTOR STAND RUBBER PAD
7	SCREW	23	CABLE CLAMP
8	CABLE HOOK	24	SCREW
9	SCREW	25	INSERT PIECE
10	VARIABLE NOZZLE	26	PLASTIC JACKET
11	LANCE	27	CAPACITOR
12	SPRAY GUN	28	PLASTIC JACKET
13	HIGH PRESSURE HOSE	29	INSERT PIECE
14	SOAP BOTTLE ASSY	30	CABLE JACKET
15	NOZZLE CLEANER	31	CABLE & PLUG
16	WATER FILTER O-RING	32	CABLE JACKET

EN20130408



ЭЛЕКТРОДВИГАТЕЛЬ ДЛЯ МВ-92150

NO.	DESCRIPTION	NO.	DESCRIPTION
1	CAP OF MOTOR COVER	47	ONE-WAY VALVE SPRING
2	SCREW	48	ONE-WAY VALVE DOOR
3	MOTOR COVER	49	ONE-WAY VALVE COVER
4	STATOR	50	ONE-WAY VALVE COVER O-RING
5	NUT	51	SPILL VALVE COVER
6	METAL FAN	52	SPILL VALVE WASHER
7	ROTOR BRACKET 1	53	SPILL VALVE SPRING
8	BEARING BUSH	54	SPILL VALVE SEAT
9	BEARING 608Z	55	SPILL VALVE END COVER
10	INSULATION PIECE	56	O-RING
11	CARBON BRUSH	57	O-RING
12	BRUSH HOLDER	58	SCREW
13	ROTOR	59	MANIFOLD
14	BEARING 608Z	60	CIRCLIP
15	PINION	61	VALVE SEAT
16	ROTOR BRACKET 2	62	VALVE SPRING
17	BEARING 629Z	63	ONE-WAY VALVE CORE
18	GEAR	64	O-RING
19	SHAFT	65	VALVE COVER
20	O-RING	66	O-RING
21	PUMP PEDESTAL ASSY	67	O-RING
22	SPECIAL SHAPED RING	68	VALVE CORE BAFFLE RING
23	OIL SEAL	69	VALVE CORE
24	BEARING 6202Z	70	SPRING
25	WOBBLE PLATE	71	NUT
26	WOBBLE PLATE SCREW	72	O-RING
27	THRUST BEARING THIN BOARD	73	VALVE SHEATH LITTLE BAFFLE RING
28	THRUST BEARING ROLLER	74	O-RING
29	THRUST BEARING THICK BOARD	75	SPILL VALVE SHEATH
30	SPRING BASE	76	O-RING
31	PISTON	77	U-PIN
32	PISTON SPRING	78	MICROSWITCH
33	PISTON BODY	79	MICROSWITCH SEAT
34	OIL SEAL	80	MICROSWITCH SEAL RING
35	PILOT SHEATH	81	MICROSWITCH COVER
36	WATER SEAL	82	MICROSWITCH ROUND JACKET
37	PUMP BODY	83	WIRE
38	SCREW	84	CABLE JACKET
39	ONE-WAY VALVE WASHER	85	INSERT PIECE
40	PLATE	86	PLASTIC JACKET
41	SCREW	87	INSERT PIECE
42	O-RING	88	PLASTIC JACKET
43	INLET TUBE	101	SPILL VALVE ASSY
44	WASHER	102	ONE WAY VALVE ASSY
45	SCREW	103	OUTLET ONE WAY VALVE ASSY
46	ONE-WAY VALVE SEAT	104	MICRO SWITCH ASSY

EN20130408