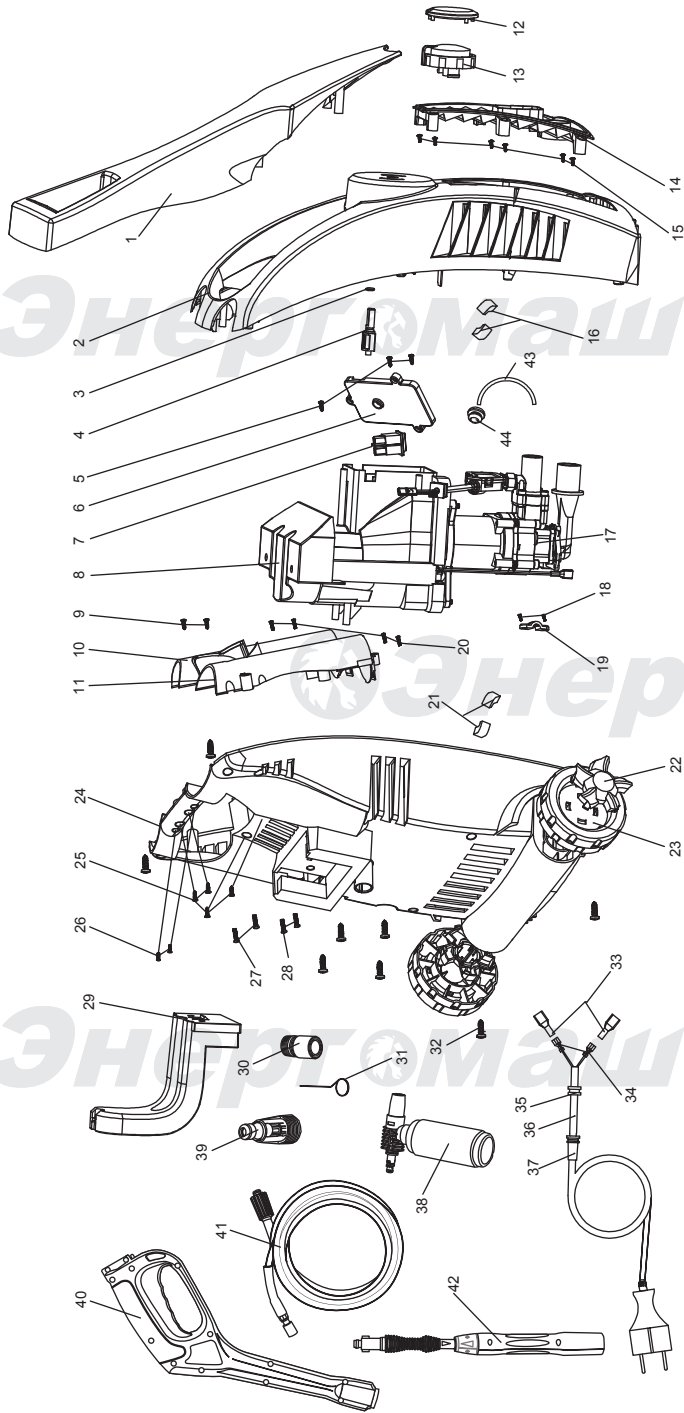
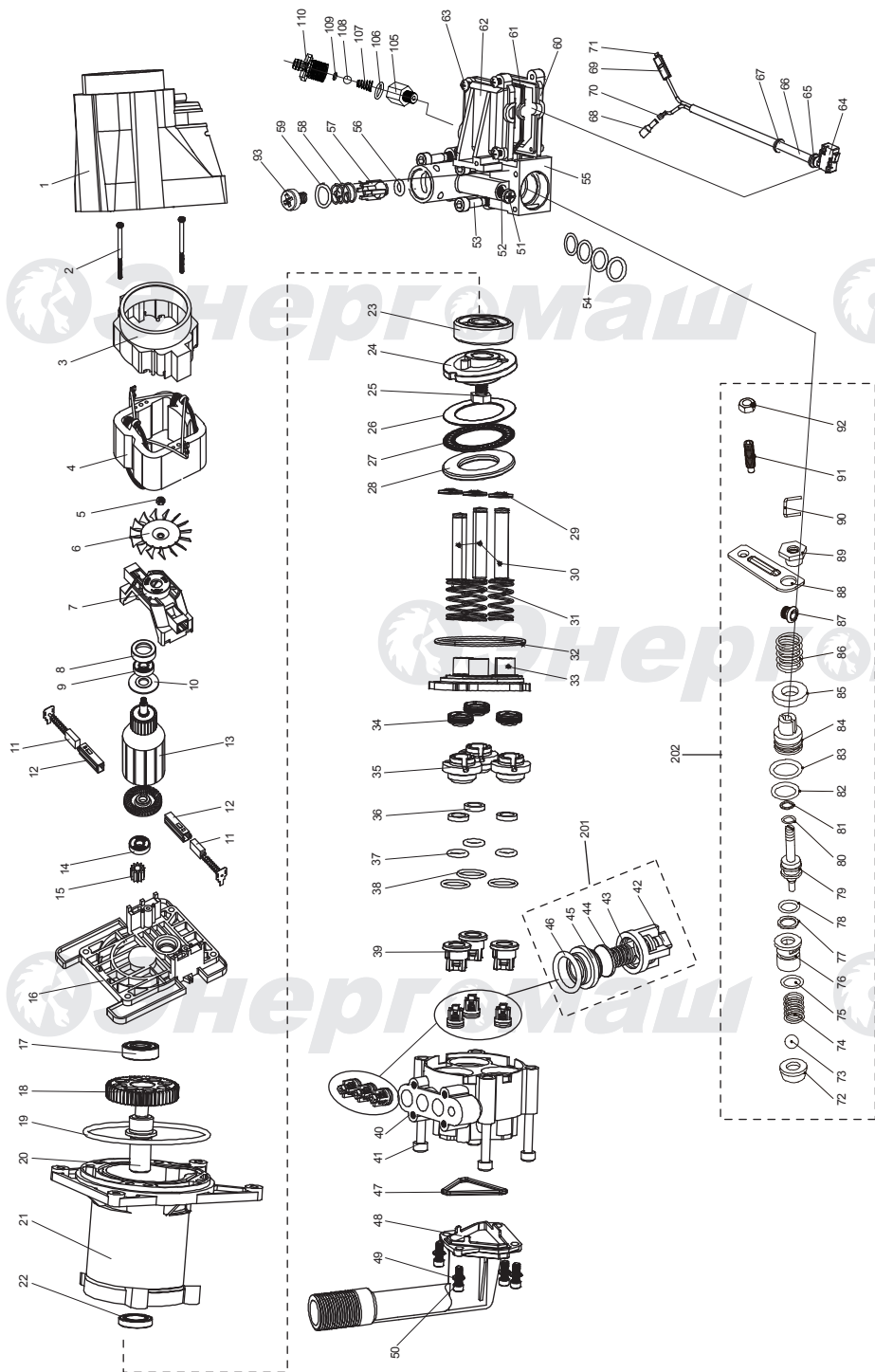


## MB-92201

NO.	DESCRIPTION	NO.	DESCRIPTION
1	HANDLE	23	WHEEL
2	RIGHT HOUSING	24	LEFT HOUSING
3	O-RING	25	SCREW
4	SWITCH CONNECTING ROD	26	SCREW
5	SCREW	27	SCREW
6	SWITCH BOX COVER	28	SCREW
7	SWITCH	29	CABLE HOOK
8	MOTOR & PUMP ASSY COVER	30	WATER HOSE CONNECTOR
9	SCREW	31	CLEANER NEEDLE
10	RIGHT ACCSSORY HOLDER	32	SCREW
11	LEFT ACCSSORY HOLDER	33	INSULATION COVER
12	SWITCH KNOB COVER	34	INSERT PIECE
13	SWITCH KNOB	35	ROUND CABLE SLEEVE
14	RIGHT HOUSING COVER	36	CABLE & PLUG
15	SCREW	37	CABLE SLEEVE
16	RUBBER BLANKET	38	DETERGENT BOTTLE
17	MOTOR & PUMP ASSY	39	WATER FILTER
18	SCREW	40	SPRAY GUN
19	CABLE SLEEVE	41	HIGH PRESSURE HOSE
20	SCREW	42	LANCE
21	RUBBER BLANKET	43	HOSE
22	WHEEL COVER	44	PROTECTION SLEEVE

EN20130408





## ЭЛЕКТРОДВИГАТЕЛЬ ДЛЯ МВ-92201

NO.	DESCRIPTION	NO.	DESCRIPTION
1	CAP OF MOTOR COVER	52	O-RING
2	SCREW	53	BOLT
3	MOTOR COVER	54	O-RING
4	STATOR	55	MANIFOLD
5	NUT	56	O-RING
6	ALUMINUM FAN	57	ONE-WAY VALVE CORE
7	MOTOR BRACKET 1	58	ONE-WAY VALVE SPRING
8	BEARING BUSH	59	O-RING
9	BEARING 608Z	60	MICROSWITCH SOCKET COVER
10	INSULATION BOARD	61	MICROSWITCH COVER SEALING
11	CARBON BRUSH	62	MICROSWITCH SOCKET
12	BRUSH HOLDER	63	MICROSWITCH SCREW
13	ROTOR	64	MICROSWITCH
14	BEAIRNG 608Z	65	MICROSWITCH ROUND JACKET
15	PINION	66	MICROSWITCH CABLE
16	MOTOR BRACKET 2	67	MICROSWITCH SQUARE JACKET
17	BEARING 629Z	68	PLASTIC JACKET
18	BIG GEAR	69	SQUARE PLASTIC JACKET
19	O-RING	70	RECEPTACLE
20	SHAFT	71	PLATE
21	PUMP PEDESTAL ASSY	72	STEEL BALL COVER
22	OIL SEAL	73	STEEL BALL
23	BEARING 6302Z	74	SPILL VALVE SPRING
24	WOBBLE PLATE	75	SPILL VALVE O-RING
25	WOBBLE PLATE NUT	76	SPILL VALVE SHEEL
26	THRUST BEARING THIN BOARD	77	VALVE CORE BIG BAFFLE RING
27	THRUST BEARING ROLLER	78	O-RING
28	THRUST BEARING THICK BOARD	79	SPILL VALVE CORE
29	SPRING BASE	80	O-RING
30	PISTION	81	VALVE CORE SMALL BAFFLE RING
31	PISTION SPRING	82	O-RING
32	SPECIAL SHAPED RING	83	O-RING
33	PISTION BODY	84	SPILL VALVE COVER
34	OIL SEAL	85	VALVE SHEATH BAFFLE RING
35	PILOT SHEATH	86	SPILL VALVE SPRING
36	WATER SEAL	87	LEVER COVER
37	SMALL O-RING	88	LINK LEVER
38	BIG O-RING	89	LINK LEVER NUT
39	ONE WAY VALVE PRESS BOARD	90	U-PIN
40	PUMP BODY	91	LEVER
41	BOLT	92	LEVER NUT
42	ONE WAY VALVE SEAT	93	FIX NUT
43	ONE WAY VALVE SPRING	105	VENT VALVE
44	ONE WAY VALVE DOOR	106	O-RING
45	ONE WAY VALVE COVER	107	SPRING
46	ONE WAY VALVE O-RING	108	STEEL BALL
47	O-RING	109	O-RING
48	INLET TUBE	110	VENT VALVE CORE
49	WASHER	201	ONE WAY VALVE ASSY
50	BOLT	202	SPILL VALVE ASSY
51	SLOTTED CHEESE HEAD SCREWS		