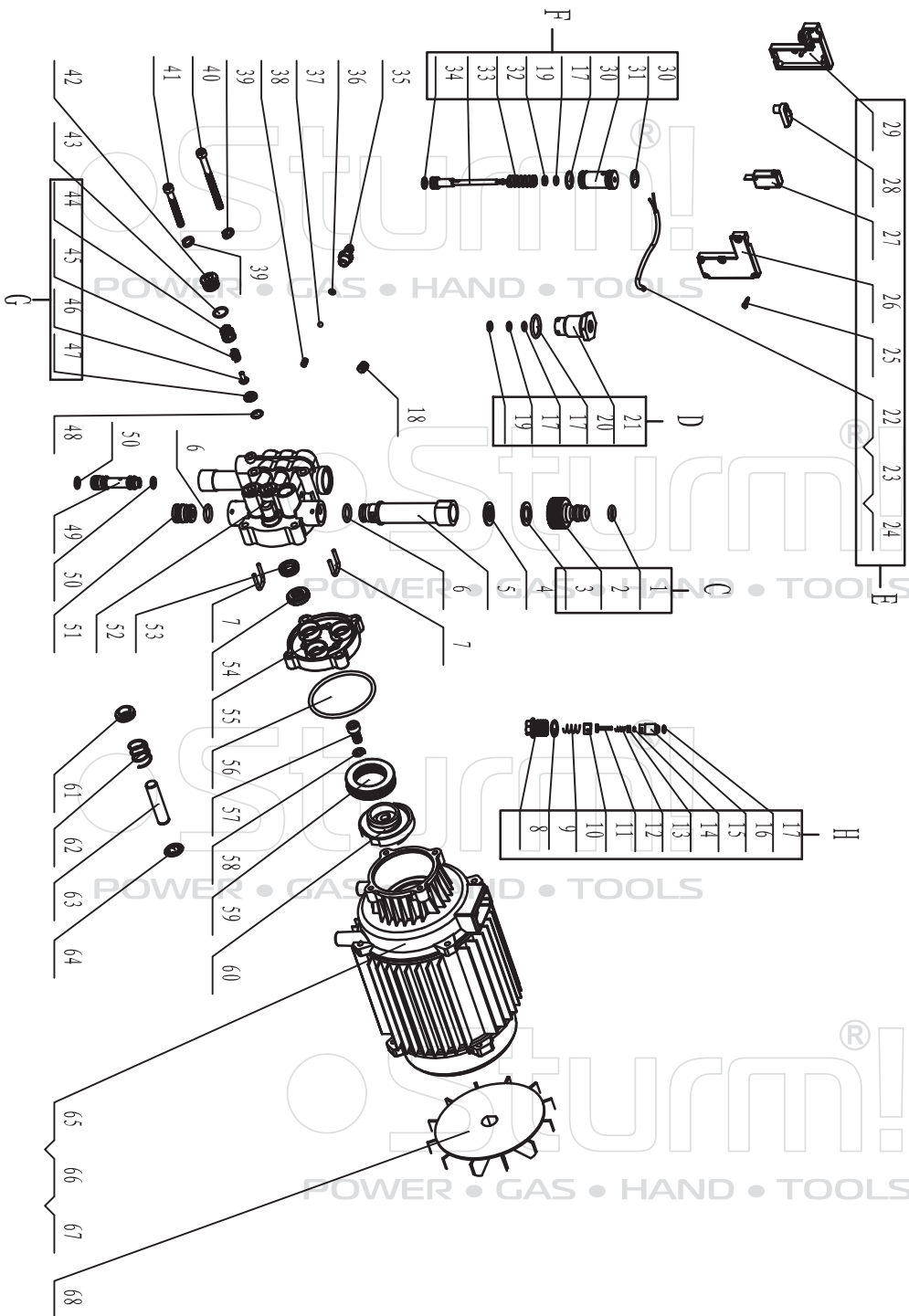


PW9230

NO.	DESCRIPTION	NO.	DESCRIPTION
1	JUMP RING	35	JACKET OF SPRING STEEL WIRE
2	WIND JOINT	36	RIGHT GUN SEAT
3	O-RING	37	LEFT GUN SEAT
4	O-RING	38	PADS OF MOTOR
5	WIND CORE	39	PUMP & MOTOR
6	WIND FRAMEWORK (A)	40	CAPACITOR BOX
7	WIND (A)	41	SWITCH
8	8 M HIGH PRESSURE HOSE	42	COVER OF CABLE
9	WINDING BOBBIN (B)	43	CAPACITOR
10	WINDING BOBBIN (A)	44	SCREW
11	WIND (B)	45	SWITCH JOINT
12	TAPPING SCREW	46	LID OF CAPACITOR BOX
13	HANDLE LINK	47	SWITCH KNOB
14	WIND FRAMEWORK (B)	48	TAPPING SCREW
15	STOP PIN SLEEVE	49	TOP COVER
16	TAPPING SCREW	50	INLET WATER DUST CAP
17	HANDLE FRAMEWORK	51	RIGHT DECORATIVE COVER
18	HANDLE	52	LEFT DECORATIVE COVER
19	TAPPING SCREW	53	FACEPLATE
20	STOP PIN	54	CABLE
21	DETERGENT BOTTLE LID	55	INSERTS SPRING
22	DETERGENT BOTTLE	56	JACKET OF INSERTS SPRING
23	HANGER	57	EARTHING END
24	TAPPING SCREW	58	NUT
25	INTERNAL HEXAGONAL BOLT	59	SHORT HIGH PRESSURE HOSE
26	CABLE BOX	60	WIND SCOOPER
27	OUT WATER DUST CAP	61	PLUG BAFFLE
28	WHEEL COVER	62	HANDLE
29	JUMP RING	63	HANDLE PRESSURE PAD
30	WHEEL PRESSURE PAD	64	DETERGENT BOTTLE HOSE
31	WHEEL	65	SPRAY GUN
32	SHAFT OF WHEEL	A	CABLE MODULE
33	BASE COVER	B	HIGH PRESSURE HOSE WINDER MODULE
34	CABLE PRESSURE PAD		

ST20110214



PUMP&MOTOR FOR PW9230

NO.	DESCRIPTION	NO.	DESCRIPTION
1	O-RING	38	SUCTION SPRING
2	WATER INLET JOINT	39	SPRING SHIM
3	FOURSQUARE SHIM	40	INTERNAL HEXAGONAL BOLT
4	FILTER NET	41	INTERNAL HEXAGONAL BOLT
5	WATER INLET CONNECTOR	42	SCREW OF IN/OUT VALVE
6	O-RING	43	O-RING
7	U-PIN	44	BODY OF IN/OUT VALVE
8	KEEP PRESSURE SCREW	45	SPRING OF IN/OUT VALVE
9	O-RING	46	CORE OF IN/OUT VALVE
10	SPRING	47	BASE OF IN/OUT VALVE
11	VALVE COVER	48	O-RING
12	VALVE HANDLE	49	SUCTION NOZZLE
13	SPRING	50	O-RING
14	PRESSURE RING	51	BLOCK OF WATER INLET
15	O-RING	52	PUMP HEAD
16	VALVE BOBY	53	Y SEAL RING
17	O-RING	54	ORIENTED COVER
18	BLOCK CHAPIER	55	INTERMEDIATE BODY
19	PRESSURE RING	56	O-RING
20	O-RING	57	INTERNAL HEXAGONAL BOLT
21	END COVER	58	SPRING SHIM
22	STOP SYSTEM CABLE	59	THRUST FORCE BALL BEARING
23	INSERTS SPRING 6.3	60	BEARING HOUSING
24	PROTECTOR OF INSERTS SPRING	61	SKELETON RING
25	TAPPING SCREW	62	PLUNGER SEAL SPRING
26	LID OF MICROSWITCH BOX	63	PLUNGER
27	MICROSWITCH	64	PLUNGER FOLLOWER
28	PUSH ARM	65	MOTOR
29	MICROSWITCH BOX	66	EARTHING SCREW
30	O-RING	67	EARTHING SHIM
31	PROTECTOR OF SLIDE-VALVE	68	FAN
32	SPRING	C	WATER INLET JOINT MODULE
33	SLIDE-VALVE	D	END COVER MODULE
34	O-RING	E	AU-STOP SWITCH MODULE
35	SUCTION CONNECTOR	F	SPILLOVER VALVE MODULE
36	O-RING	G	ONE-WAY VALVE MODULE
37	SUCTION STEEL BALL	H	PRESSURE MAINTAINING VALVE MODULE

ST20110214