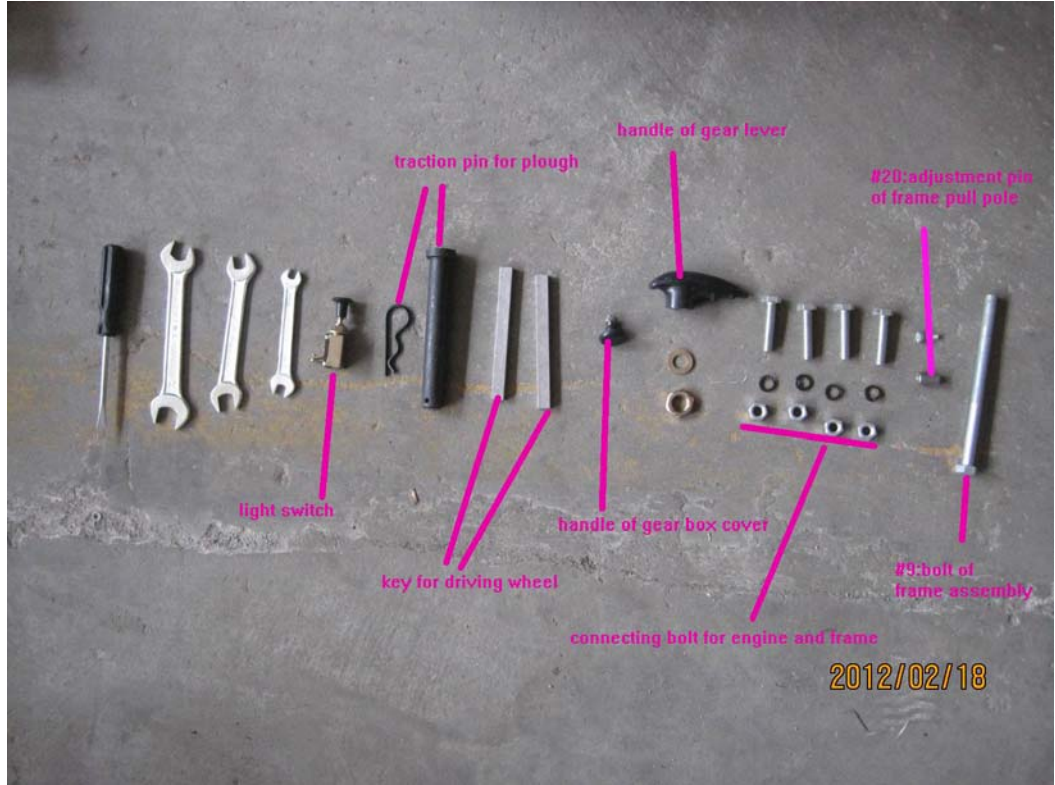


Walking tractor assembly scheme

一、Accessory

1. For Baumaster DT-8807X and ENERGOMASH DT-8807

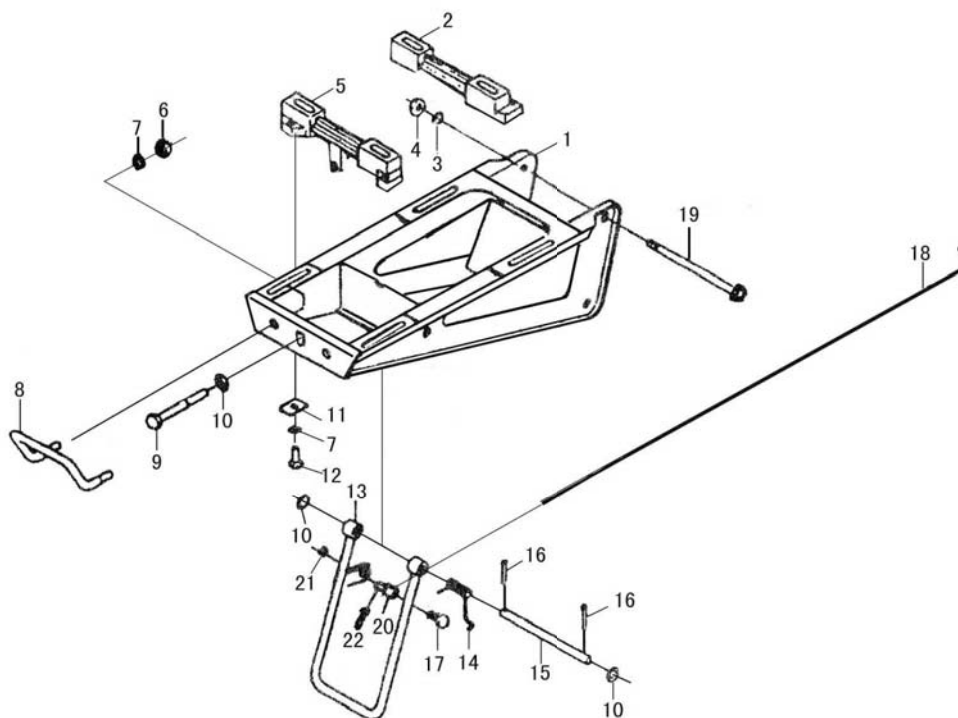


2. For Baumaster DT-8809X and ENERGOMASH DT-8809E



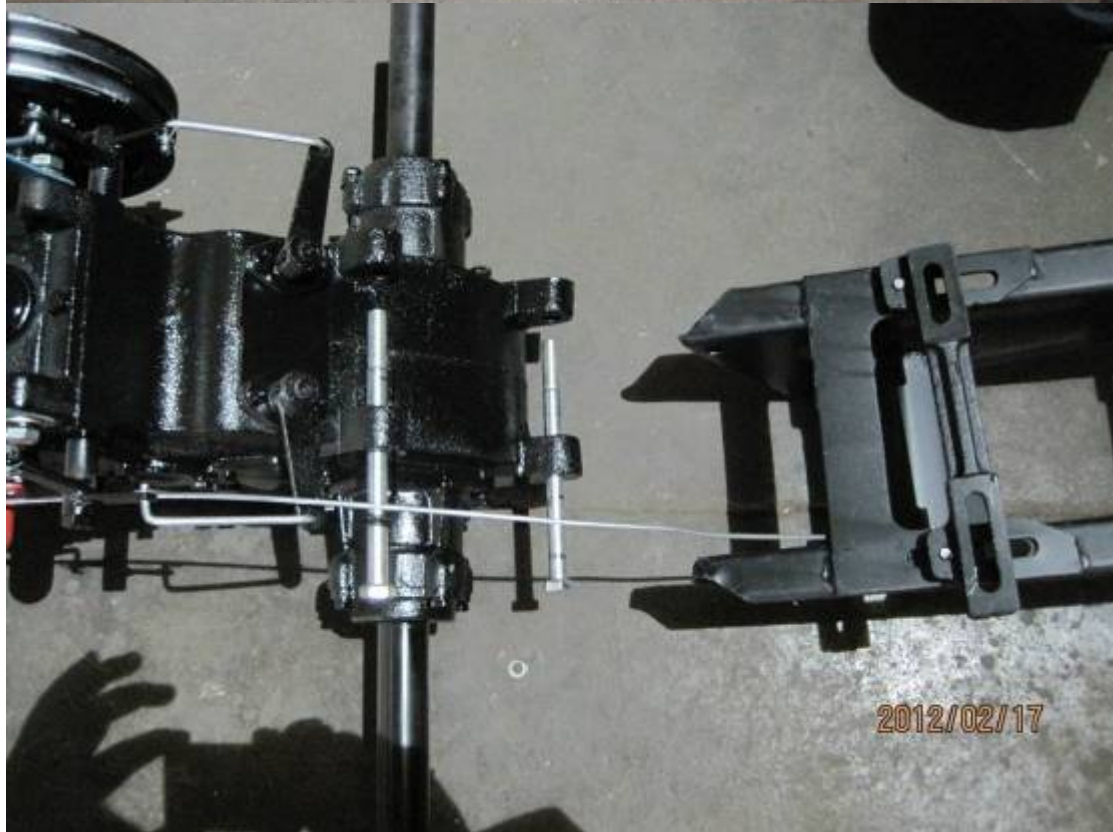
二、 Engine frame assembly:

Frame assembly



Frame assembly parts list

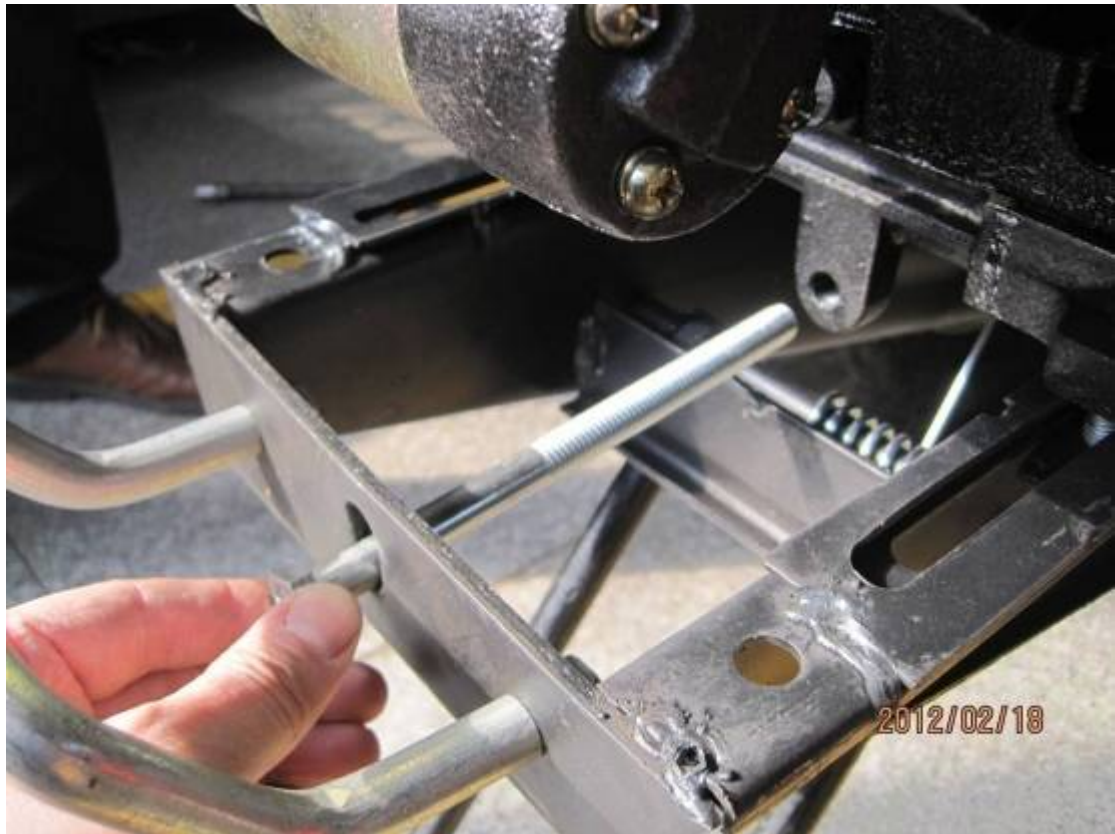
No.	Parts name	No.	Parts name
1	Frame seam	13	Frame solder part
2	Rear frame	14	Frame torque spring
3	Washer 14	15	Frame pin shaft
4	Nut M14	16	Pin 4*25
5	Front frame	17	Bolt M6*16
6	Nut M10	18	Frame pull pole
7	Washer 10	19	Bolt M14*185
8	Humper	20	Adjustment pin
9	Bolt M12*160	21	Washer 6-140HV
10	Washer 12-140HV	22	Pin 2*20
11	Washer		
12	Bolt M10*30		











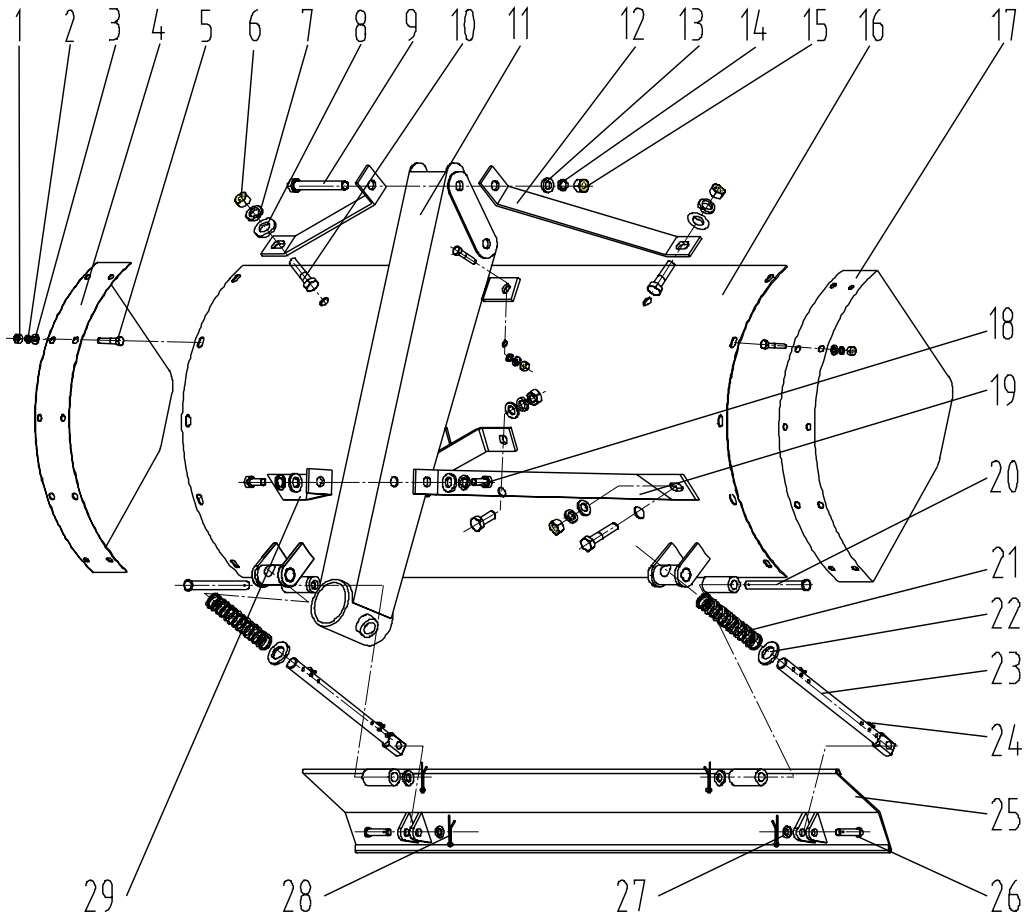




Sprocket wheel box assembly

No.	Parts name	No.	Parts name
1	Handle ball	26	Oil sealing
2	change speed lever	27	Bolt
3	Pin 6*50	28	Ball bearing
4	Pin	29	Bush
5	Dustproof cover	30	Driven sprocket wheel
6	Upper cover	31	Tension base gasket
7	Paper gasket	32	Tension base
8	Bolt	33	Washer
9	Washer	34	II shaft
10	End cover	35	Tension belt
11	Paper gasket	36	Pin
12	Ball bearing	37	Nut
13	Cultivator blade I	38	bolt
14	driving sprocket wheel	39	Lock bolt I
15	Circlip for shaft	40	Coulter frame
16	Sliding gear	41	Cultivator blade II
17	Sprocket wheel case	42	Bolt
18	I shaft	43	Coulter
19	Steel ball	44	Bolt
20	Retaining spring	45	Bolt
21	Chain	46	Stop plug
22	Bolt	47	Pull pole
23	Washer	48	Washer
24	Oil sealing base	49	Washer
25	Paper gasket	50	Nut

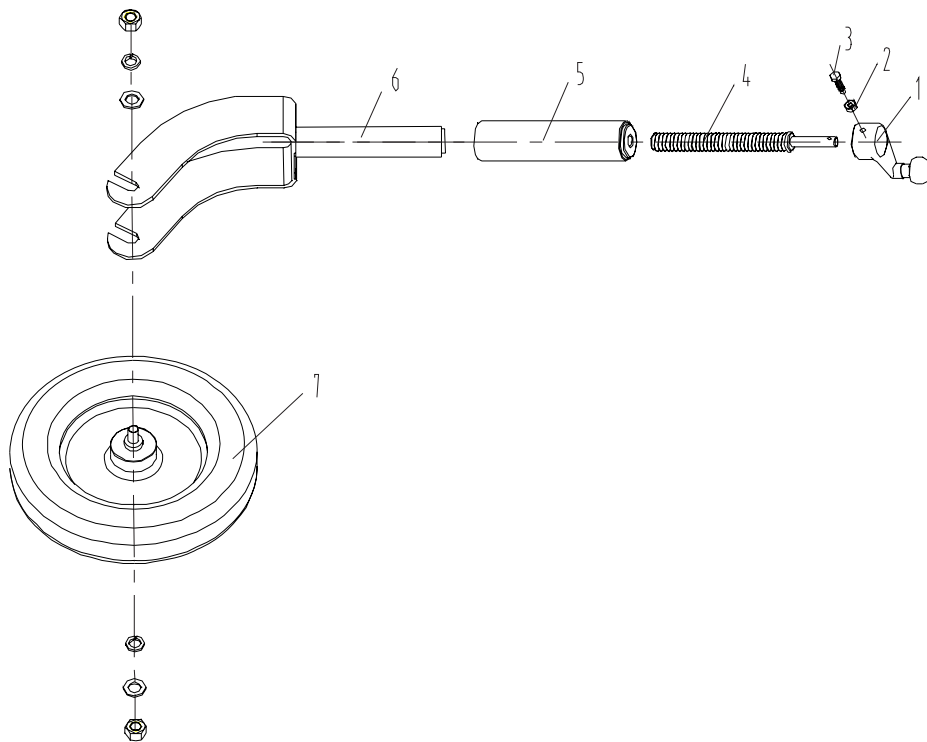
Cultivator shield assembly



Cultivator shield assembly

No.	Parts name	No.	Parts name
1	Nut	16	Top cover
2	Washer	17	Right side plate
3	Washer	18	Bolt
4	Left side plate	19	Right support plate
5	Bolt	20	Pin
6	Nut	21	Compression spring
7	Washer	22	Washer
8	Washer	23	Support pole
9	Bolt M12*95 2pcs	24	Spring pin
10	Bolt	25	Draw plate
11	Shield	26	Pin shaft
12	Front support plate	27	Washer
13	Washer	28	Cotter pin
14	Washer	29	Left support plate
15	Nut		

Rear wheel assembly

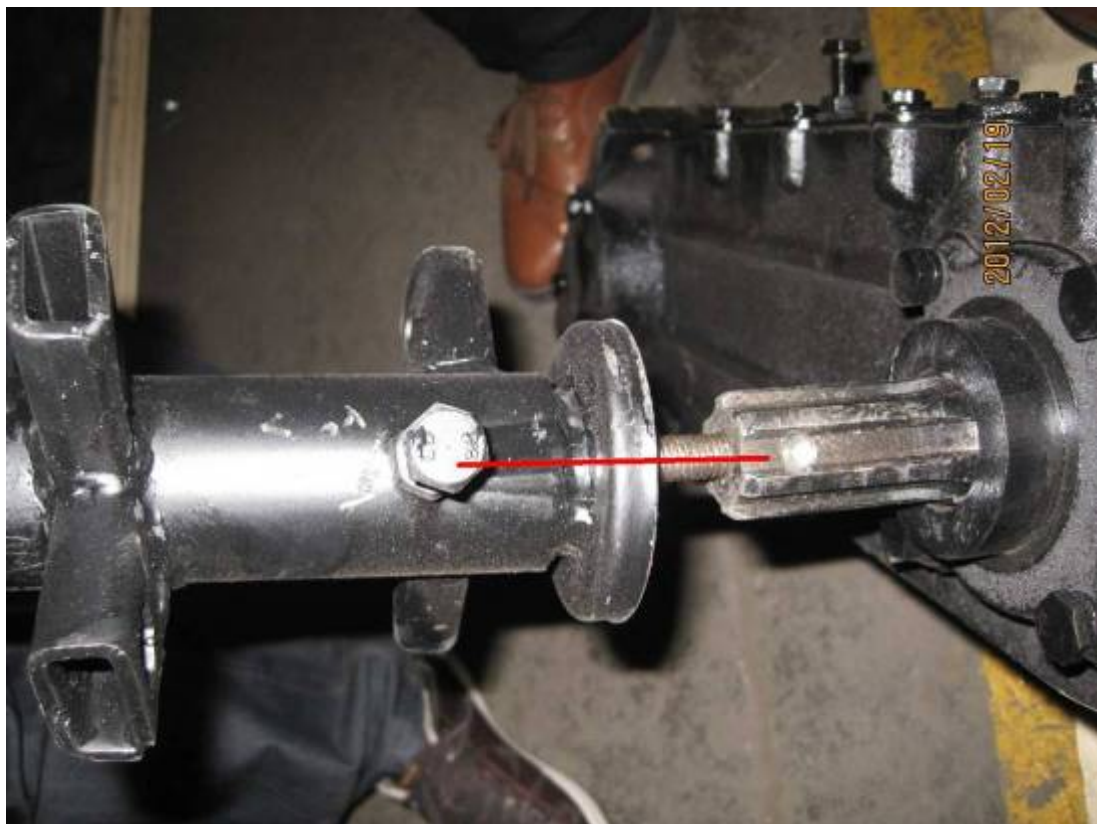


Rear wheel assembly

No.	Parts name
1	Screw rocking handle assembly
2	Nut
3	Locking screw II
4	Screw pole
5	Liftable tube
6	Connection fork
7	Wheel









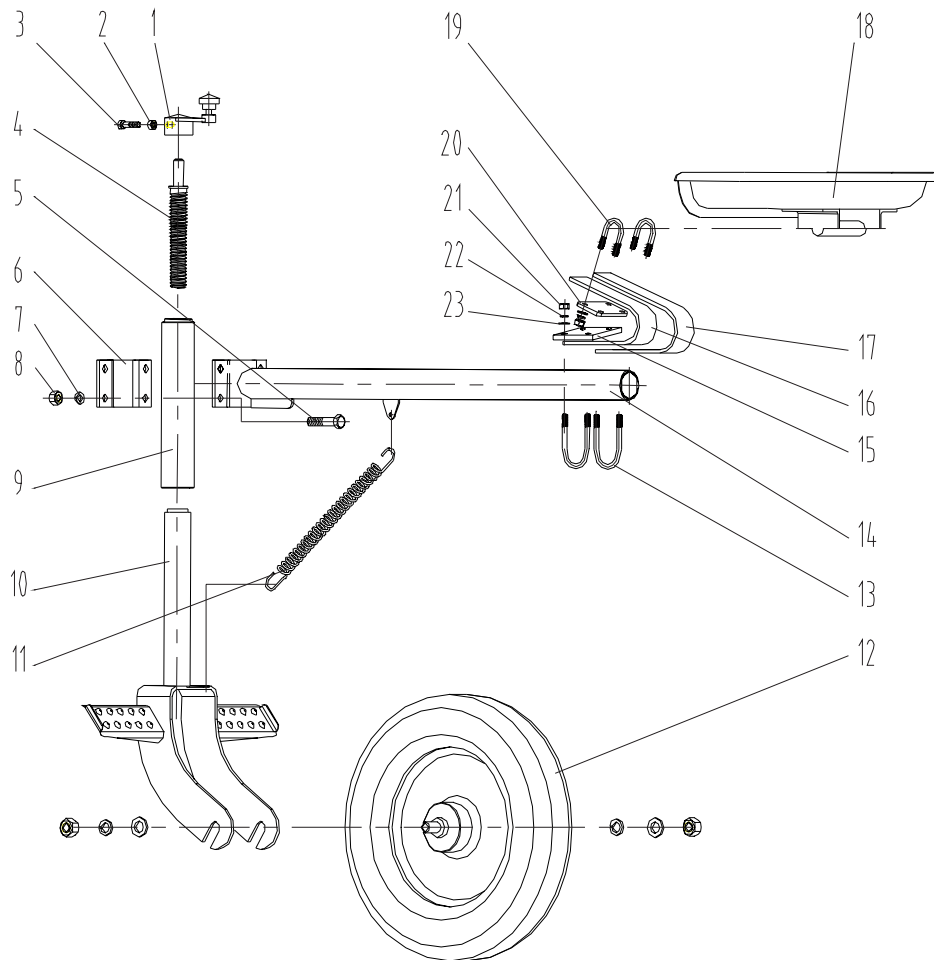






四、Riding support assembly

Riding support assembly



Riding support assembly			
No.	Parts name	No.	Parts name
1	Screw rocking handle assembly	13	U bolt II
2	Nut	14	Stay bar
3	Locking screw II	15	Retaining plate II
4	Screw pole	16	Short leaf spring
5	Bolt	17	Long leaf spring
6	Pressure plate	18	Base
7	Washer	19	U bolt I
8	Nut	20	Retaining plate I
9	Liftable tube	21	Nut
10	Connection fork	22	Washer
11	Pull spring	23	Washer
12	wheel (3.00-8)		







