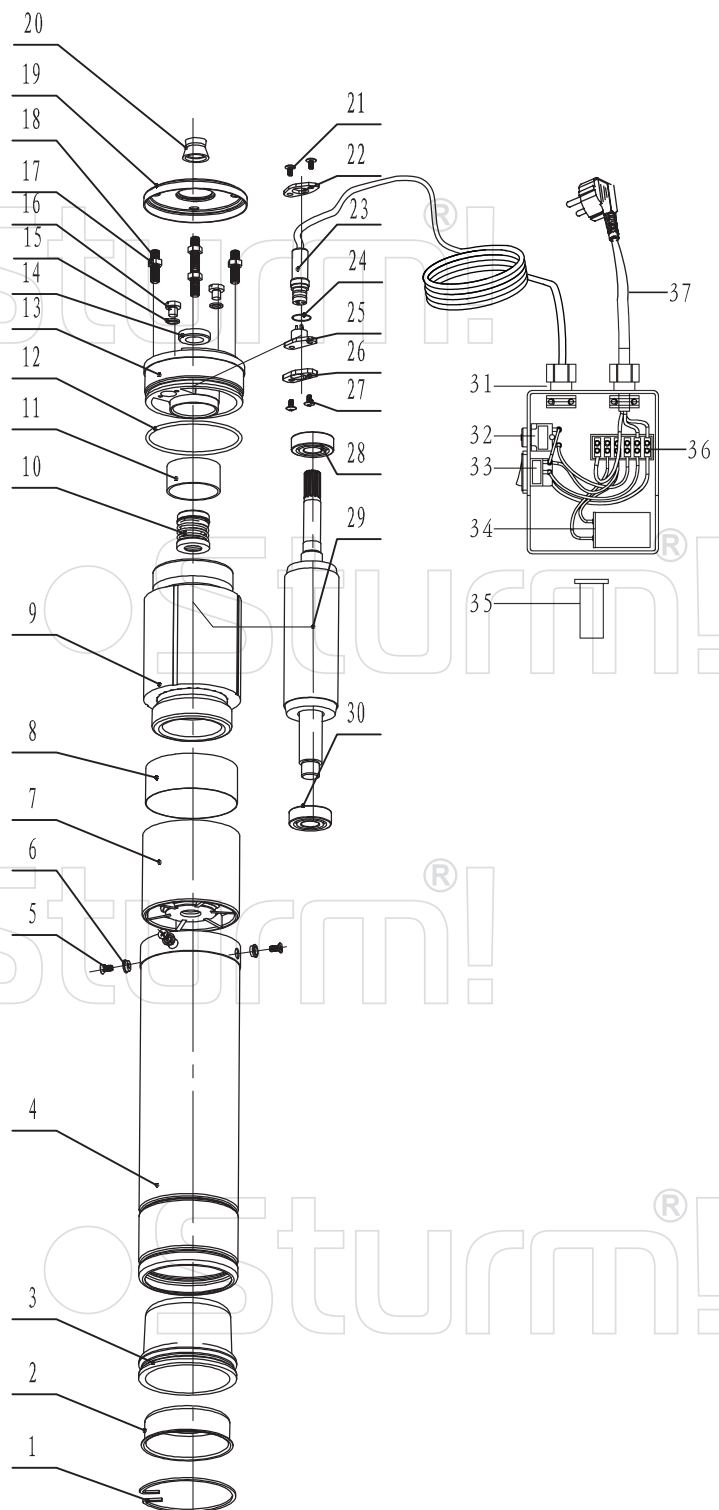


## WP9711DW

NO.	DESCRIPTION
1	VALVE SUPPORT
2	NO RETRUEN VALVE
3	O RING
4	UP SUPPORT
5	BUSH
6	RUBBER SHIELD
7	DIFFUSER
8	IMPELLER
9	DIFFUSER COVER
10	DOWN SUPPORT
11	RUBBER SHIELD
12	BUSH
13	IMPELLER WASHER
14	CIRCLIP
15	PUMP SHAFT
16	BUSH
17	COUPLING
18	OUTLET
19	PUMP PIPE
20	CABLE COVER
21	SCREW
22	PRESS PLATE
23	SUCTION SUPPORT
24	SCREW
25	STRAINER
26	MIDDLE SUPPORT

ST20120222



## MOTOR FOR WP9711DW

NO.	DESCRIPTION
1	CIRCLIP
2	END COVER
3	RUBBER CUP
4	MOTOR PIPE
5	SCREW
6	LOCKING RING
7	DOWN BEARING SEAT
8	INSULATION PAPER 1
9	STATOR ASSEMBLY
10	MECHANICAL SEAL
11	INSULATION PAPER 2
12	O RING
13	UP BEARING SEAT
14	RESTING SEAL RING
15	OIL SEAL SCREW WASHER
16	OIL SEAL SCREW
17	NUT
18	BOLT
19	UP COVER
20	SAND PROOF CUP
21	SCREW
22	UP PRESS PLATE
23	CABLE & CABLE SLEEVE
24	O RING
25	3 CORE SOCKET
26	DOWN PRESS PLATE
27	SCREW
28	BEARING 6203
29	ROTOR
30	BEARING 7203
31	CABLE NUT
32	OVER CURRENT PROTECTOR
33	SWITCH
34	CAPACITOR
35	CAPACITOR CLIP
36	TERMINAL BLOCK
37	POWER CORD AND PLUG

ST20120222