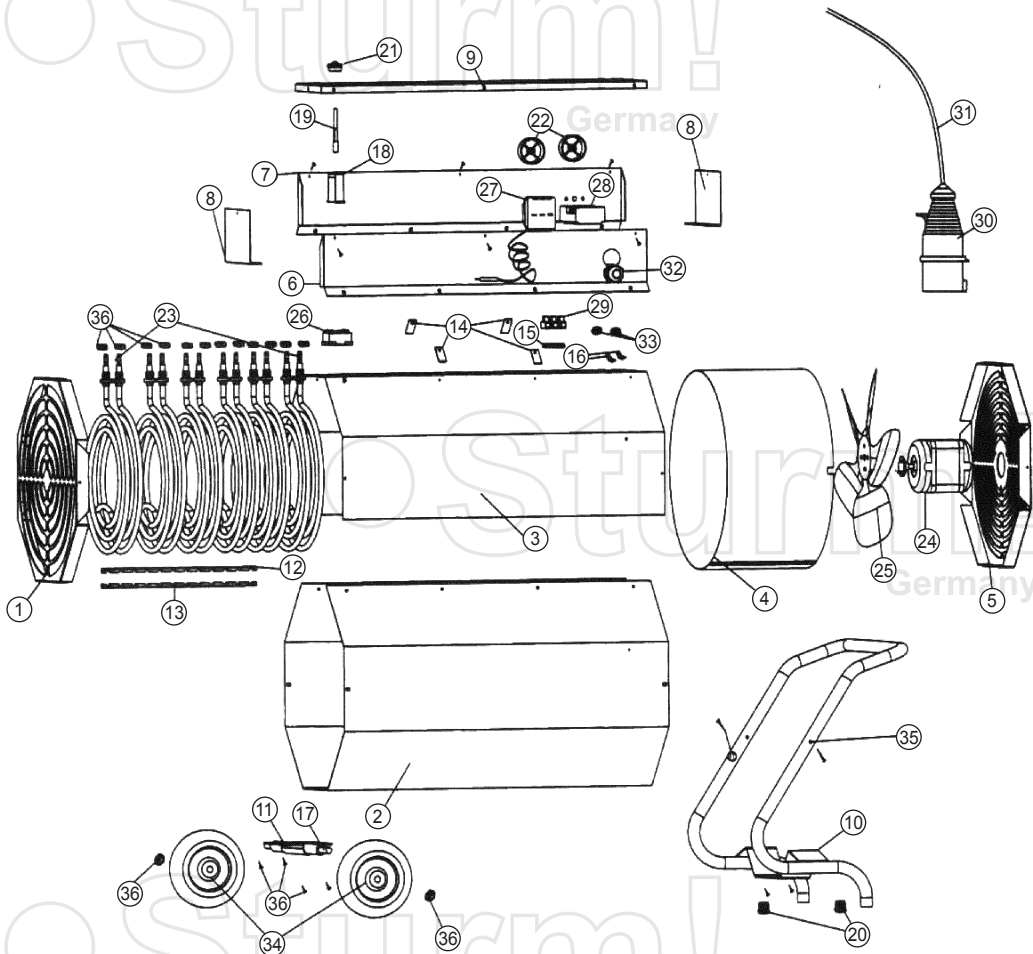


# FH15040



NO.	DESCRIPTION
1	FRONT GRID
2	HOUSING
3	FIXED BOARD
4	FLUE
5	BACK GRID
6	CABLE FIXED BOARD
7	CONTROL PANEL
8	CONTROL BOX BOARD
9	UPPER COVER
10	STEEL TUBE BRACKET
11	FOOT BOARD
12	UPPER FIX PIECE
13	BELOW FIX PIECE
14	LOCALIZER
15	BOTTOM PALLET
16	EARTH CONNECT
17	WHEEL AXES
18	THERMOSTAT CONTROL BRACKET
19	THERMOSTAT MANDRIL
20	STEEL TUBE COVER
21	BUTTON
22	KNOB
23	HEAT ELEMENT
24	MOTOR
25	FAN
26	MANUAL THERMOSTAT
27	THERMOSTAT
28	SWITCH
29	TERMINAL POLE
30	PLUG
31	CABLE
32	CABLE CLAMP
33	CORD PROTECTION LOOP
34	WHEEL
35	STEEL TUBE
36	SCREW

RU61125-1