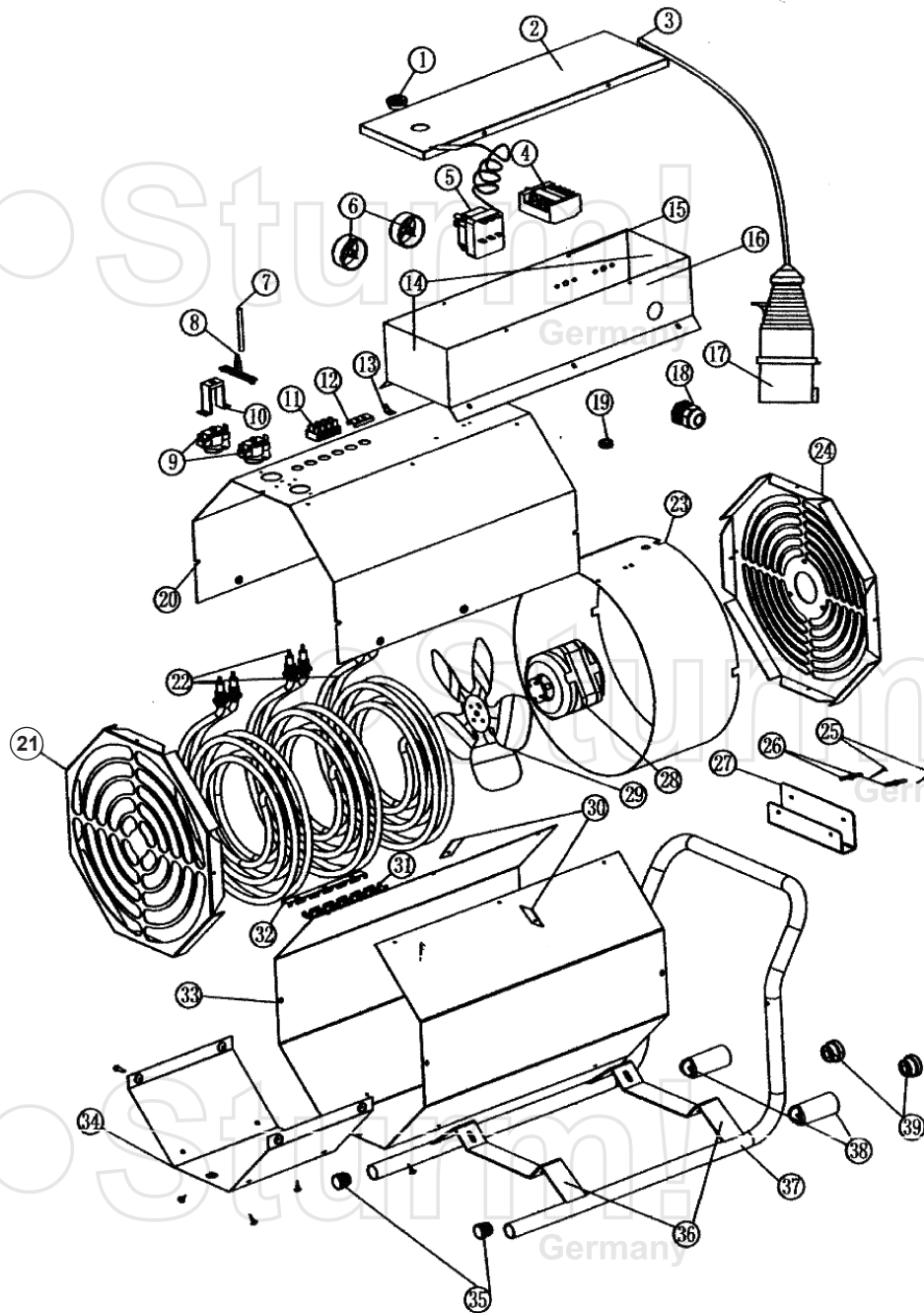


FH9004B



| NO. | DESCRIPTION |
|-----|---------------------------|
| 1 | BUTTON |
| 2 | UPPER COVER |
| 3 | CORD |
| 4 | SWITCH |
| 5 | THERMOSTATE |
| 6 | KNOB |
| 7 | MANUAL THERMOSTAT POLE |
| 8 | MANUAL THERMOSTAT MANDRIL |
| 9 | MANUAL THERMOSTAT |
| 10 | MANUAL THERMOSTAT BRACKET |
| 11 | TERMINAL POLE |
| 12 | TERMINAL POLE SPLINT |
| 13 | EARTH PIECE |
| 14 | CONTROL BOX BOARD |
| 15 | CONTROL PANEL |
| 16 | CORD FIXED BOARD |
| 17 | PLUG |
| 18 | CORD CLAMP |
| 19 | CORD PROTECTION LOOP |
| 20 | HEAT ELEMENT FIXED BOARD |
| 21 | FRONT GRID |
| 22 | HEAT ELEMENT |
| 23 | FLUE |
| 24 | BACK GRID |
| 25 | SCREW |
| 26 | EXPAND SCREW |
| 27 | POTHOOK |
| 28 | MOTOR |
| 29 | FAN |
| 30 | ORIENTATION PIECE |
| 31 | BELOW FIXED PIECE |
| 32 | UPPER FIXED PIECE |
| 33 | HOUSING |
| 34 | HEAT INSULATION BOARD |
| 35 | STEEL TUBE COVER |
| 36 | STEEL TUBE BRACKET |
| 37 | STEEL TUBE |
| 38 | POTHOOK FOOT |
| 39 | POTHOOK FOOD PAD |

RU61125-1