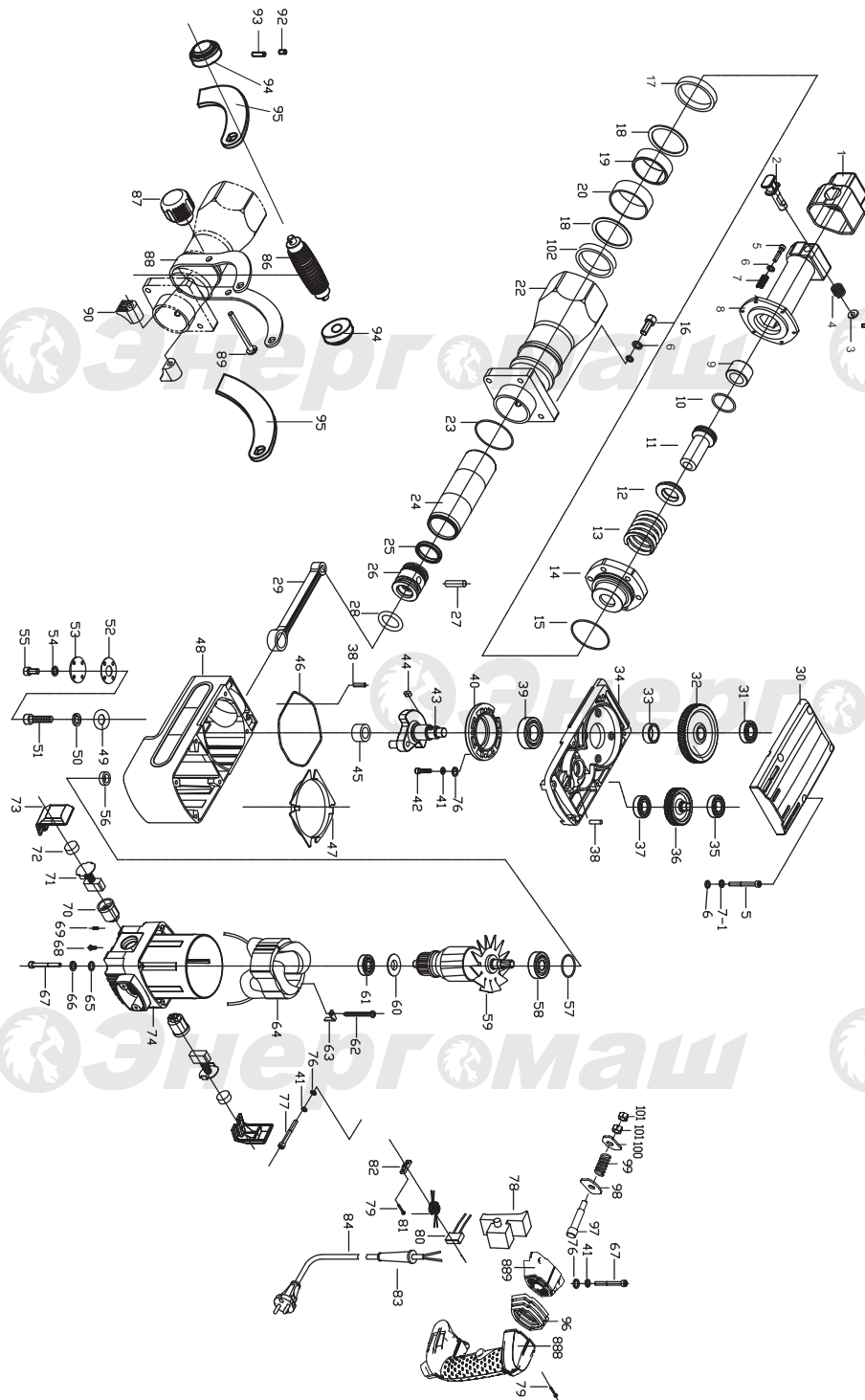


PE-25190П



NO.	DESCRIPTION	NO.	DESCRIPTION
1	DUST CAP	53	OIL COVER
2	CLAMP STOPPER PIN	54	SPRING WASHER Ø5
3	WASHER	55	HEX SOCKET HEAD CAP SCREW M5*12
4	SPRING	56	ANTI-OIL RING
5	HEX SOCKET HEAD CAP SCREW M8*65	57	O-RING
6	WASHER Ø8	58	BEARING 6202
7	SPRING	59	ROTOR
8	GRIP SLIPPER	60	INSULATION RING
9	GUIDE RING	61	BEARING 6201
10	O-RING	62	TAPPING SCREW ST4.8*60
11	SECOND RAM	63	STATOR CLAMP PLATE
12	SPRING SOCKET	64	STATOR
13	SPRING	65	FLAT WASHER Ø6
14	FIXATION BUSH	66	SPRING WASHER Ø6
15	O-RING	67	HEX SOCKET HEAD CAP SCREW M6*55
16	HEX SOCKET HEAD CAP SCREW M8*40	68	TAPPING SCREW ST4.2*12
17	SYNTHETIC RUBBER RING	69	SET SCREW M5*10
18	GASKET	70	BRUSH HOLDER
19	SPACING RING	71	BRUSH
20	RUBBER BUSH	72	BRUSH COVER
22	CYLINDER CASE	73	DECORATION COVER
23	O-RING	74	MOTOR CASING
24	BLOCK STAMP	76	FLAT WASHER Ø6
25	SEAL RING	77	HEX SOCKET HEAD CAP SCREW M6*35
26	PISTON	78	SWITCH
27	PISTON PIN	79	TAPPING SCREW ST4.2*16
28	O-RING	80	CAPACITANCE
29	CONNECTING ROD	81	INDUCTANCE
30	GEAR CASE COVER	82	CORD CLAMP
31	BEARING 6302	83	CORD SHEATH
32	BULL GEAR	84	POWER CORD
33	SPACING TUBE	86	AUXILIARY HANDHOLD
34	REDUCTION BOX	87	KNOB
35	BEARING 6201	88	HOLDING RACK
36	IDLER GEAR	89	GRIP BOLT
37	BEARING 6001	90	HOLDING BLOCK
38	PIN B6*12	91	PIN 4X18
39	BEARING 6205	92	ANTI-SKID PIN
40	BEARING CAP	93	PIN B3*22
41	SPRING WASHER Ø6	94	RUBBER-CAP
42	HEX SOCKET HEAD CAP SCREW M6*25	95	RUBBER SLEEVE
43	CRANK SHAFT	96	ANTI-VIBRATION SLEEVE
44	FLAT PIN 6*12	97	ANTI-VIBRATION BOLT
45	NEEDLE BEARING NK1716	98	ANTI-VIBRATION WASHER(2)
46	SEAL RING	99	ANTI-VIBRATION SPRING
47	AIR BAFFLE RING	100	ANTI-VIBRATION WASHER (1)
48	CRANK SHAFT CASE	101	NUT
49	WASHER	102	CYLINDER COVER
50	SPRING WASHER Ø8	888	HANDLE ASSEMBLE
51	HEX SOCKET HEAD CAP SCREW M8*25	889	HANDLE COVER ASSEMBLE
52	OIL HOLE PAPER GASKET		