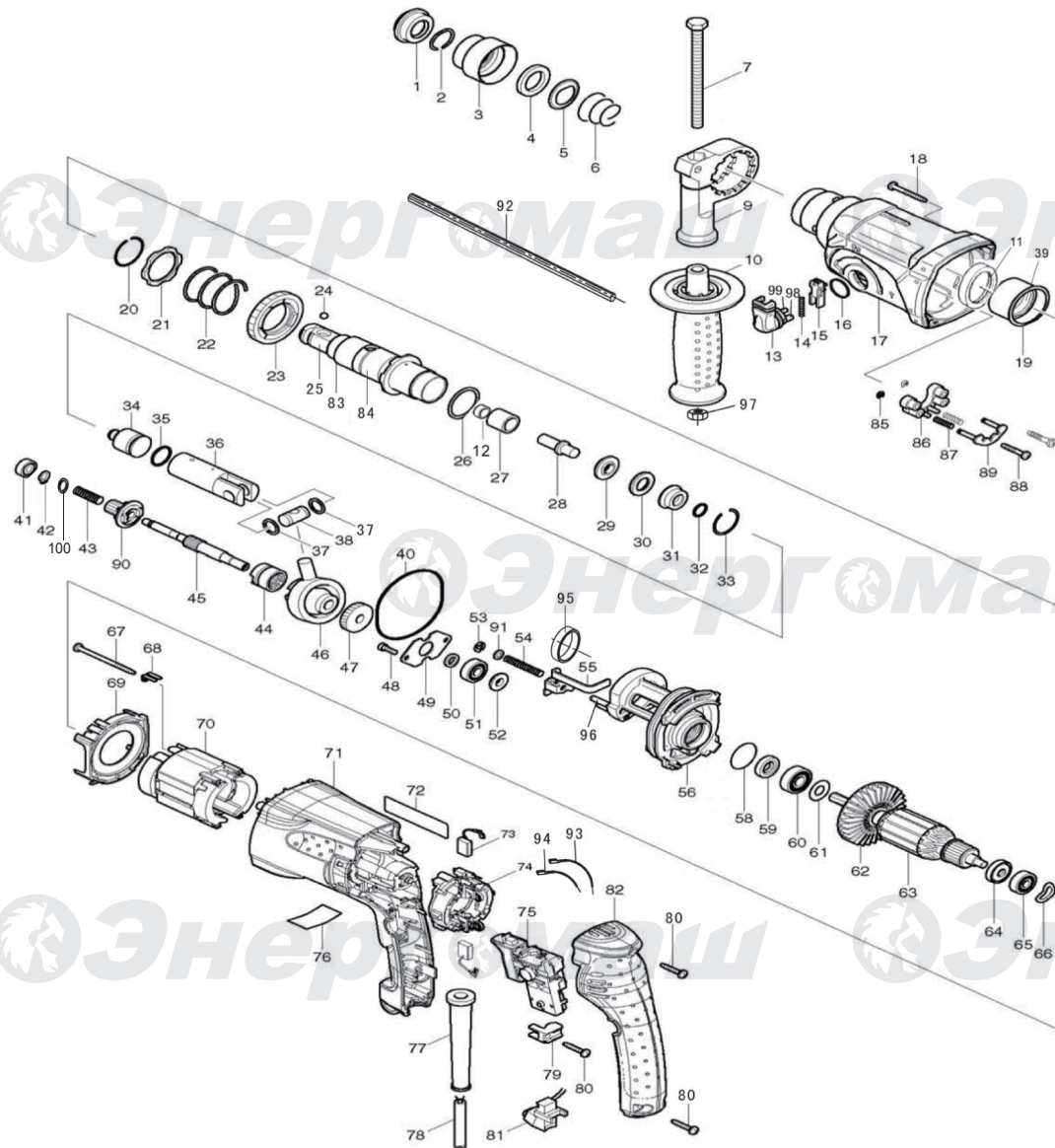


ПЕ-2510ПМ



NO.	DESCRIPTION	NO.	DESCRIPTION
1	DUSTPROOF CAP	51	608 BEARING
2	CIRCLIP9×2	52	608 BEARING BUSHING
3	CHUCK COVER	53	CIRCLIP
4	WASHER	54	SPRING
5	WASHER	55	CLUTCH ELEMENT
6	SPRING	56	HOLDER
7	HEXAGEN BOLT	58	O RING
9	CLAMP	59	OIL SEAL 10×26×5
10	AUXILIARY HANDLE	60	6000 BEARING
11	MECHANICAL SEAL	61	WASHER
12	DOUBLE SEALING RING	62	FAN
13	CHANGE KNOB	63	ARMATURE
14	SPRING	64	WASHER
15	PLASTIC ELEMENT	65	607 BEARING
16	O RING17.3×2	66	BEARING SLEEVE
17	GEAR BOX	67	SCREW ST4.2×60
18	SCREW ST4.2×35	68	FASTENER
19	BEARING BUSH	69	WIND GUARD
20	CIRCLIP29.5×1.5	70	STATOR
21	WASHER	71	HOUSING
22	SPRING 32×3.5	72	LABEL
23	51 TEETH BIG GEAR	73	CARBON BRUSH
24	STEEL BALL C7.14	74	BRUSH HOLDER
25	SMALL ROTARY SLEEVE	75	SWITCH
26	WASHER	76	LABEL
27	BUSHING	77	CABEL SLEEVE
28	STRIKER	78	CABLE&PLUG
29	STRIKER BUSHING	79	CABLE FASTENER
30	RING	80	SCREW ST4.2×22
31	HOLDER	81	LED WORK LIGHT
32	O RING	82	REAR COVER
33	CIRCLIP27.5×2	83	CIRCLIP
34	PISTON	84	ROTATING SLEEVE
35	O RING 16.3×3.1	85	CIRCLIP
36	CYLINDER	86	FASTENER
37	WASHER	87	SPRING
38	PIN	88	SCREW ST4.2×25
39	BEARING HK3012	89	LOCATING PIECE
40	SEAL RING	90	CLUTCH GEAR
41	606 BEARING	91	SPRING WASHER 5.6×9.8×0.8
42	CIRCLIP 6.7×1	92	GAUGE
43	SPRING	93	WIRE
44	CLUTCH	94	WIRE
45	GEAR SHAFT	95	OIL SEAL 25×35×7
46	SWASH BEARING	96	PIN
47	26 TEETH GEAR	97	NUT
48	SCREW	98	PIN
49	HOLDER OF BEARING 608	99	PIN
50	SEVERANCE RING 8.4×13×2.5	100	WASHER