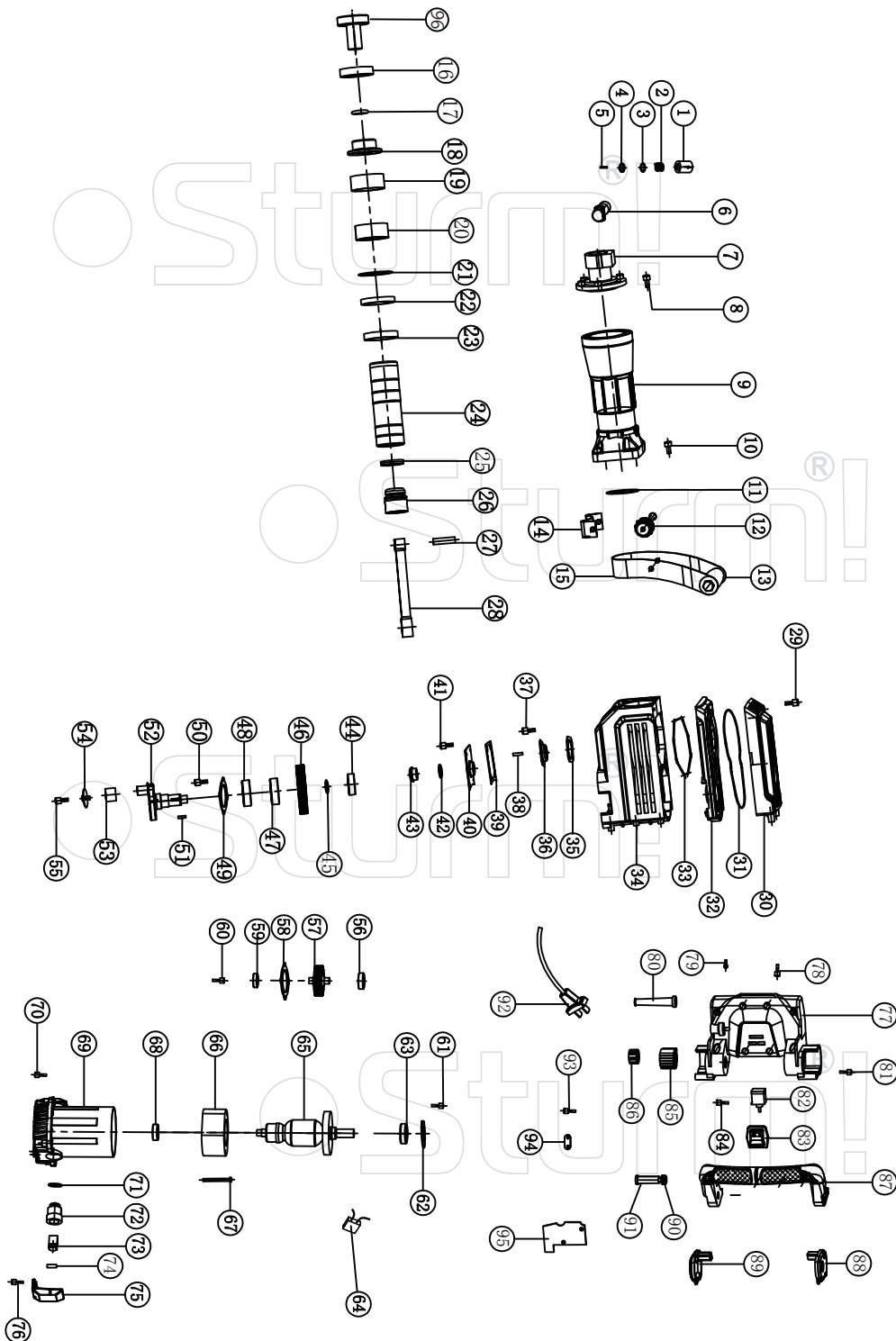


RH2521PM



| NO. | DESCRIPTION | NO. | DESCRIPTION |
|-----|---|-----|------------------------------|
| 1 | SLEEVE-NOSE PIECE | 49 | BEARING RETAINING PLATE |
| 2 | SPRING-NOSE PIECE | 50 | INNER HEX SCREW M5*16 |
| 3 | PLASTIC WASHER | 51 | WOODRUFFE KEY |
| 4 | IRON WASHER | 52 | ECCENTRIC SHAFT |
| 5 | PIN | 53 | NK18/20B NEEDLE BEARING |
| 6 | LATCH BAR | 54 | JOINT LEVER PRESSURE COVER |
| 7 | NOISE PIECE | 55 | INNER HEX SCREW M8*25 |
| 8 | INNER HEX SCREW M10*30 | 56 | 6201 BEARING |
| 9 | CYLINDER SLEEVE | 57 | INTERMEDIATE GEAR |
| 10 | INNER HEX SCREW M8*40 | 58 | BEARING RETAINING PALTE |
| 11 | O SHAPED RING | 59 | 6001 BEARING |
| 12 | ADJUSTING SCREW | 60 | SCREW M6*16 |
| 13 | AULIXIARY HANDLE | 61 | INNER HEX SCREW M6*18 |
| 14 | SUPPORT BRACKET | 62 | 6203 BEARING RETAINING PLATE |
| 15 | HOOP | 63 | 6203 BEARING |
| 16 | DAMPING RING | 64 | CAPACITOR |
| 17 | O SHAPED RING 23.5*5.2 | 65 | ARMATURE |
| 18 | LOCATING SLEEVE | 66 | STATOR |
| 19 | SLEEVE-SPLIT RING | 67 | SCREW ST5*60 |
| 20 | SPLIT RING | 68 | 6201 BEARING |
| 21 | IRON WASHER | 69 | STATOR SEAT |
| 22 | DAMPING RING | 70 | INNER HEX SCREW M8*25 |
| 23 | BIG WASHER $\Phi 68 \times \Phi 58 \times 12$ | 71 | EXTENSION SPRING |
| 24 | CYLINDER | 72 | BRUSH HOLDER |
| 25 | SEAL RING | 73 | CARBON BRUSH |
| 26 | ALUMINIUM PISTON | 74 | BRUSH HOLDER CAP |
| 27 | PISTON PIN | 75 | BRUSH HOLDER PRESSPLATE |
| 28 | JOINT LEVER | 76 | SCREW ST4*18 |
| 29 | INNER HEX SCREW M6*45 | 77 | HANDLE SEAT |
| 30 | GEARCASE COVER | 78 | INNER HEX SCREW |
| 31 | "8" SHAPED RING | 79 | INNER HEX SCREW |
| 32 | BAFFLE | 80 | CORD SLEEVE |
| 33 | OIL BAFFLE RING | 81 | SCREW ST4*16 |
| 34 | GEARCASE | 82 | SWITCH |
| 35 | OIL BAFFLE WASHER | 83 | SLIDE SWITCH BUTTON |
| 36 | OIL CUP | 84 | SCREW ST4*14 |
| 37 | INNER HEX SCREW M4*14 | 85 | DAMPING SLEEVE |
| 38 | OIL CORD | 86 | STEE SLEEVE |
| 39 | SQUARE PAPER WASHER | 87 | DAMPING HANDLE |
| 40 | IRON PLATE | 88 | SIDE COVER-RIGHT |
| 41 | INNER HEX SCREW M5*16 | 89 | SIDE COVER-LEFT |
| 42 | O SHAPED RING | 90 | NUT M10 |
| 43 | OIL HOLE | 91 | SCREW |
| 44 | BEARING 6302 | 92 | POWER CORD |
| 45 | EXTERNAL RETAINING RING $\Phi 22$ | 93 | SCREW ST4*16 |
| 46 | BIG GEAR | 94 | CORD CLAMP |
| 47 | STEEL SLEEVE | 95 | SWITCH PRESSURE COVER |
| 48 | 6205 BEARING | 96 | STRIKER |