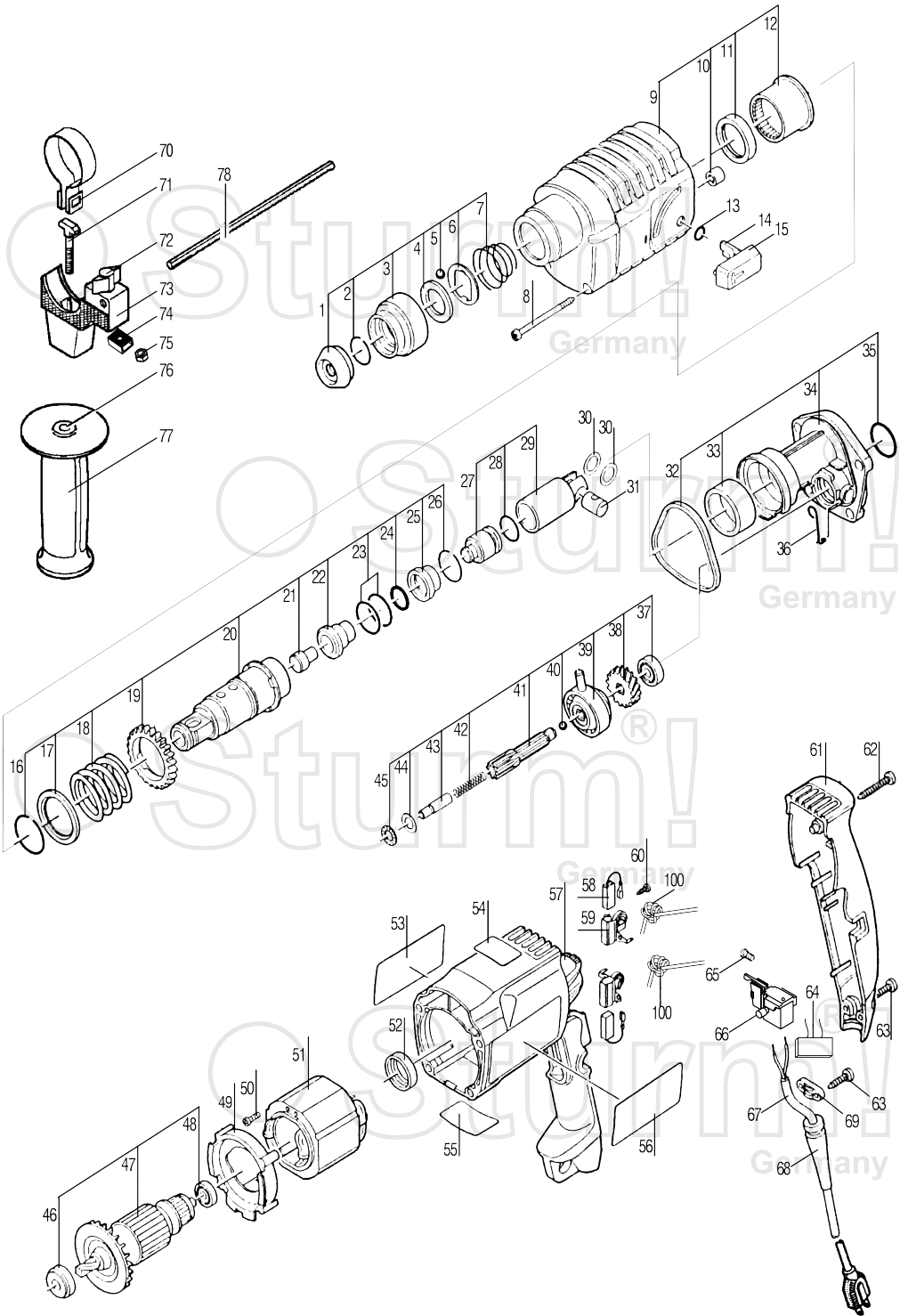


RH2551



NO.	DESCRIPTION	NO.	DESCRIPTION
1	DUSTPROOF CAP	41	CENTER SHAFT
2	CIRCLIP	42	SPRING OF CENTER SHAFT
3	CLIP RING	43	PIN OF CENTER SHAFT
4	CLIP WASHER	44	FLAT WASHER
5	STEEL BALL	45	NEEDLE BEARING
6	CLIP WASHER	46	BEARING
7	SPRING	47	ROTOR
8	TAPPING SCREW	48	BEARING
9	FRONT HOUSING	49	WIND FENDER
10	NEEDLE BEARING	50	TAPPING SCREW
11	OIL SEAL	51	STATOR
12	SHAFT SLEEVE	52	BEARING BUSH
13	O RING	53	LABEL
14	PIN OF KNOB	54	LABEL
15	KNOB	55	NAMEPLATE
16	CIRCLIP	56	LABEL
17	WASHER	57	HOUSING
18	SPRING	58	CARBON BRUSH
19	GEAR	59	BRUSH BOX
20	ROTARY SLEEVE	60	TAPPING SCREW
21	STRIKER	61	REAR COVER
22	COVER OF STRIKER	62	TAPPING SCREW
23	O RING	63	TAPPING SCREW
24	O RING	64	CAPACTOR
25	FIXED SLEEVE	65	TAPPING SCREW
26	STEEL WIRE CIRCLIP	66	SWITCH
27	PISTON	67	POWER CORD
28	O RING	68	CORD SLEEVE
29	CYLINDER	69	CORD CLAMP
30	WASHER	70	RING OF HANDLE
31	PIN OF CYLINDER	71	BOLT
32	AIRPROOF RING	72	SCREW KNOB
33	BUSH	73	BASE OF HANDLE
34	CENTER SHAFT FIXED HOLDER	74	LOCKER FOR STAFF GUAGE
35	O RING	75	M6 NUT
36	CIRCLIP	76	M8 NUT
37	BEARING	77	AUXILIARY HANDLE
38	PINION	78	STAFF GUAGE
39	BALANCE BEARING	100	INDUCTOR
40	STEEL BALL		