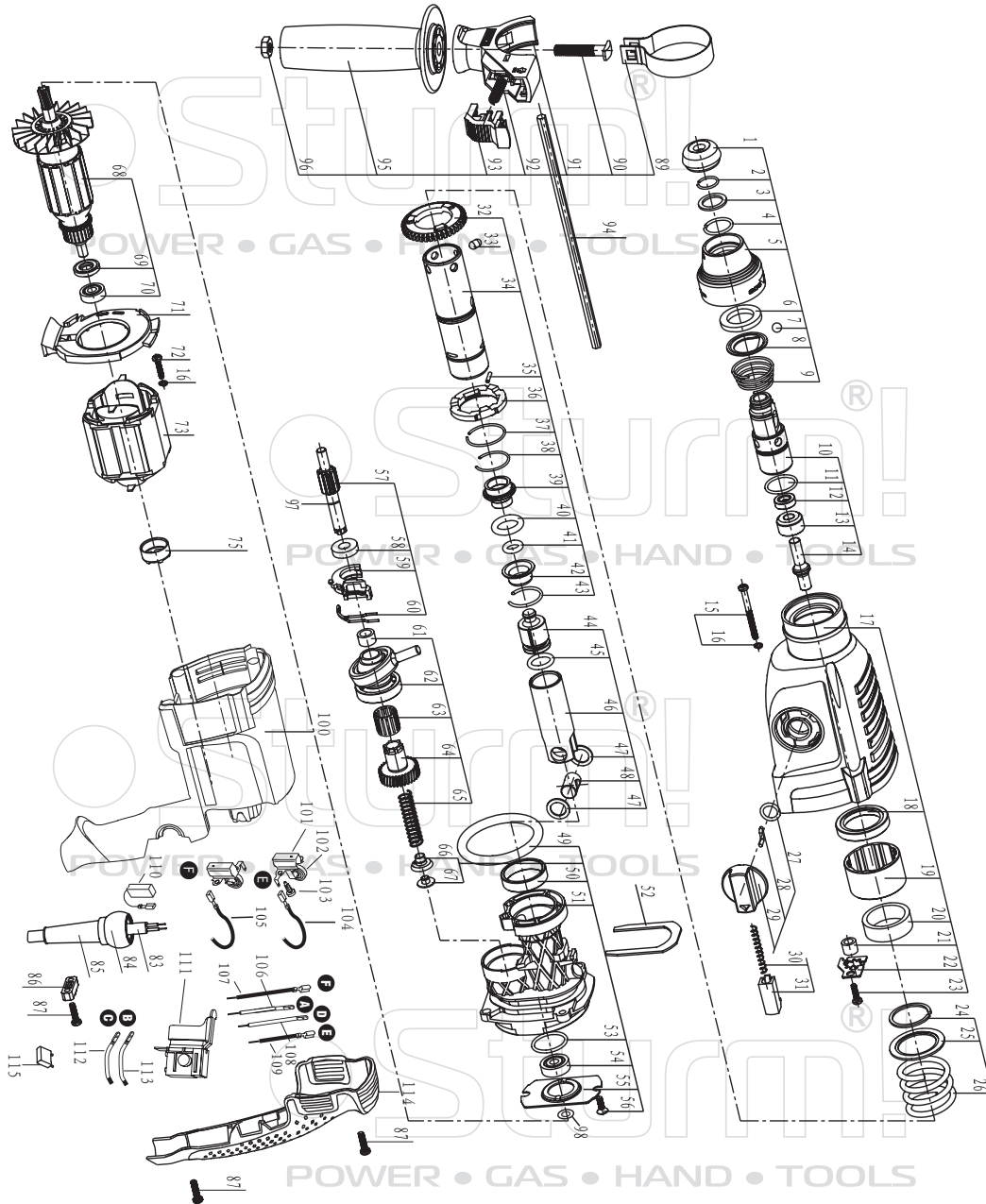


RH25921P



NO.	DESCRIPTION	NO.	DESCRIPTION
1	DUST CAP	54	BEARING 609Z
2	SNAP RING	55	BEARING PRESS PLATE
3	WASHER	56	SCREW
4	SNAP RING	57	GEAR SHAFT
5	LOCKING SLEEVE	58	BEARING 699
6	THICK WASHER	59	MODEL SELECTOR FORK
7	STEEL BALL	60	FORK SPRING
8	WASHER	61	NEEDLE ROLLER BEARING HK0908
9	SPRING	62	ROCKER BEARING
10	DRILL BIT COVER	63	NEEDLE ROLLER BEARING K15
11	O-RING	64	GEAR
12	OIL SEAL	65	SPRING
13	THRUST RING	66	SPRING HOLDER
14	STRIKER SHAFT	67	POSITION WASHER
15	SCREW	68	ROTOR
16	SPRING WASHER	69	INSULATION WASHER
17	FRONT HOUSING	70	BEARING 607Z
18	OIL SEA	71	WIND GUIDE
19	BUSHING	72	SCREW
20	NEEDLE ROLLER BEARING HK3012	73	STATOR
21	NEEDLE ROLLER BEARING HK0709	75	BEARING BUSH
22	NINE TEETH WASHER	83	CORD & PLUG
23	SCREW	84	CORD SLEEVE COVER
24	FLAT SNAP RING	85	CORD SLEEVE
25	WASHER	86	CORD CLAMP
26	SPRING	87	SCREW
27	O-RING	89	CLAMPING BAND
28	MODEL SELECTOR POLE	90	T SCREW
29	MODEL SELECTOR	91	SUPPORT CLAMP
30	SPRING	92	LOCKING BUTTON SPRING
31	LOCKING BUTTON	93	LOCKING BUTTON
32	BIG GEARING	94	DEPTH GAUGE
33	POSITION PIN	95	AUXILIARY HANDLE
34	CONNECT PIPE	96	NUT
35	PIN	97	SNAP RING
36	CLUTCH DISK	98	WASHER
37	SNAP RING	100	HOUSING
38	SNAP RING	101	CARBON BRUSH HOLDER
39	GUIDE BUSH	102	CARBON BRUSH HOLDER SPRING
40	O-RING	103	SCREW
41	O-RING	104	UPPER CARBON BRUSH INTERNAL CABLE
42	HOLDING JACKET	105	DOWN CARBON BRUSH INTERNAL CABLE
43	SNAP RING	106	INTERNAL CABLE A
44	PISTON	107	INTERNAL CABLE F
45	PISTON O-RING	108	INTERNAL CABLE D
46	CYLINDER	109	INTERNAL CABLE E
47	CYLINDER PIN WASHER	110	CARBON BRUSH
48	CYLINDER PIN	111	SWITCH
49	O-RING	112	INTERNAL CABLE
50	HOLDER BUSHING	113	INTERNAL CABLE
51	HOLDER	114	BACK COVER
52	PRESS FORK	115	CAPACITOR
53	O-RING		