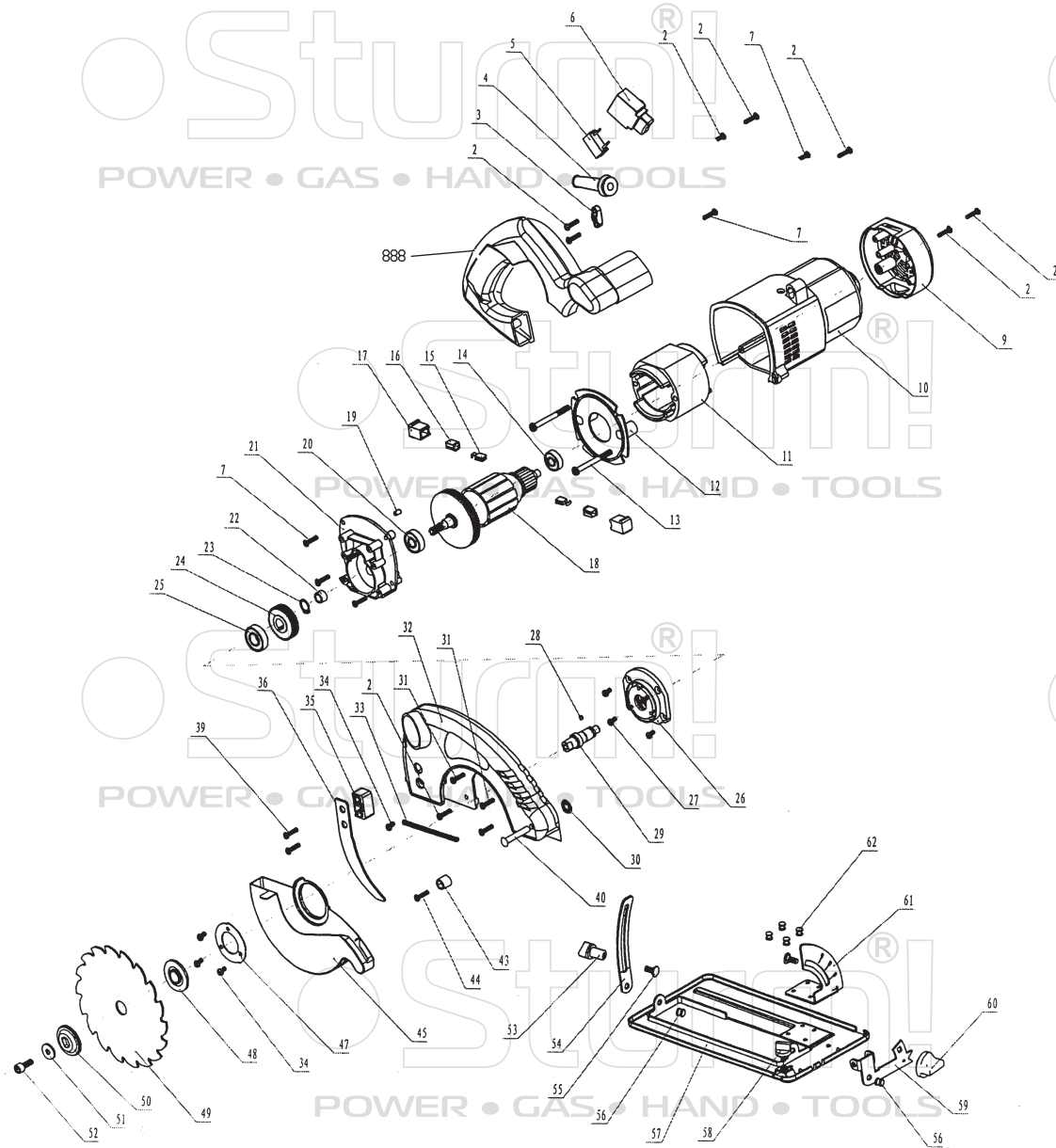


CS50140



NO.	DESCRIPTION	NO.	DESCRIPTION
2	TAPPING SCREW ST4X16	32	FIXED GUARD
3	CORD CLAMP	33	PULLING SPRING
4	CORD SLEEVE	34	SCREW M4X8
5	CAPACITOR	35	RIVING KNIFE BASE
6	SWITCH	36	RIVING KNIFE
7	TAPPING SCREW ST4X20	39	SCREW M5X25
9	REAR COVER	40	CONNECTING PIN
10	HOUSING	43	RUBBER WASHER
11	STATOR	44	SCREW M5X14
12	WIND GUARD	45	MOVING GUARD
13	TAPPING SCREW ST4X55	47	PRESS BOARD FOR GUARD
14	BEARING 608Z	48	INNER FLANGE
15	CARBON BRUSH	49	BLADE
16	BRUSH COPPER SLEEVE	50	OUTER FLANGE
17	BRUSH HOLDER	51	PLAIN WASHER
18	ROTOR	52	ALLEN SCREW M5X15
19	RUBBER PIN	53	KNOB FOR DEPTH ADJUSTMENT
20	BEARING 629Z	54	DEPTH STAND
21	CENTER SUPPORT	55	CROSS SCREW
22	OILED BEARING	56	RIVET Ø6
23	CIRCLIP Ø12	57	BASE PLATE
24	GEAR	58	KNOB FOR FIXING RAIL GUIDE
25	BEARING 6001Z	59	ANGLE ST AND(I)
26	BEARING BASE	60	KNOB FOR ANGLE ADJUSTMENT
27	TAPPING SCREW ST4X12	61	ANGLE ST AND(II)
28	KEY Ø3X4	62	RIVET Ø4
29	SPINDLE	888	HANDLE ASSEMBLE
30	WASHER		
31	SCREW M4X12		

ST20101125-01