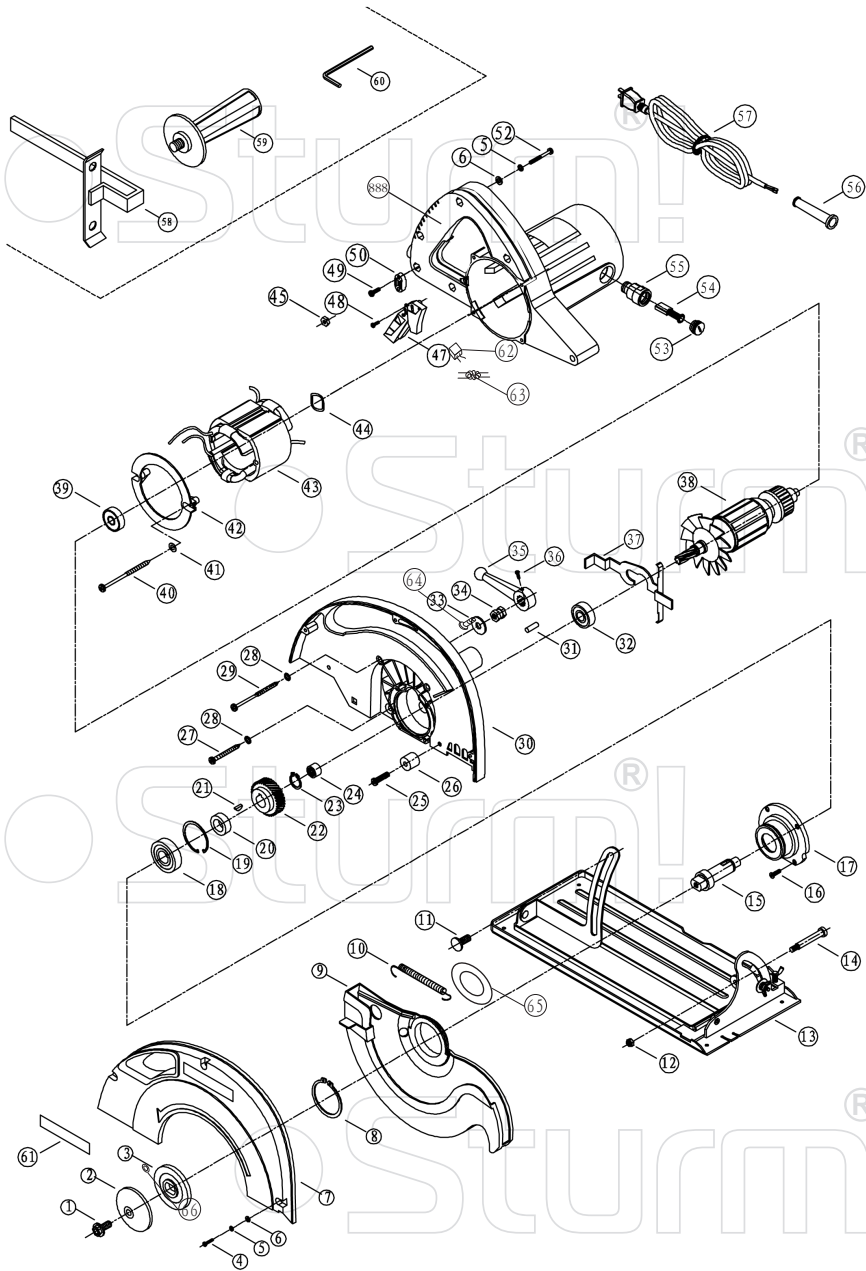


CS50236P



NO.	DESCRIPTION	NO.	DESCRIPTION
1	HEX SCREW	34	GROOVE NUT
2	OUTER FLANGE	35	DEPTH ADJUSTING LEVER
3	INNER FLANGE	36	P.H. SCREW
4	PH SCREW	37	SHAFT LOCK LEVER
5	SPRING WASHER	38	ARMATURE
6	FLATNESS WASHER	39	BALL BEARING 6200-2Z
7	HEAD COVER	40	TAPPING SCREW
8	SHAFT RETAINING RING	41	WASHER
9	WHEEL GUARD	42	BAFFLE PLATE
10	HOOK SPRING	43	STATOR
11	CARRIAGE BOLT	44	WAVE WASHER
12	LOCKNUT	45	NUT
13	BASE	47	SWITCH
14	P.H. SCREW	48	TAPPING SCREW
15	SPINDLE	49	TAPPING SCREW
16	CROSS DEEP HEAD SCREW	50	STRAIN RELIEF
17	FRONT COVER	52	P.H. SCREW
18	BALL BEARING 6203-2Z	53	BRUSH HOLDER CAP
19	WASHER FOR THE HOLE	54	CARBON BRUSH
20	STEEL SLEEVE	55	BRUSH HOLDER
21	HALF CIRCLE KEY	56	CORD GUARD
22	BIG GEAR	57	CORD
23	SHAFT RETAINING RING	58	RULER GUIDE
24	NEEDLE BEARING BK1210	59	SIDE GRIP
25	P.H.SCREW	60	HEX WRENCH M8
26	RUBBER BLOCK	61	LABEL
27	TAPPING SCREW	62	CAPACITANCE
28	WASHER	63	INDUCTANCE
29	TAPPING SCREW	64	BOLT M8x16
30	HEAD CASE	65	FLATNESS WASHER
31	ORIENTATION PIN(RUBBER MATERIAL)	66	FLATNESS WASHER
32	BEARING BEARING 6201-2RS	888	HOUSING ASSEMBLE
33	FLATNESS WASHER		

ST20110511