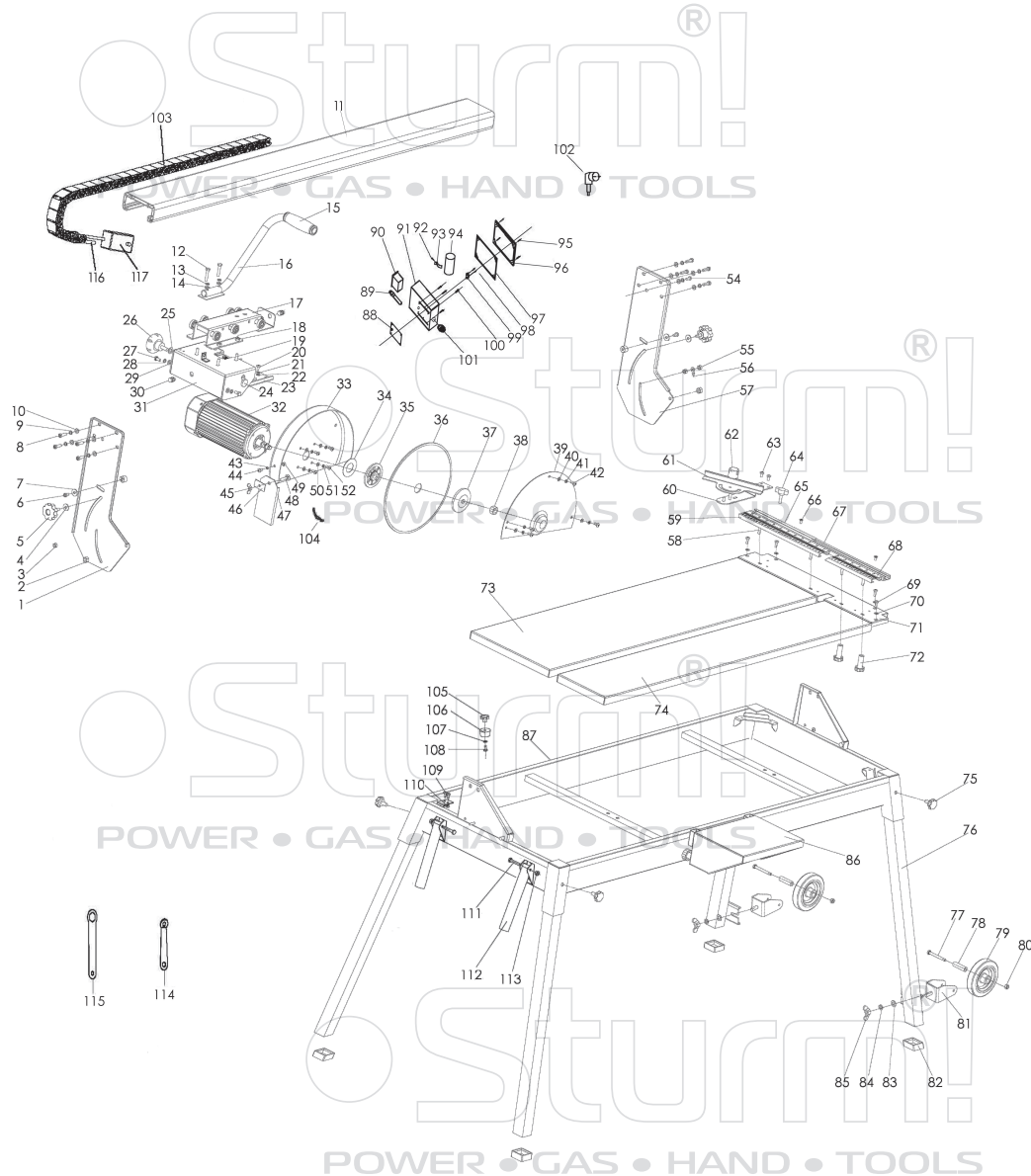


TC9823U



NO.	DESCRIPTION	NO.	DESCRIPTION
1	LEFT ROTATION PLATE	60	SQUARE FIXED PLATE
2	NUT	61	SQUARE
3	NUT	62	KNOB
4	FLAT PAD	63	SCREW
5	SUPPORT LOCKING HANDLE	64	EIGHT CHARACTERS HANDLE
6	SCREW	65	GUIDE GROOVE SLIDER
7	FLAT PAD	66	COUNTERSUNK HEAD SCREWS
8	SCREW	67	FIXED GUIDE GROOVE
9	ELASTIC CUSHION	68	GUIDE FOOT
10	FLAT PAD	69	PHILLIPS SCREWS
11	BEAM	70	FLAT PAD
12	SCREW	71	CONNECTING PLATE
13	ELASTIC CUSHION	72	GUIDE FOOT LOCKING NUT
14	FLAT PAD	73	THE WORK SURFACE
15	HAND SETS	74	THE WORK SURFACE 1
16	HAND	75	SUPPORT LEG LOCKING HANDLE
17	MOBILE BOX MINISTRY OF INSTALLATION	76	SQUARE TUBE LEGS
18	NUT	77	SCREW
19	COACH SCREWS	78	CASING
20	SCREW	79	WHEEL
21	ELASTIC CUSHION	80	NUT
22	FLAT PAD	81	WHEEL SUPPORT
23	MOTOR FIXED PLATE	82	RUBBER FEET
24	MOVE THE AXIS	83	FLAT PAD
25	FLAT PAD	84	ELASTIC CUSHION
26	TABLE SAWS HANDLE	85	WING NUT
27	SCREW	86	AUXILIARY WORK SURFACE
28	ELASTIC CUSHION	87	SINK
29	FLAT PAD	88	SEAL THE END OF THE SWITCH BOX
30	COLLISION NAIL	89	OUTLET HOSE
31	MOBILE BOX HOLDER	90	SWITCH
32	MOTOR MINISTRY OF INSTALLATION	91	THE END OF THE SWITCH BOX
33	WITHIN THE GUARD	92	SELF-TAPPING SCREWS
34	WATER BLOCKING RING	93	CAPACITANCE CARD
35	INNER CHUCK	94	CAPACITANCE
36	CUT SLICES	95	SELF-TAPPING SCREWS
37	FOREIGN CHUCK	96	SWITCH COVER
38	NUT	97	SWITCH COVER GASKET
39	OUTSIDE THE GUARD	98	SELF-TAPPING SCREWS
40	FLAT PAD	99	PRESSURE LINE CARDS
41	ELASTIC CUSHION	100	SCREW
42	SCREW	101	PULL OFF
43	ELASTIC CUSHION	102	PLUG THE POWER CORD
44	SCREW	103	TOWLINE
45	BUTTERFLY SCREWS	104	CHAIN
46	PLATE	105	KNOB
47	FLAP	106	RUBBER FEET
48	COACH SCREWS	107	FLAT PAD
49	NUT	108	SCREW
50	FLAT PAD	109	SCREW
51	ELASTIC CUSHION	110	NUT
52	SCREW	111	SCREW
54	SCREW	112	HAND
55	NUT	113	NUT
56	POINTER	114	SMALL WRENCH
57	RIGHT ROTATION PLATE	115	LARGE WRENCH
58	COACH SCREWS	116	PIPES
59	GUIDE FOOT	117	PUMP