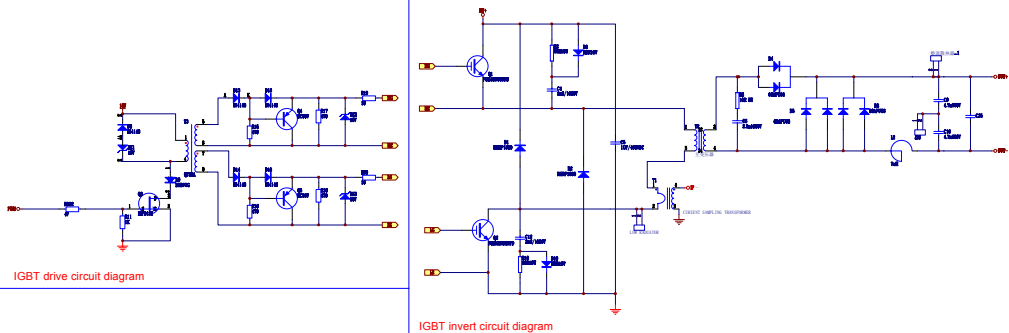
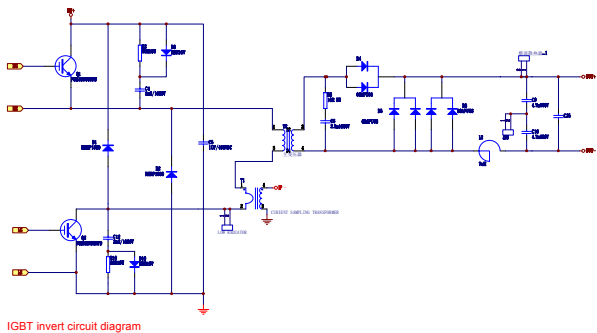


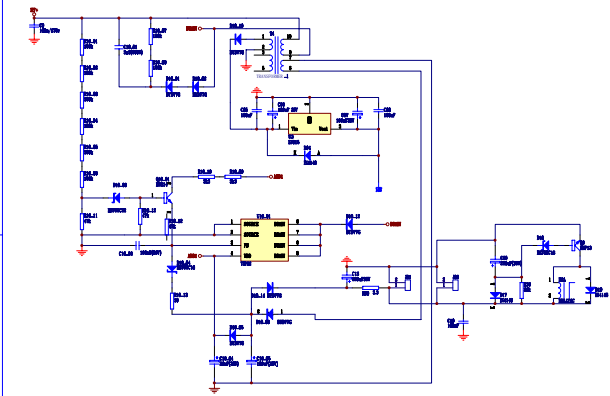
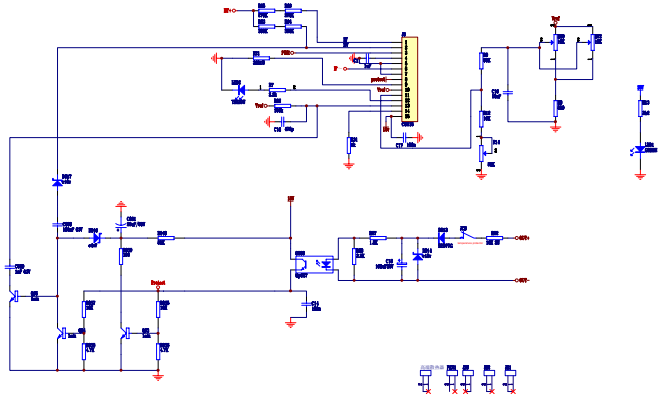
main circuit rectifier and filter diagram



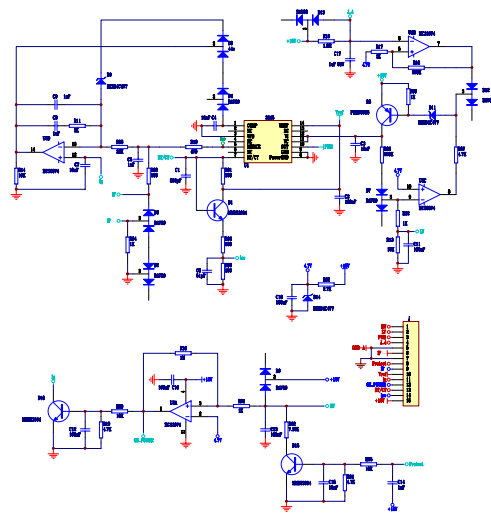
IGBT drive circuit diagram



IGBT invert circuit diagram



Auxiliary power diagram



control board diagram