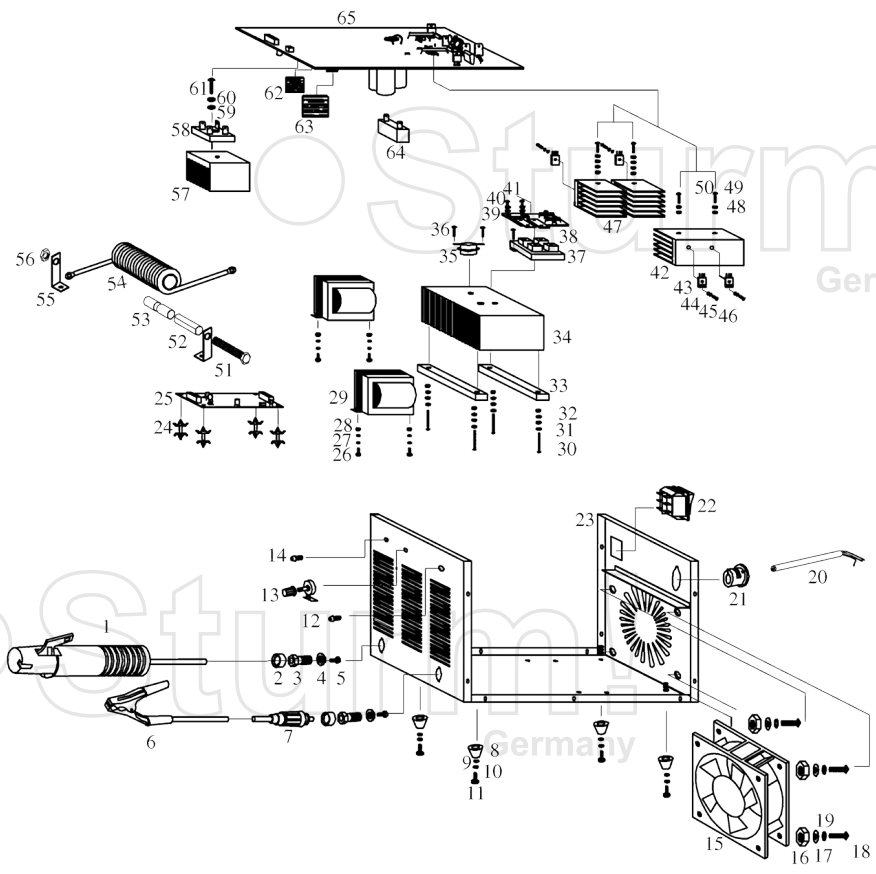


AW97118S

NO.	DESCRIPTION	NO.	DESCRIPTION
1	ELETRODE HOLDER	36	FLAT- WASHER
2	INSULATED JACKET	37	RECTIFIER
3	CONDUCTOR OF TIE-IN SOCKET	38	PCB
4	FLAT- WASHER	39	FLAT- WASHER
5	BOLT	40	SPRING- WASHER
6	CLAMP OF WELDED MATERIAL	41	BOLT
7	COUPLING DEVICE	42	RADIATOR
8	BOLSTER	43	IGBT
9	NUT	44	FLAT- WASHER
10	FLAT- WASHER	45	SPRING- WASHER
11	BOLT	46	BOLT
12	POWER INDICATOR	47	RADIATOR
13	RHEOSTAT AND KNOB	48	FLAT- WASHER
14	OVERHEAT INDICATOR	49	SPRING- WASHER
15	ELECTRIC FAN	50	BOLT
16	NUT	51	BOLT
17	FLAT- WASHER	52	INSULATION PAPER
18	BOLT	53	MAGNETIC CORE
19	SPRING- WASHER	54	INDUCTOR
20	POWER CABLE	55	BRACKET OF INDUCTOR
21	LOCK SLEEVE OF CABLE	56	NUT
22	POWER ON/OFF SWITCH	57	RADIATOR
23	BRACKET	58	RECTIFIER
24	BRACKET OF PCB	59	SPRING- WASHER
25	PCB	60	BOLT
26	NUT	61	FLAT- WASHER
27	FLAT/SPRING- WASHER BOLT	62	PCB
28	MAIN TRANSFORMER	63	CAPACITANCE
29	COIL INSULATION PAPER CORE	64	RESISTANCE
30	BOLT	65	PCB
31	FLAT/SPRING-GASKET	66	TAPPING SCREW
32	NUT	67	ENCLOSURE
33	INSULATED BOLSTER	68	BUCKLE
34	RADIATOR	69	GALLUS
35	THERMAL CUTOUT		



RU7032901