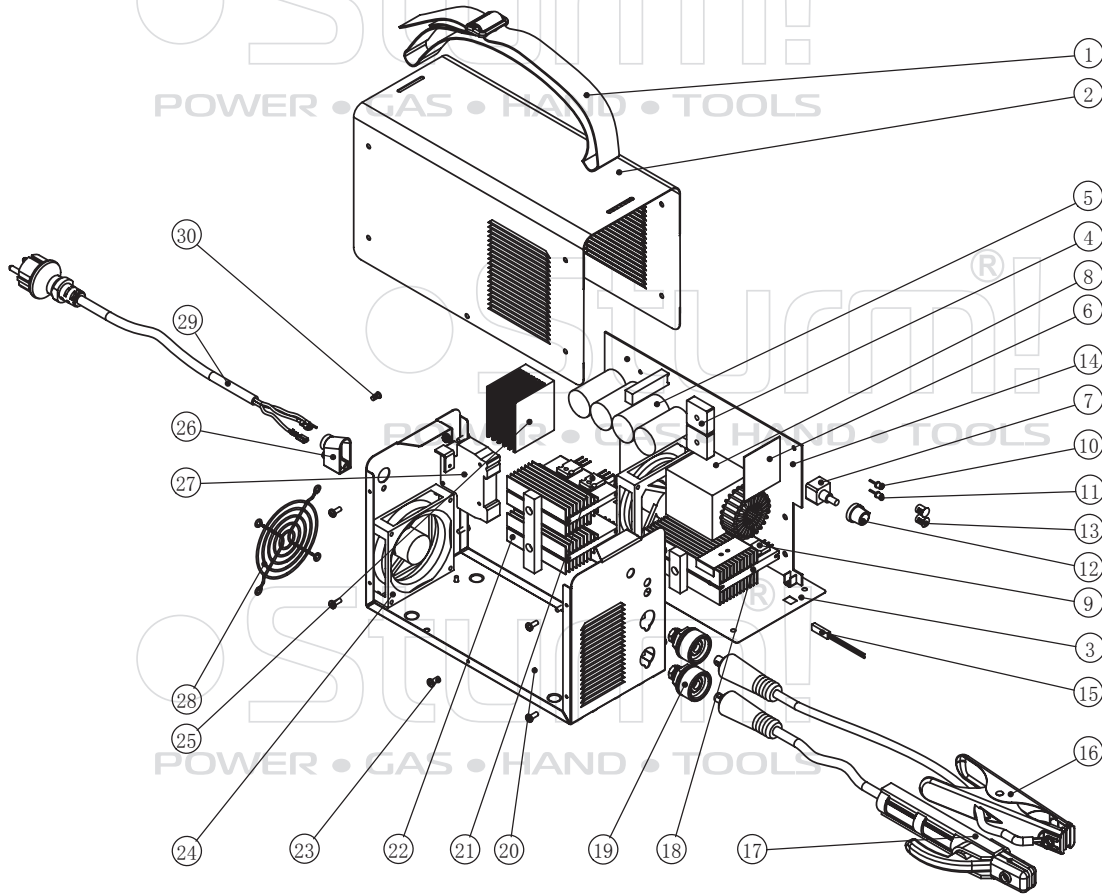


# AW97I22L



NO	DESCRIPTION
1	BELT
2	STEEL COVER
3	INSULATING CLAPBOARD
4	BRIDGE
5	CAPACITOR
6	CONTROL PCB
7	POTENTIOMETER
8	TRANSFORMER
9	FAST RECOVERY DIODE(FRD)
10	POWER LED
11	THERMAL PROTECTION LED
12	POTENTIOMETER BUTTON
13	LED COVER
14	MAIN PCB
15	TEMPERATURE CONTROLLER
16	EARTH CLAMP
17	ELECTRODE HOLDER
18	HEAT SINK FOR FRD
19	QUICK CONNECTOR
20	STEEL BASE
21	IGBT
22	HEAT SINK FOR IGBT
23	TAPPING SCREW
24	FAN
25	HEAT SINK FOR BRIDGE
26	CABLE CLIP
27	SWITCH
28	FAN COVER
29	MAIN CABLE
30	SCREW

# The main board front for AW97122L

