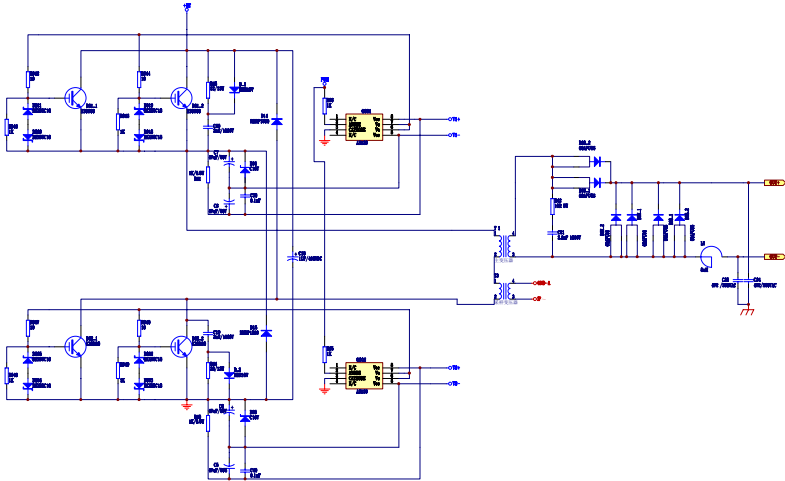
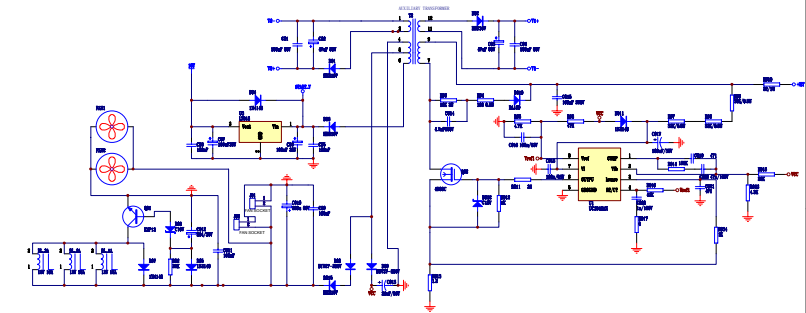
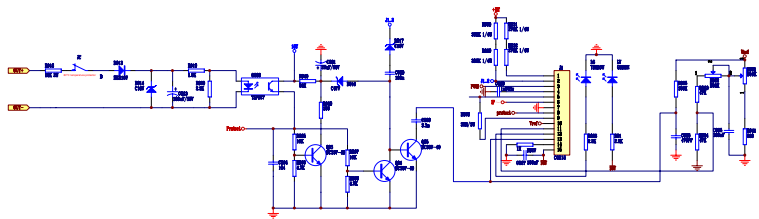


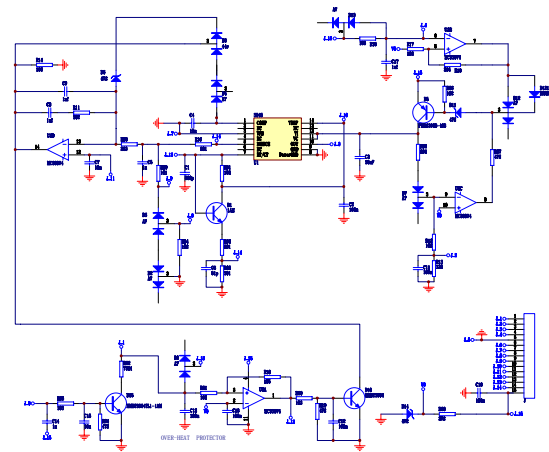
main circuit rectifier and filter diagram



IGBT drive / invert circuit diagram



Auxiliary power diagram



control board diagram