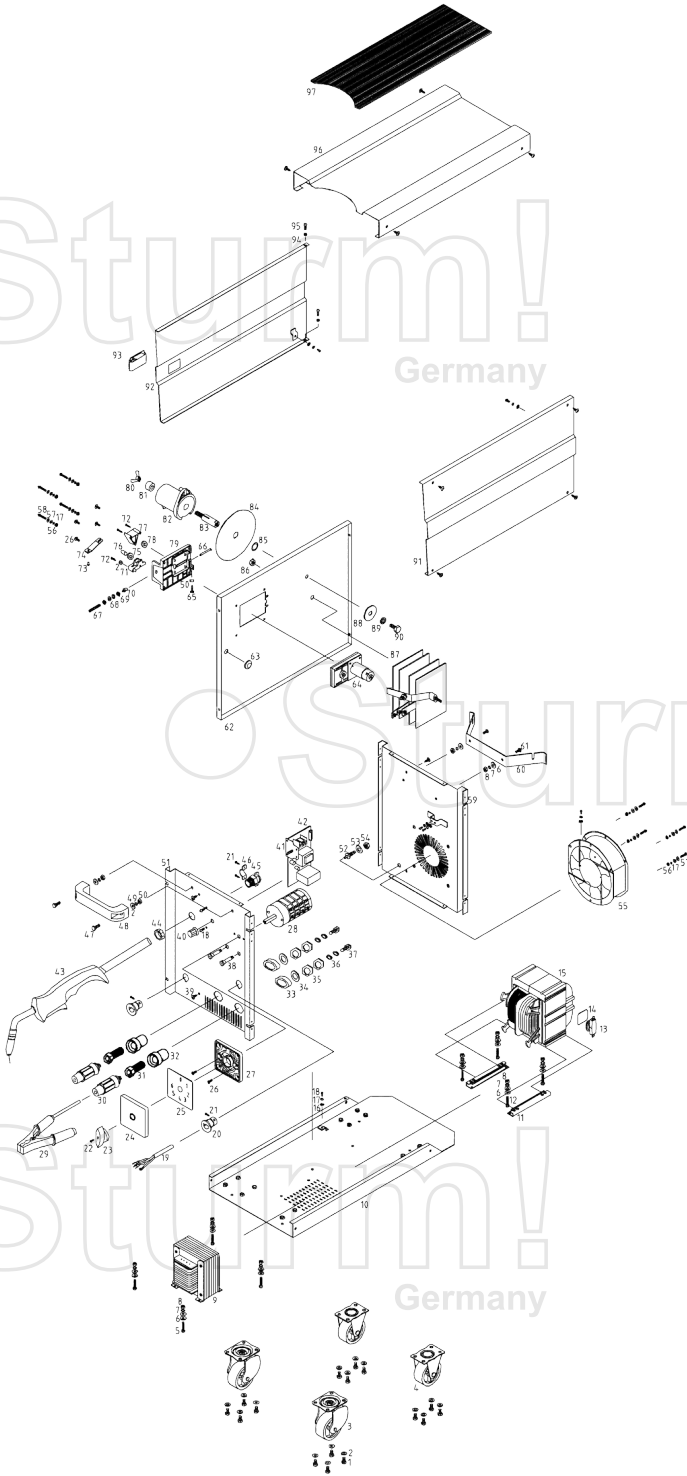


# AW97M18A



NO.	DESCRIPTION	NO.	DESCRIPTION
1	BOLT	50	NUT
2	FLAT -WASHER	51	FRONT PANEL WITH TEXT
3	SWIVEL CASTOR	52	GAS GUIDE IN
4	CASTOR	53	FLAT - WASHER
5	BOLT	54	NUT
6	FLAT - WASHER	55	ELECTRIC FAN
7	SPRING- WASHER	56	NUT
8	NUT	57	SPRING- WASHER
9	INDUCTOR	58	BOLT
10	BOTTOM PLATE	59	BACK PANEL WITH TEXT
11	U-SHAPED FASTENER	60	CLIP OF GAS CYLINDER
12	BOLT	61	BOLT
13	THERMAL CUTOUT	62	MIDDLE CLAPBOARD
14	ALUMINIUM PIECE	63	RUBBER BAND
15	TRANSFORMER	64	WIRE FEED UNIT
16	LOCKWASHER	65	SCREW
17	SPRING-WASHER	66	WIRE GUIDE IN
18	BOLT	67	BOLT
19	POWER CABLE	68	NUT
20	LOCK SLEEVE OF CABLE	69	FLAT - WASHER
21	TAPPING SCREW	70	WIRE GUIDE OUT
22	BOLT	71	PRESSURE ARM COMPL.
23	KNOB	72	BOLT
24	COVER	73	CONNECTION PEG
25	BOLT	74	PRESSURE SET
26	INDICATOR PANEL	75	FEED ROLLER
27	SEAT	76	SHAFT
28	VOLTAGE ADJUSTMENT SWITCH	77	SHAFT SUPPORT
29	CLAMP OF WELDED MATERIAL	78	FEED ROLLER
30	COUPLING DEVICES	79	BRACKET
31	CONDUCTOR	80	BUTTERFLY NUT
32	INSULATING JACKET	81	SHAFT COVER
33	INSULATING LANTERN RING	82	SHAFT OF WIRE TRAY
34	FLAT-WASHER	83	SHAFT
35	NUT	84	BIG WASHER
36	FLAT-WASHER	85	FLAT - WASHER
37	BOLT	86	NUT
38	OVERHEAT/POWER INDICATOR	87	DIODE BRIDGE
39	TAPPING SCREW	88	FLAT - WASHER
40	KNOB	89	SPRING- WASHER
41	SUPPORT OF PCB	90	BOLT
42	PCB	91	SIDE PANEL (RIGHT)
43	WELDING GUN AND CABLE,HOSE	92	SIDE PANEL (LEFT)
44	LOCKNUT OF CABLE	93	CLASPER OF GATE
45	LOCK APPARATUS OF CABLE	94	NUT
46	CLIP OF CABLE	95	BOLT
47	BOLT	96	TIP PANEL
48	HANDLE	97	RUBBER MAT
49	SPRING- WASHER		