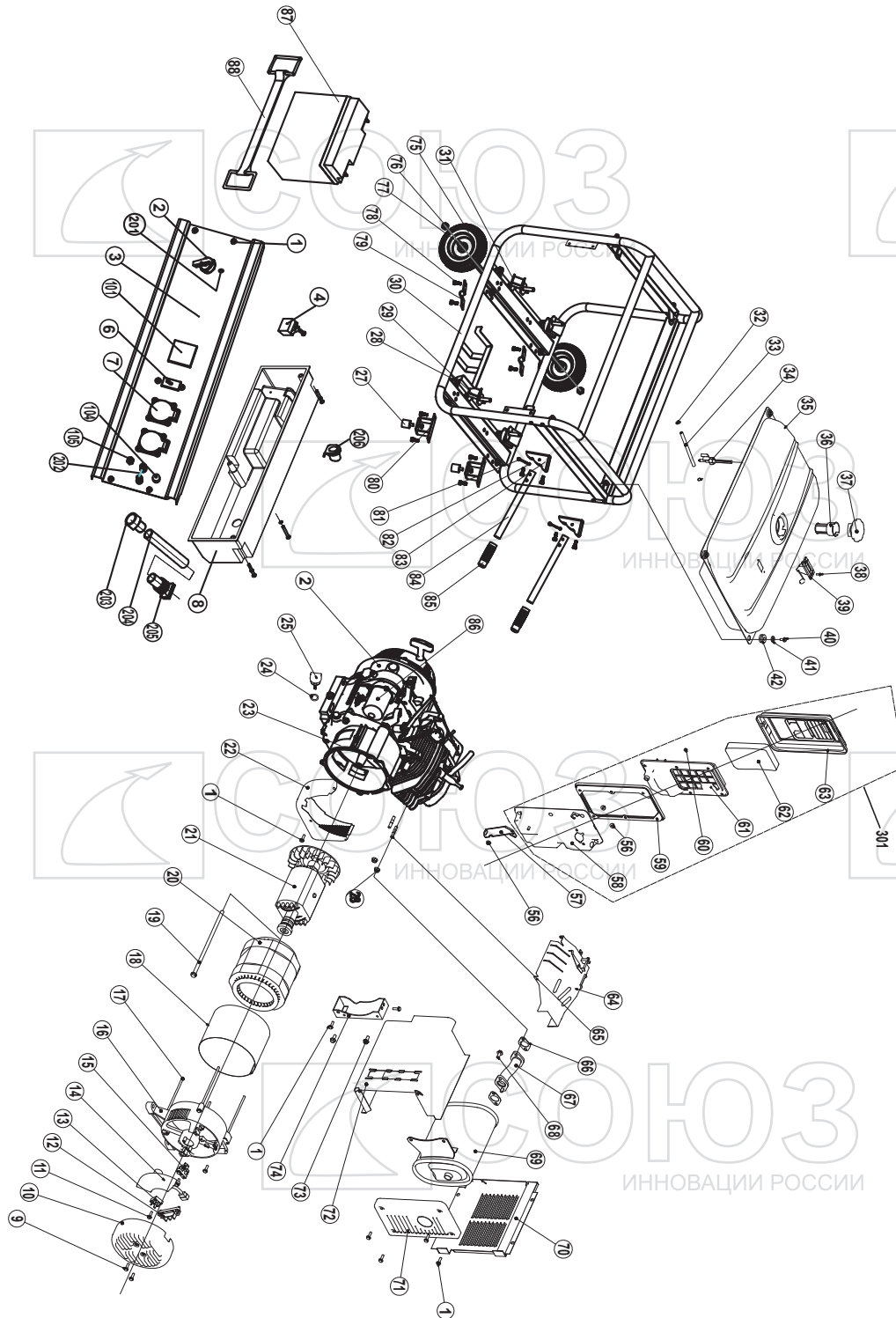
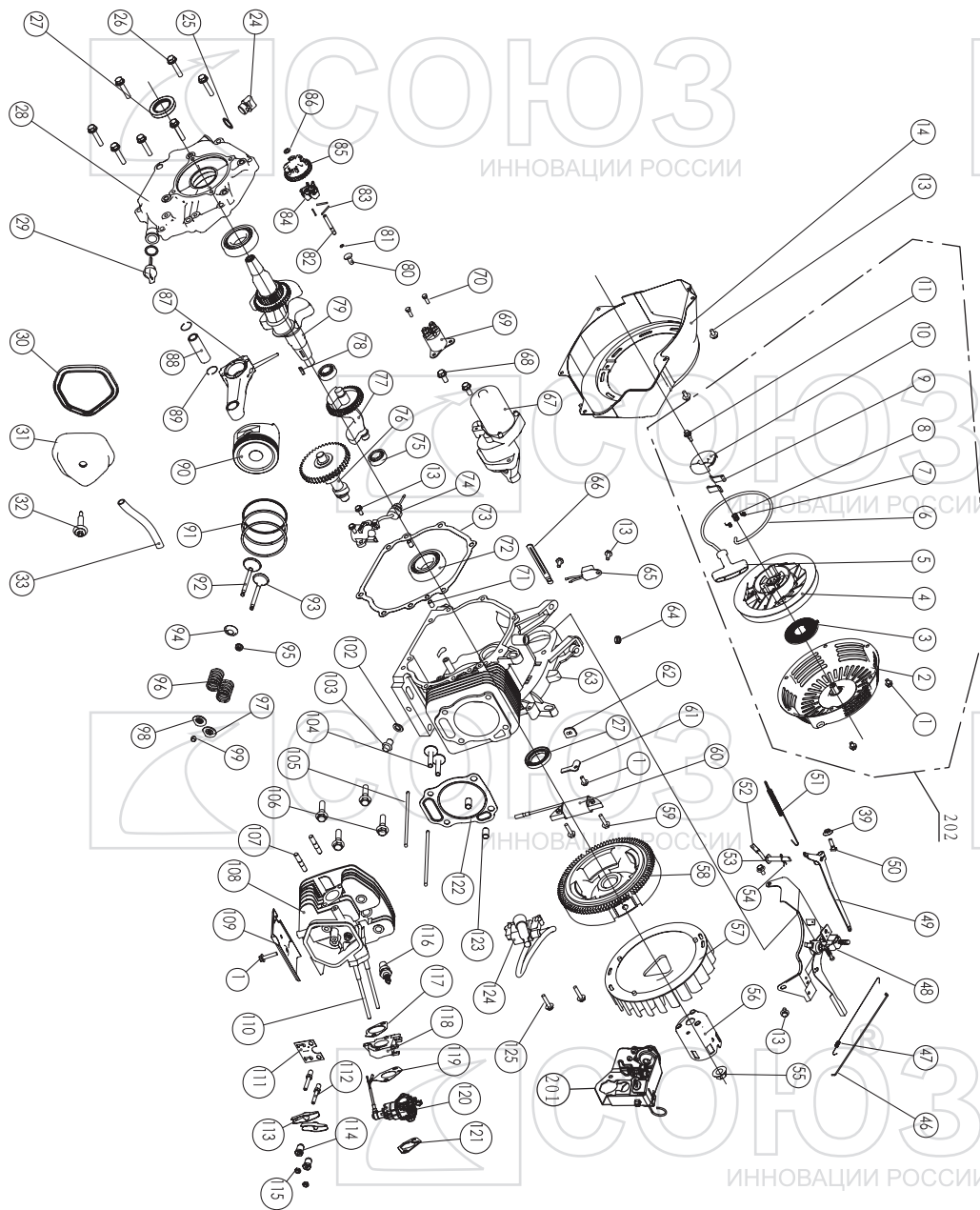


ЭГС-8750Э.ЭГС-8760Э



NO.	DESCRIPTION	NO.	DESCRIPTION
1	BOLT M6X12	57	AIR CLEANER STAY
2	SWITCH	58	AIR CLIEANER CASE COMP
3	CONTROL PANEL	59	AIR CLIEANER SEAL
4	DIODE ASSY	60	NUT M5
6	AC CIRCUIT BREAKER	61	SEPARATOR
7	RECEPTACLE (AC)	62	ELEMENT
8	CASE	63	AIR CLEANER COVER COMP
9	BOLT M5X10	64	CONTROL ASSY
10	GENERATOR END COVER	65	BOLT
11	BOLT M6X10	66	MUFFLER GASKET
12	TERMINAL	67	EX PIPE
13	DIODE ASSY	68	BOLT M8X25
14	AVR	69	MUFFLER
15	BRUSH ASSY	70	MUFFLER INNER PROTECTOR
16	END COVER	71	MUFFLER LIFE PROTECTOR
17	FLANGE BOLT M6X179	72	MUFFLER OUTER PROTECTOR
18	STATOR COVER	73	BOLT M8X20
19	FLANGE BOLT M10X1.25X265	74	MUFFLER STAY
20	STATOR ASSY	75	WHEEL
21	ROTOR COMP	76	NUT M12
22	COVER	77	WHEEL SHAFT
23	CRANKCASE COVER	78	BOLT M8X20
24	O-RING	79	PLATEN
25	OIL FILLER CAP	80	SUPPORT FEET
26	ENGINE	81	BOLT M6X40
27	FRAME RUBBET	82	NUT M6
28	NUT M8	83	HANDLE HOLDER
29	BOTTOM RUBBER 1	84	HANDLE
30	FRAME	85	HANDLE HOLSTER
31	BOTTOM RUBBER 2	86	MOTOR
32	CLIP	87	BATTERY
33	FUEL TUBE	88	BANDAGE
34	FUEL COCK	101	VOLTMETER
35	FUEL TANK	104	D.C 10A BREAKER
36	FUEL FILTER	105	EARTH BOLT
37	FUEL TANK CAP	201	2A BREAKER
38	SCREW M5X6	202	RECEPTALE(DC)
39	FUEL METER ASSY	203	PLASTIC SLEEVE
40	BOLT M6X25	204	RIPPLE PIPE
41	WASHER 6	205	PLASTIC SLEEVE
42	RUBBER	206	PLASTIC SLEEVE
56	NUT M6	301	AIR CLEANER ASSEMBLY(58+.....63)

SO20130207



БЕНЗОДВИГАТЕЛЬ ДЛЯ ЭГС-8750Э.ЭГС-8760Э

No.	DESCRIPTION	No.	DESCRIPTION	No.	DESCRIPTION
1	FLANGE BOLTM6X8	66	WIRE CLIP	108	HEAD COMP
2	RECOIL STARTER CASE COMP	67	START MOTOR	109	SHROUD
3	STARTER RETURN SPRING	68	FLANGE BOLTM8X35	110	BOLT
4	RECOIL STARTER PULLEY	69	RELAY	111	PUSH ROD GUIDE PLATE
5	RECOIL STARTER KNOB	70	FLANGE BOLTM5X20	112	PIVOT BOLT
6	RECOIL STARTER ROPE		FLEXIBILITY GASKET	113	VALVE ROCKET ARM
7	RATCHET SPRING	71	DOWEL PIN8X14	114	ROCKER ARM PIVOT
8	RATCHET GUIDE SPRING	72	RADIAL BALL BEARING 6207/C3	115	PIVOT ADJUSTING NUT
9	RATCHET STARTER	73	CASE COVER PACKING	116	SPARK PLUG
10	RATCHET GUIDE	74	OIL LEVEL SWITCH ASSY	117	CARBURETOR INSULATOR PACKING
11	RATCHET GUIDE BOLT	75	RADIAL BALL BEARING6202/P6	118	CARBURETOR INSULATOR
13	FLANGE BOLTM6X12	76	CAMSHAFT COMP	119	CARBURETOR PACKING
14	FAN CORER COMP	77	BALANCE GEAR	120	CARBURETOR ASSY
24	OIL FILLER CAP	78	KEY	121	AIR CLEANER PACKING
25	OIL FILLER CAP PACKING	79	CRANKSHAFT COMP	122	CYLINDER HEAD CASKET
26	FLANGE BOLTM8X40	80	GOVERNOR SLIDER	123	DOWEL PIN
27	OIL SEAL	81	GOVERNOR SHAFT CLIP	124	IGNITION
28	CRANKCASE COVER	82	GOVERNOR SHAFT	125	BOLT M6X29
29	AIR CLEANER PACKING	83	GOVERNOR WEIGHT PIN	201	ENRICHMENT SET ASSY
30	HEAD OVER PACKING	84	GOVERNOR WEIGHT	202	STARTER ASSEMBLY(1+2...11)
31	HEAD COVER COMP	85	GOVERNOR WEIGHT HOLDER		
32	HEAD COVER BOLT COMP	86	WASHER		
33	TUBE	87	CONNECTING ROD ASSEMBLY		
46	GOVERNOR ROD	88	PISTON PIN		
47	THROTTLE RETURN SPRING	89	PISTON PIN CLIP		
48	CONTROL ASSY	90	PISTON		
49	GOVERNOR ARM	91	OIL SEAL SET COMP		
50	GOVERNOR ARM BOLT		SECOND RING SET		
51	GOVERNOR SPRING		FIRST RING SET		
52	COVER ARM SHAFT	92	EX, VALVE		
53	WASHER8.2X17X0.8	93	IN, VALVE		
54	PIN CLIP	94	VALVE SPRING WASHER		
55	SPECIAL NUT	95	VALVE OIL		
56	STARTER PULLEY COMP	96	VALVE SPRING		
57	COOLING FAN	97	IN , VALVE SPRING RETAINER		
58	FLYWHEEL COMP	98	EX , VALVE SPRING RETAINER		
59	FLANGE BOLTM6X29	99	VALVE ROTATOR		
60	ELECTRIFY COIL	102	DRAIN PLUG WASHER		
61	WIRE FLAT	103	DRAIN PLUG BOLT		
62	PACKING	104	VALVE LIFTER		
63	CRANKCASE ASSY	105	PUSH ROD		
64	OIL SEAL	106	BOLT		
65	DIODE COMP	107	BOLT		

SO20130207

ИННОВАЦИИ РОССИИ

ИННОВАЦИИ РОССИИ