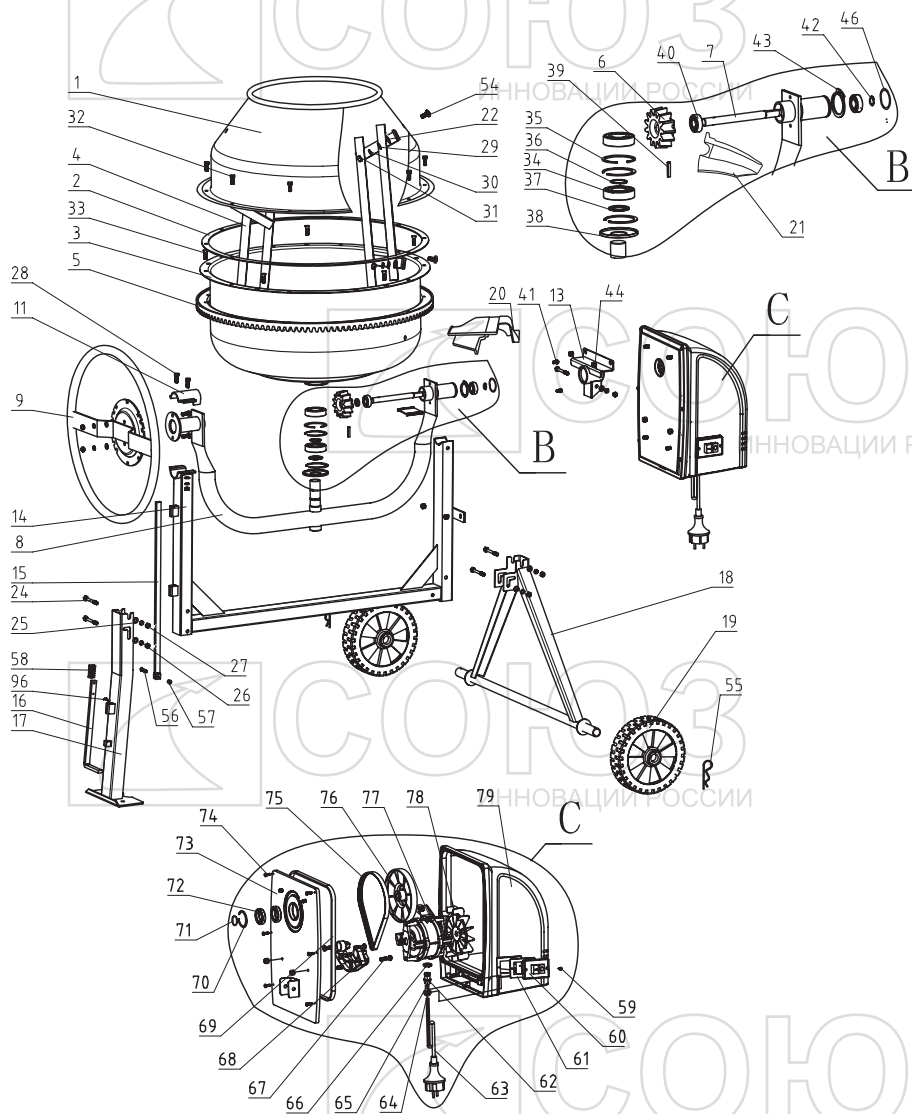


БМС-19180



NO.	DESCRIPTION	NO.	DESCRIPTION
1	UPPER DRUM	40	BEARING 6202
2	RUBBER GASKET	41	BOLT M6X12
3	LOWER DRUM	42	CIRCLIP 15
4	MIXING BLADE	43	CIRCLIP 42
5	BIG COGWHEEL	44	LUCK NUT M8
6	DRIVE PINION	46	ROUNDWIRE SNAP RINGS FOR SHAFT 42
7	DRIVE SHAFT	54	CROSS HEADED SCREW M10X20
8	SUPPORT ARM	55	B SHAPE PIN 3
9	TIPPING WHEEL	56	BOLT M6X25
11	UP BRACKET	57	LOCK NUT M6
13	BEARING BLOCK - RIGHT	58	SPRING FOR LOCK ROD
14	FRAME	59	SCREW ST3.5*16
15	UPPER LOCK ROD	60	SWITCH
16	LOWER LOCK ROD	61	GASKET FOR SWITCH
17	SUPPORT LEG	62	STRAIN RELIEF BOLT
18	AXLE BRACKET	63	POWER CORD
19	WHEEL	64	STRAIN RELIEF NUT
20	GEAR GUARD - I	65	STRAIN RELIEF RUBBER
21	GEAR GUARD - II	66	STRAIN RELIEF INNER NUT
22	WATERPROOF WASHER	67	BOLT M8X30-8.8
24	BOLT M8X70	68	MOTOR MOUNT BRACKET
25	FLAT WASHER 8	69	GASKET FOR MOTOT COVER
26	SPRING WASHER 8	70	CIRCLIP FOR HOLE 47
27	NUT M8	71	ROUNDWIRE SNAP RINGS FOR SHAFT 30
28	BOLT M8X20	72	BEARING 6906
29	FLAT WASHER 10	73	END PLATE
30	SPRING WASHER 10	74	SCREW ST4.8*16
31	NUT M10	75	BELT
32	BOLT M8X16	76	IDLE PULLEY
33	CROSS COUNTERSUNK HEAD SCREW M8X12	77	MOTOR
34	BEARING 6206	78	FAN
35	CIRCLIP FOR HOLE 62	79	MOTOR COVER (PLASTIC)
36	CIRCLIP 30	96	COTTER PIN 5X40
37	ADJUST WASHER		
38	DUSTPROOF COVER		
39	SPRING PIN		

SO20131129