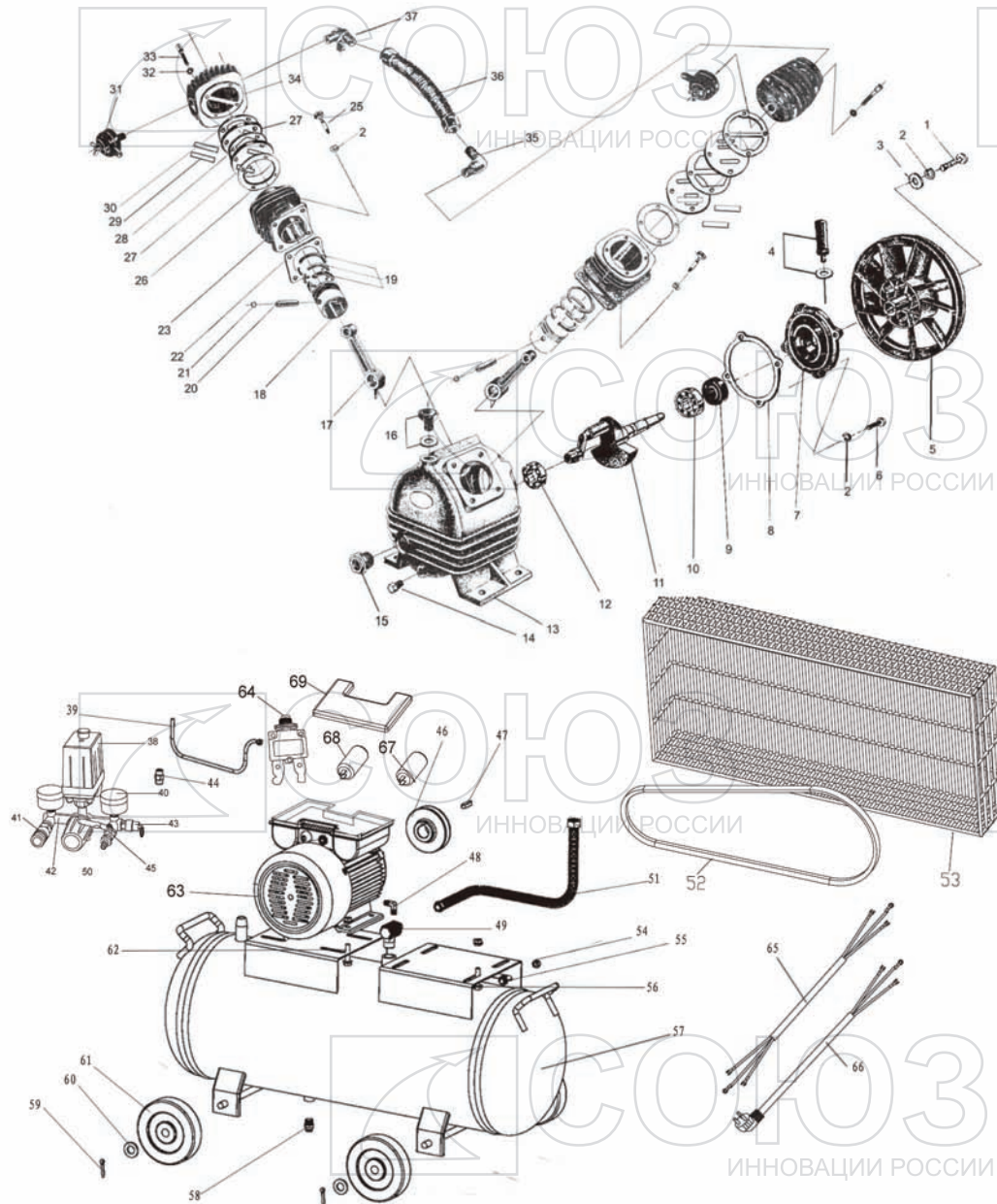


БКC-93236, БКC-93436



NO.	DESCRIPTION	NO.	DESCRIPTION
1	BOLT	36	RADIATOR TUBE ASSY
2	SPRING WASHER	37	TEE CONNECTOR
3	SHAFT END WASHER	38	PRESSURE SWITCH
4	BREATH PIPE	39	RELEASE PIPE WITH NUT
5	FAN PULLEY	40	PRESSURE GAUGE
6	BOLT	41	QUICK CONNECTOR
7	BEARING SEAT	42	MULTI- CONNECTOR
8	BEARING SEAT GASKET	43	SAFETY VALVE
9	SEALING RING	44	STRAIGHT CONNECTOR
10	BEARING 6204	45	BALL VALVE CONNECTOR
11	CRANKSHAFT	46	MOTOR PULLEY
12	BEARING 6205	47	KEY
13	CRANKCASE	48	ELBOW CONNECTOR
14	OIL DRAIN PLUG	49	CHECK VALVE
15	OIL LEVELER	50	REGULATET VALVE
16	OIL FILTER PLUG	51	DISCHARGE PIPE WITH NUT
17	CONNECTING ROD	52	V-BELT
18	PISTON	53	V-BELT GUARD
19	PISTON RING	54	FLANGE BOLT
20	PISTON PIN	55	FLANGE NUT
21	PISTON PIN CIRCLIP	56	FLANGE BOLT
22	CYLINDER GASKET	57	AIR TANK
23	CYLINDER	58	DRAING COCK
25	BOLT	59	COTTER PIN
26	VALVE GASKET	60	BUSH
27	VALVE PLATE	61	WHEEL
28	VALVE INNER GASKET	62	FLANGE BOLT
29	VALVE CLACK	63	MOTOR
30	CYLINDER HEAD GASKET	64	CIRCUIT BREAKER
31	AIR FILTER	65	CABLE
32	SPRING WASHER	66	POWER CODE
33	SOCKET CAP	67	START CAPACITOR
34	CYLINDER HEAD	68	OPERATION CAPACITOR
35	RIGHT-ANGLE CONNECTOR	69	CAPACITOR COVER

SO20130701

