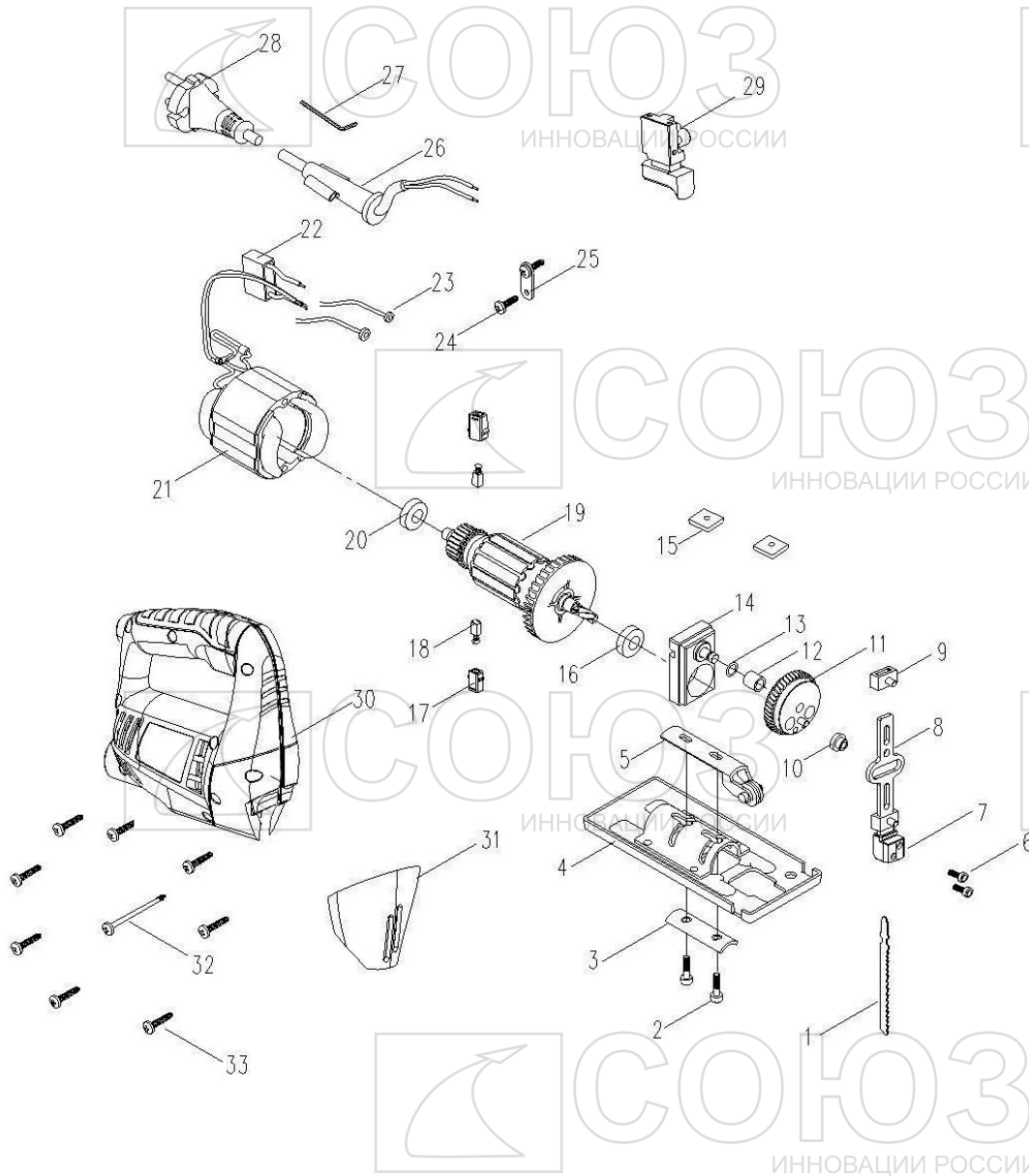


# ЛБС-4050



NO.	DESCRIPTION
1	SAW BLADE
2	INNER HEXAGON SCREW
3	COUPLING BOARD
4	MOTHERBOARD
5	BRACKET
6	INNER HEXAGON SCREW
7	CLIP
8	SAW ARM
9	SLIDING BEARING
10	IDLER WHEEL
11	GEAR
12	BUSH
13	WASHER
14	CENTER BRACKET
15	QUADRATE NUT
16	BEARING 608Z
17	CARBON BRUSH BRACKET
18	CARBON BRUSH
19	ROTOR
20	BEARING 626Z
21	STATOR
22	CAPACITANCE
23	INDUCTANCE
24	SCREW
25	CORD CLIP
26	CORD SLEEVE
27	ALLEN KEY
28	CORD
29	SWITCH
30	HOUSING ASSEMBLY
31	GUARD
32	SCREW
33	SCREW

SO20130607