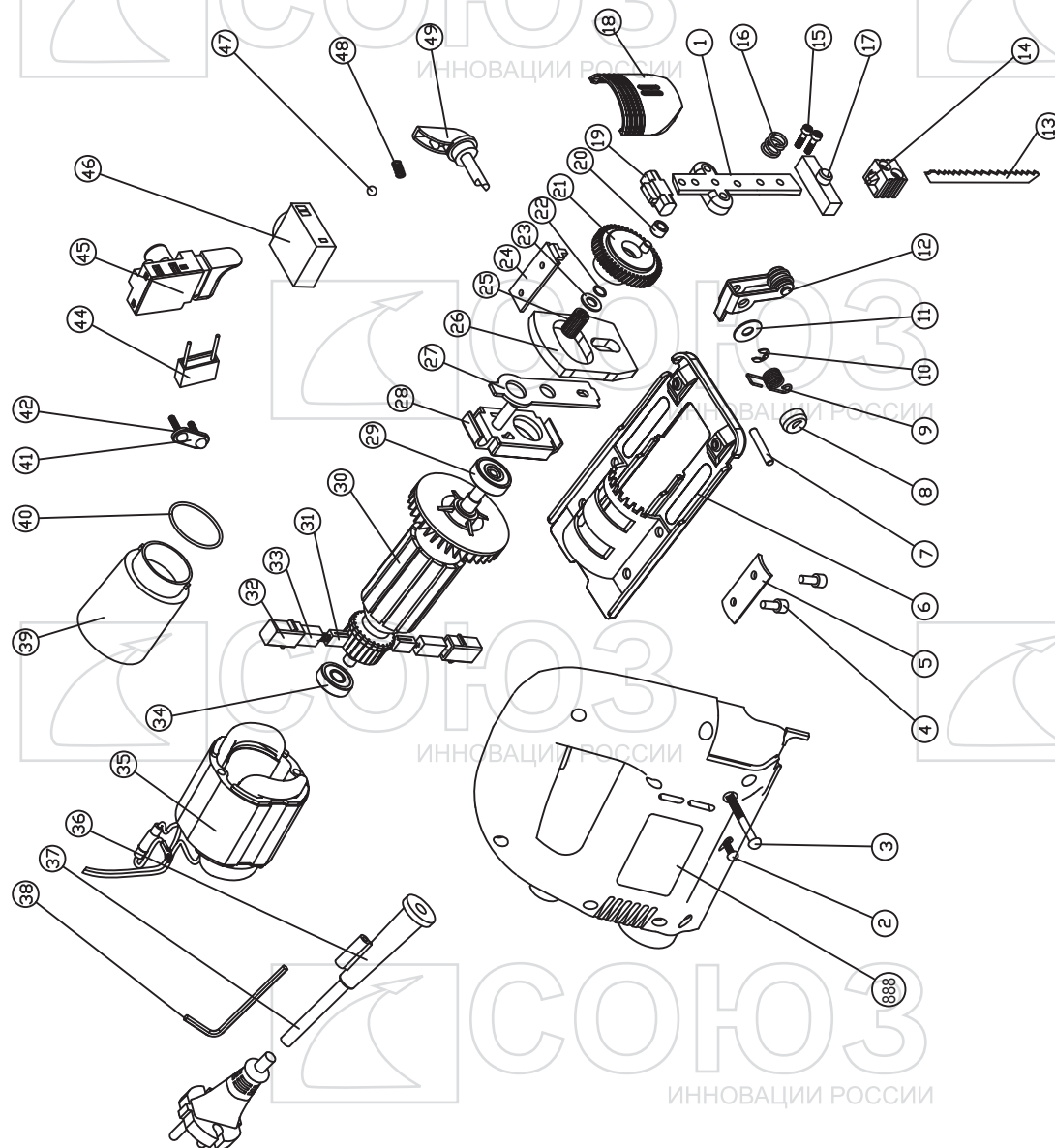


# ЛБС-4065



NO.	DESCRIPTION	NO.	DESCRIPTION
1	SAW ARM	26	BALANCE ROLLER BEARING
2	TAPPING SCREW ST3.9X19	27	LIFTING KINFE PLATE
3	TAPPING SCREW ST3.9X45	28	BEARING HOLDER
4	ADJUSTING SCREW M4X14	29	BEARING 608Z
5	FIXING PLATE	30	ROTOR
6	IRON BASE PLATE	31	CARBON BRUSH
7	SAW HOLDER PIN	32	BRUSH HOLDER
8	METAL PENDULUM SWITCH	33	BRUSH BUSHING
9	ROLLER SPRING	34	BEARING 607Z
10	FIXING SPRING	35	STATOR
11	WASHER	36	CORD SLEEVE
12	BALADE SUPPORT ASSN	37	AC-CORD&PLUG
13	BLADE	38	HEX KEY
14	SAW HOLDER	39	DUST CONNECTION
15	ADJUSTING SCREW M4X12	40	"O" TYPE RING
16	SPRING	41	STRAIN RELIEF
17	HOLDER FOR SAW ARM	42	TAPPING SCREW ST3.9X14
18	FINGER GUARD	44	0.22μF CAPACITOR
19	HOLDER FOR SAW ARM	45	SWITCH
20	ROLLER	46	SPEED REGULATOR
21	BIG GEARING	47	METAL BALL
22	FIXING SPRING	48	SPRING
23	WASHER	49	PENDULUM SWITCH
24	CONNECTING PLATE	888	HOUSING ASSEMBLE
25	NEEDLE ROLLER BEARING		

SO20120927-01

