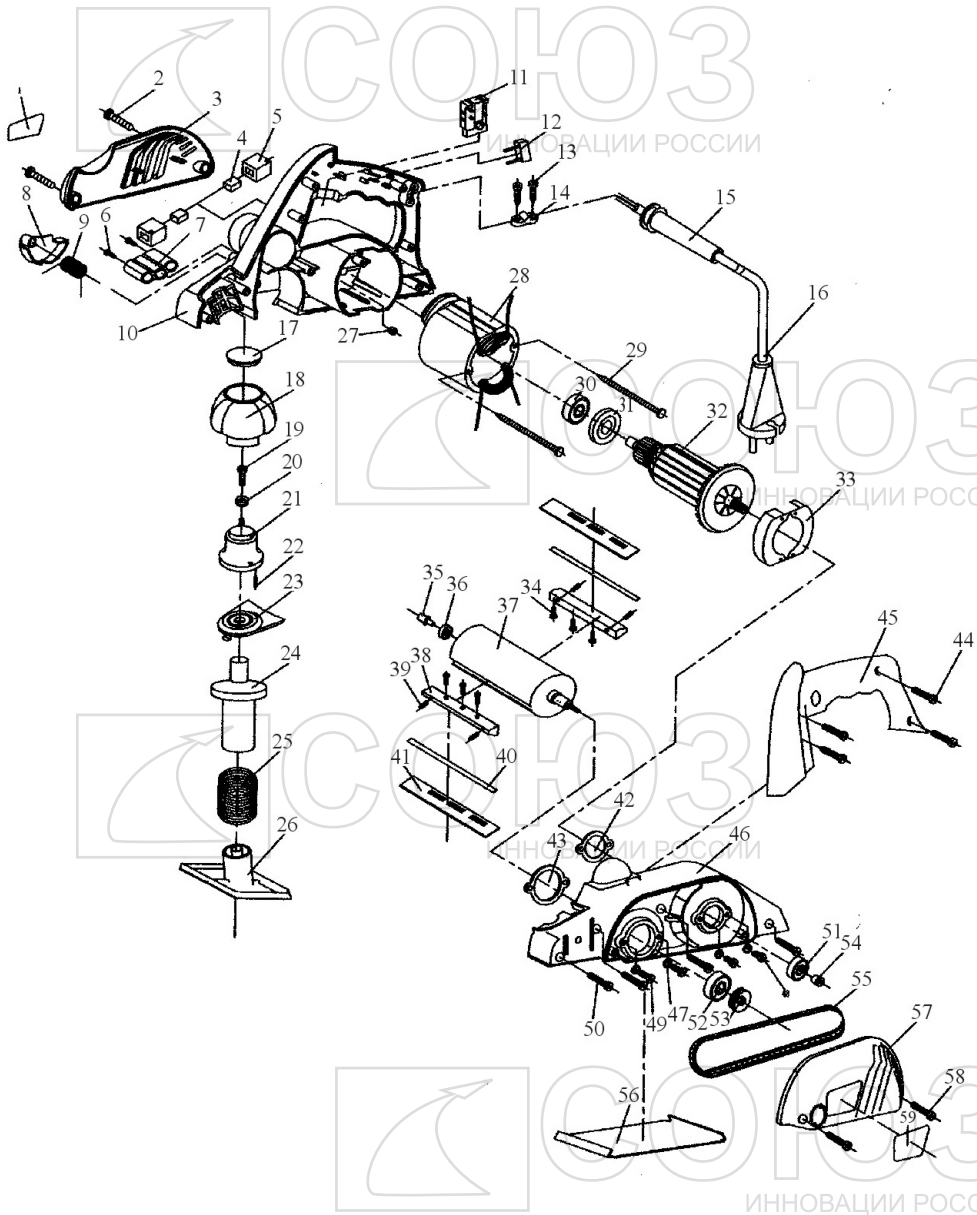


РУС-1086



NO.	DESCRIPTION	NO.	DESCRIPTION
1	LABEL	31	DEFENDER
2	TAPPING SCREW ST4.2X15	32	ROTOR ASS.
3	RIGHT END-COVER	33	WIND GUIDE
4	CARBON BRUSH	34	SCREW M5X10
5	BRUSH HOLDER ASS.	35	CONNECTION SHAFT
6	TAPPING SCREW ST4X10	36	BEARING 606Z
7	SMALL BRACKET	37	BLADE SHAFT ASS.
8	BLADE GUARD	38	UPON PRESSURE BOARD
9	TORQUE SPRING	39	SCREW M5X8
10	RIGHT HOUSING	40	BLADE
11	SWITCH	41	DOWN PRESSURE BOARD
12	CAPACITOR	42	BEARING STOP PLATE 1
13	TAPPING SCREW ST4X10	43	BEARING STOP PLATE 2
14	CORD ANCHORAGE	44	TAPPING SCREW ST4.2X15
15	CORD GUARD	45	HANDLE
16	PLUG	46	LEFT HOUSING
17	COVER	47	WASHER
18	THE COVER OF ADJUSTMENT KNOB	48	SCREW M4X10
19	TAPPING SCREW ST4.2X10	49	SCREW M4X12
20	WASHER	50	TAPPING SCREW ST4.2X15
21	ADJUST KNOB	51	BEARING 608ZZ
22	STOP PIN	52	BEARING 6200ZZ
23	FRONT SCALE PLATE	53	DRIVEN WHEEL
24	ADJUST POLE	54	DRIVING WHEEL
25	ADJUST SPRING	55	TRANSPORT BELT
26	FRONT SHOE PLATE ASS.	56	REAR SHOE PLATE
27	TIGHT BUSH	57	LEFT END-COVER
28	STATOR ASS.	58	TAPPING SCREW ST4.2X15
29	TAPPING SCREW ST4.2	59	LABEL
30	BEARING 626-ZZ		

SO20140623