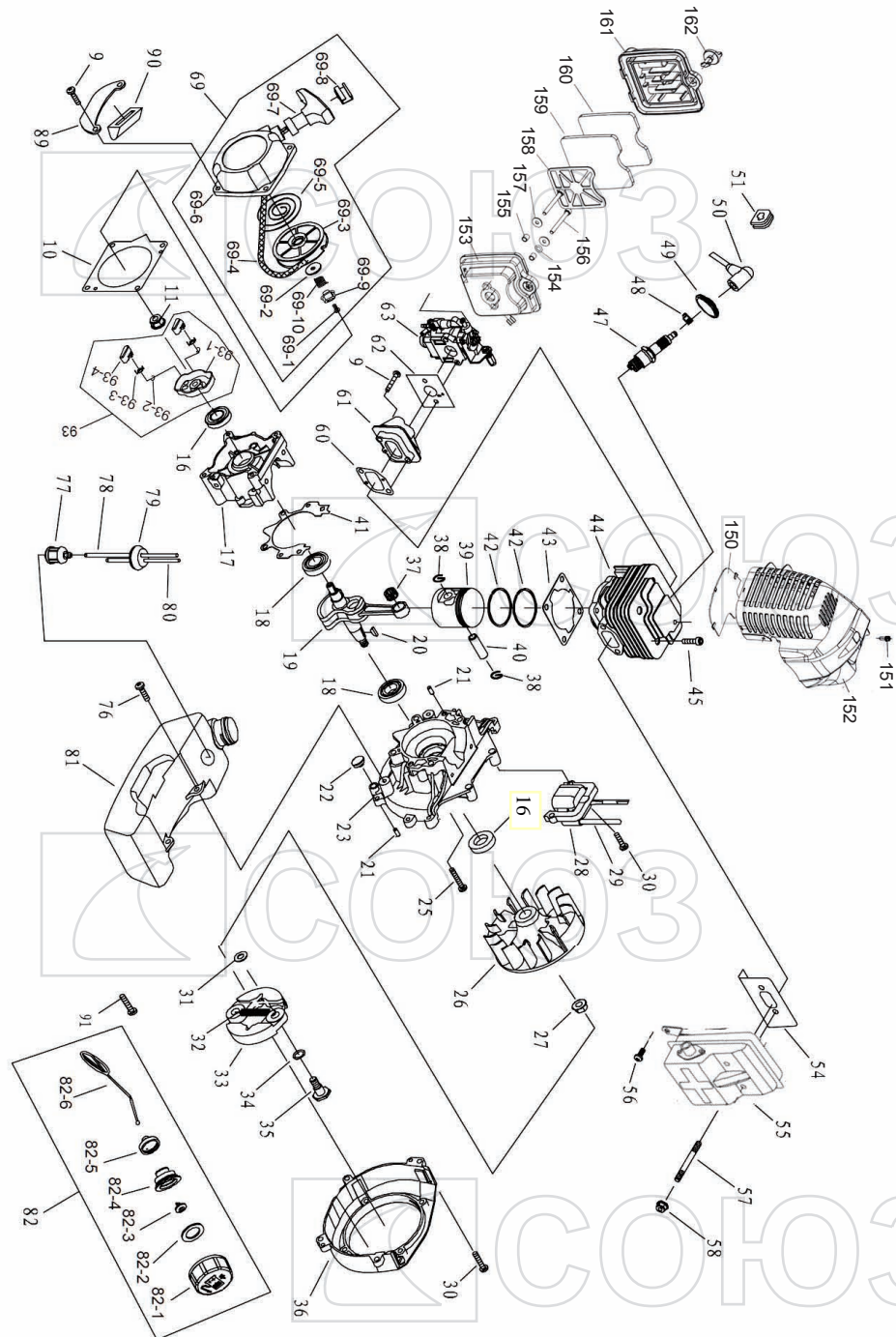


Brush cutter for BTC-9052MΦ

NO.	DESCRIPTION	NO.	DESCRIPTION
1	GEAR CASE ASSY	26	RUBBER COVER
2	STOP RING	27	OIL BEARING
3	STOP RING	28	DRIVE SHAFT
4	BEARING 6000Z	29	PIPE
5	PINION	72	NYLON CUTTER HAND
6	STEEL PLATE	73	CASE
7	CAPSCREW M5X20	74	LEFT NUT
8	WASHER	75	WASHER
9	SCREW M5X12	76	SPRING
10	BOLT M6X12	77	NYLON CORD
11	WASHER	78	CORD HOLDER
12	GEAR CASE	79	PLATEN
13	BLADE COVER	80	COVER
14	BEARING 6000Z	81	BRACKET
15	GEAR	82	SCREW M5X30
16	SHAFT	83	SAFETY GUARD
17	BEARING6002	84	WASHER
18	STOP RING	85	SCREW M5X16
19	HOLDER	87	GUARD
20	HOLDER	88	BLADE
21	HOLDER	89	GUARD ASSY
22	LEFT NUT		
24	BLADE		
25	PIPE COMP		

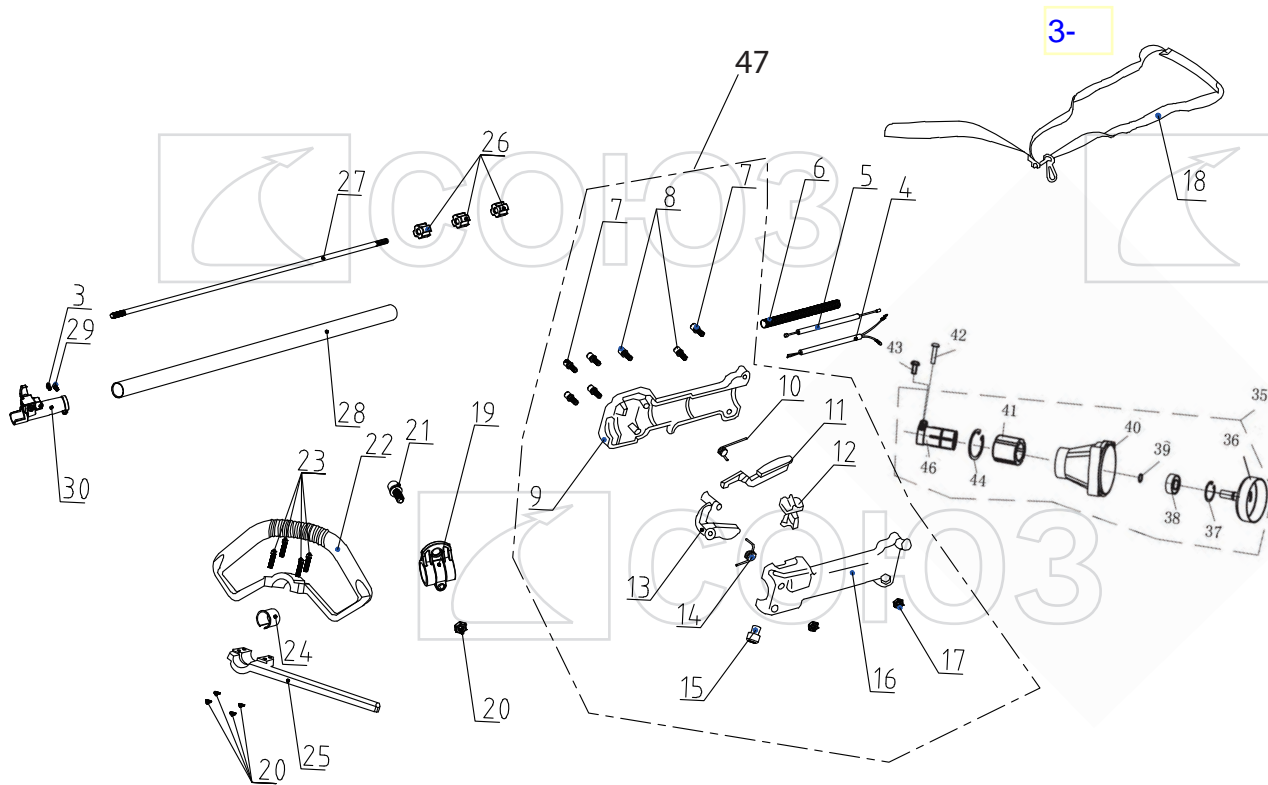
SO20131120

ENGINE FOR 5TC-9052MΦ



NO.	DESCRIPTION	NO.	DESCRIPTION	NO.	DESCRIPTION
9	SCREW M5X20	44	CYLINDER	80	INLET FUEL PIPE
10	GASKET	45	SCREW	81	FUEL TANK
11	NUT	47	SPARK PLUG	82	LID ASSY
16	OIL SEAL	48	SPRING	82-1	FUEL TANK LID
17	CRANK CASE	49	PLUG COVER	82-2	GASKET
18	BEARING 6202	50	PLUG CAP	82-3	INLET
19	CRANKSHAFT	51	PLUG	82-4	INSIDE COVER
20	KEY	54	GASKET	82-5	LID
21	PIN	55	MUFFLER	82-6	CHAIN
22	RUBBER WASHER	57	BOLT	89	STAND
23	CRANK CASE	58	NUT	90	RUBBER COVER
25	SCREW M5X30	60	GASKET	91	SCREW M5X20
26	MAGNETO ROTOR COMP	61	ADMITTING PIPE	93	STARTER PULLEY ASSY
27	NUT	62	GASKET	93-1	STARTER REEL
28	IGNITION COLL COMP	63	CARBURETOR	93-2	STOP RING
29	CORD COMP	69	STARTER	93-3	STARTER PAWL SPRING
30	BOLT M5X20	69-1	SCREW	93-4	STARTER PAWL
31	WASHER	69-2	WASHER	150	BAFFLE
32	SPRING	69-3	START POPE REEL	151	SCREW
33	EXPANDER	69-4	POPE	152	CYLINDER COVER
34	WASHER	69-5	RECOIL SPRING	153	AIR FILTER BASE
35	SCREW PIN	69-6	START COVER ASSY	154	WASHER
36	FAN COVER	69-7	START HANDLE	155	BUSHER
37	BEARING 10X14X16	69-8	RING	156	SCREW
38	RING	69-9	START RATCHET	157	WASHER
39	PISTON	69-10	EASY START COIL SPRING	158	GASKET
40	PISTON PIN	76	SCREW M5X16	159	AIR ELEMENT
41	GASKET	77	CLEANER COVER	160	AIR ELEMENT
42	PISTON RING	78	OUTLET FUEL PIPE	161	AIR COVER
43	GASKET	79	PLUG	162	AIR FILTER SCREW

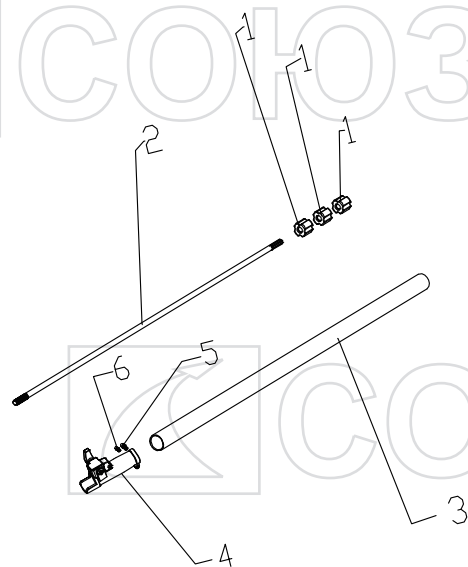
SO20131120



Control rod for BTC-9052MΦ

NO.	DESCRIPTION	NO.	DESCRIPTION
3	INNER HEX SCREW SET M5X12	23	INNER HEX SCREW SET M5X30
4	FLAMEOUT WIRE	24	SHOCK
5	THROTTLE CABLE	25	SUPPORTING HANDLE
6	RUBBER PIPE	26	OIL-RETAINING BEARING
7	SCREW M5X20	27	TRANSMISSION SHAFT
8	TAPPING SCREW ST 3.9X16	28	ALU PIPE
9	HANDLE COVER (RIGHT)	29	INNER HEX SCREW M5X25
10	CONTROL ARM SPRING	30	ALU CONNECTING SEAT
11	CONTROL ARM	35	CLUTCH COMP
12	IGNITION SWITCH	36	CLUTCH DRUM COMP
13	THROTTLE TRIGGER	37	STOP RING
14	THROTTLE TRIGGER SPRING	38	BEARING 6202
15	LOCK BUTTON	39	STOP RING
16	HANDLE COVER (LEFT)	40	UNKER
17	NUT M5	41	RUBBER COVER
18	SHOULDER STRAP	42	SCREW M5X20
19	RING	43	SCREW M5X12
20	LOCKNUT M5	44	STOP RING
21	INNER HEX SCREW M5X20	46	CLAMP
22	HANDLE	47	HANDLE ASSEMBLY

SO20131120



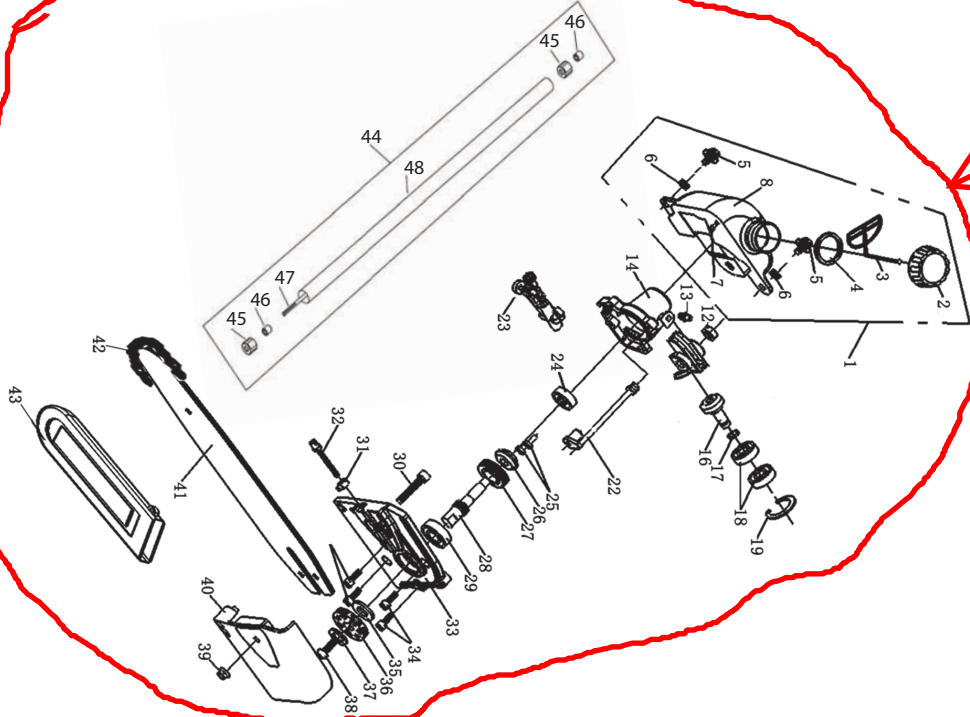
Extension rod for BTC-9052MΦ

NO.	DESCRIPTION
1	BUSH
2	SHAFT
3	TUBE
4	ALU CONNECTING SEAT
5	SCREW
6	SCREW

SO20131120

Pole saw for BTC-9052MΦ

4-

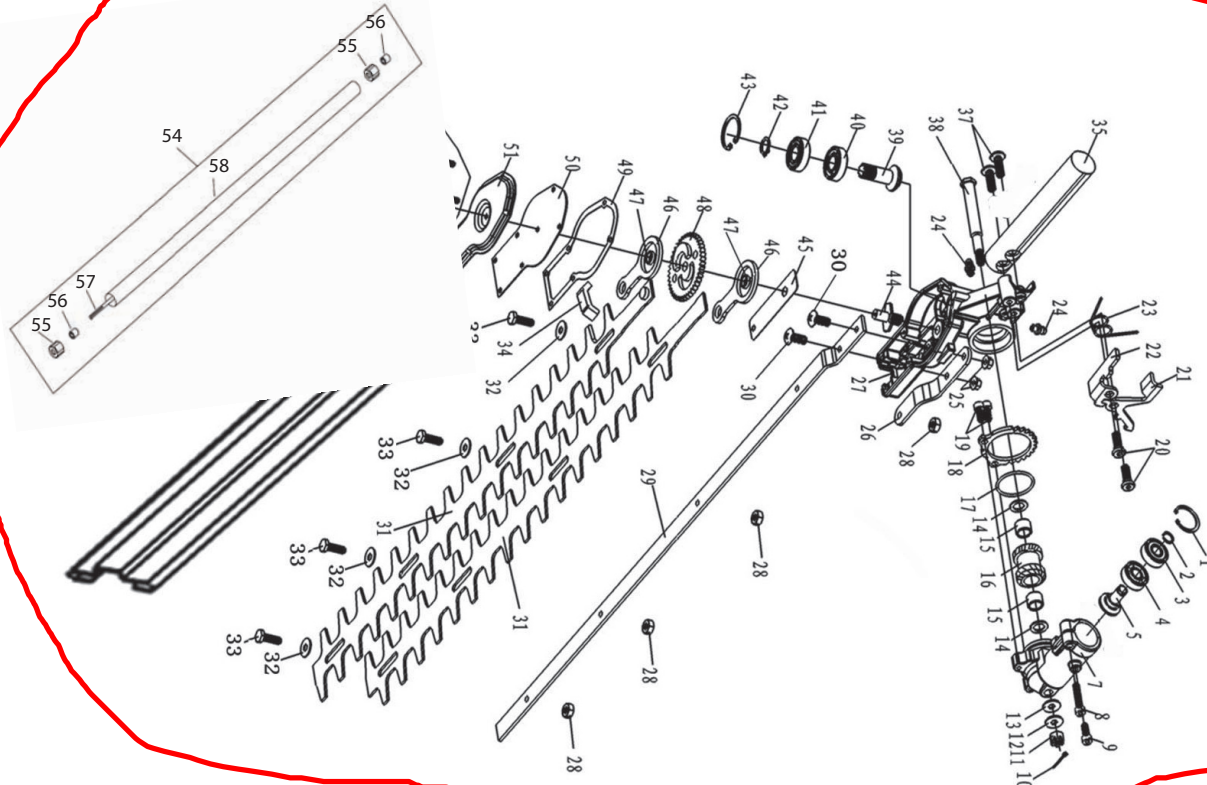


NO.	DESCRIPTION	NO.	DESCRIPTION
1	OIL PUMP ASSEMBLY	28	DRIVEN SHAFT
2	CAP	29	BEARING 6001-2Z
3	CAP HANGER	30	SCREW M6X30
4	WASHER	31	CHAIN TENSIONING PIN
5	SCREW M5X12	32	SCREW M4X35
6	BUSHING	33	GEARCASE COVER
7	AIR FILTER	34	SCREW M5X12
8	OIL PUMP	35	WASHER
12	NUT M6	36	SPROCKET
13	GREASE CUP	37	WASHER
14	WHEEL BOX	38	SCREW M6X14
16	DRIVE BEVEL GEAR	39	NUT M6
17	CIRCLIP 8.5	40	SPROCKET COVER ASSEMBLY
18	BEARING 6000RS	41	GUIDE BAR
19	CIRCLIP A-24	42	SAW CHAIN
22	OIL PIPE	43	GUIDE BAR COVER
23	OIL PUMP ASSEMBLY	44	PIPE COMP
24	BEARING 627-2Z	45	RUBBER COVER
25	SCREW M4X10	46	OIL BEARING
26	DRIVEN BEVEL GEAR	47	DRIVE SHAFT
27	WORM	48	PIPE

SO20131120

4-

Hedge trimmer for BTC-9052MΦ



NO.	DESCRIPTION	NO.	DESCRIPTION
1	CIRCLIP A-24	31	BLADE
2	CIRCLIP 8.5	32	GASKET 6
3	BEARING 6000RS	33	SCREW M6X20
4	BEARING 6000RS	34	OIL SEAL
5	MAIN DRIVE GEAR	35	HANDLE
7	MAIN DRIVE GEARCASE	37	SCREW M6X20
8	SCREW M5X25	38	MAINSHAFT
9	SCREW M5X12	39	DRIVEN GEAR
10	PIN 1.6X14	40	BEARING 6001
11	NUT M5	41	BEARING 6001Z
12	WASHER 6	42	CIRCLIP A-12
13	WASHER 6	43	CIRCLIP A-28
14	DAMPING GASKET	44	CAMSHAFT
15	NEEDLE BEARING HK101410	45	WASHER
16	MAIN AXLE	46	SHAFT
17	O TYPE RING	47	CUSHION
18	RATCHET WHEEL	48	CAM
19	SCREW M5X12	49	GASKET
20	SCREW M5X16	50	WASHER
21	TRIGGER	51	COVER PLATE
22	TRIGGER HANDLE ARM	52	SCREW M4X10
23	SPRING	53	BLADE SHEATH
24	GREASE INLET M6	54	PIPE COMP
25	NUT M5	55	RUBBER COVER
26	JOINT PLATE	56	OIL BEARING
27	DRIVEN GEAR CASE	57	DRIVE SHAFT
28	NUT M6	58	PIPE
29	GUIDE BAR		
30	SCREW M5X18		

SO20131120