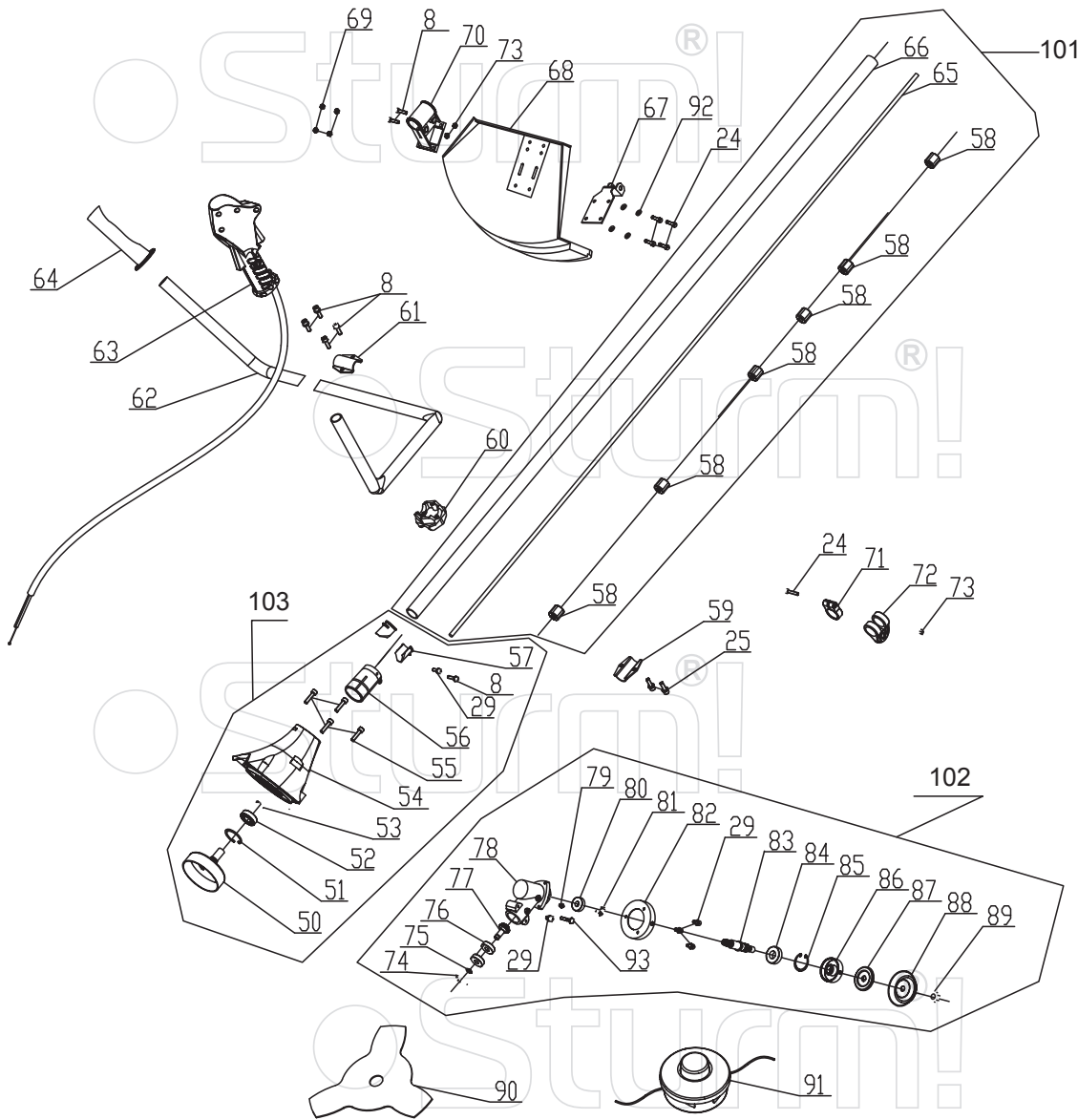
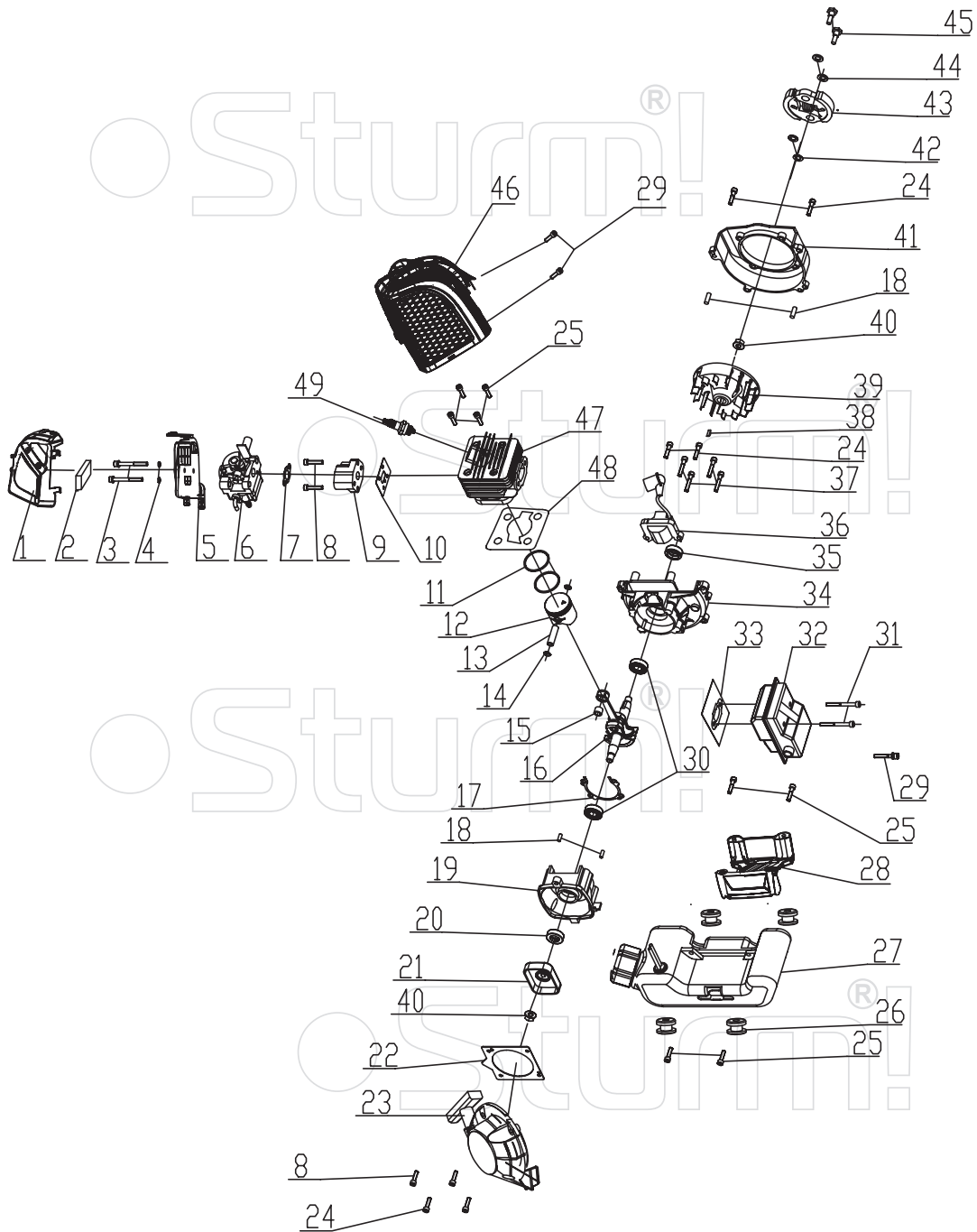


# BT8962D/BT8972D



NO.	DESCRIPTION	NO.	DESCRIPTION
8	BOLT	72	GALLUS HOLDER
24	BOLT	73	NUT
25	BOLT	74	CIRCLIP FOR HOLE
29	SCREW	75	CIRCLIP FOR SHAFT
50	CLUTCH ENCLOSURE	76	BEARING 6000RS
51	CIRCLIP FOR HOLE	77	GEAR
52	BEARING 6202 RS	78	GEAR BOX
53	CIRCLIP FOR SHAFT	79	BUTTER NUZZLE
54	CONNECTOR BASE	80	BEARING 6000RS
55	BOLT	81	GEAR
56	SHEATH	82	CLAMP BUSH
57	CLAMP	83	OUTPUT SHAFT
58	OIL BEARING	84	BEARING 6002RS
59	CLAMP(LOWER)	85	CIRCLIP FOR HOLE
60	CLAMP CORE	86	BLADE FIXED BOARD
61	CLAMP(UPPER)	87	BLADE CLAMP BOARD
62	HANDLE ALU. TUBE	88	BLADE GUARD CAP
63	CONTROLLER HANDLE	89	NUT
64	LEFT HANDLE	90	BLADE
65	HARD SHAFT	91	GRASS TRIMMER HEAD
66	ALU. ROD	92	WASHER
67	BLADE ON GUARD	93	BOLT
68	GUARD	101	ROD WITH SHAFT ASSEMBLY
69	NUT	102	GEAR BOX ASSEMBLY
70	GUARD HOLDER	103	CONNECTOR ASSEMBLY
71	GALLUS HOLDER CLAMP		

ST20121207



## ENGINE FOR BT8962D/BT8972D

NO.	DESCRIPTION	NO.	DESCRIPTION
1	AIR FILTER COVER	26	DAMPING RUBBER
2	AIR FILTER SPONGE	27	FUEL TANK
3	BOLT	28	FUEL TANK BRACKET
4	SPRING WASHER	29	SCREW
5	AIR FILTER BASE	30	BEARING 6202
6	CARBURETOR	31	SCREW
7	SEALING GASKET	32	MUFFLER
8	BOLT	33	SEALING
9	AIR SUCTION PIPE	34	CASE(UPPER)
10	SEALING GASKET	35	SEALING
11	PISTON RING	36	IGNITION COIL
12	PISTON	37	BOLT
13	PISTON PIN	38	WOODRUFF KEY
14	CIRCLIP	39	FLYWHEEL
15	NEEDLE BEARING	40	NUT WITH FLANGE
16	CRANK SHAFT ASSEMBLY	41	FLYWHEEL CASE COVER
17	SEALING GASKET	42	WASHER
18	PIN	43	CLUTCH ASSEMBLY
19	CASE (LOWER)	44	WASHER
20	SEALING	45	BOLT
21	STARTER PULLY ASSEMBLY	46	CYLINDER COVER
22	WASHER	47	CYLINDER
23	STARTER ASSEMBLY	48	SEALING
24	BOLT	49	SPARK PLUG
25	BOLT		

ST20121207