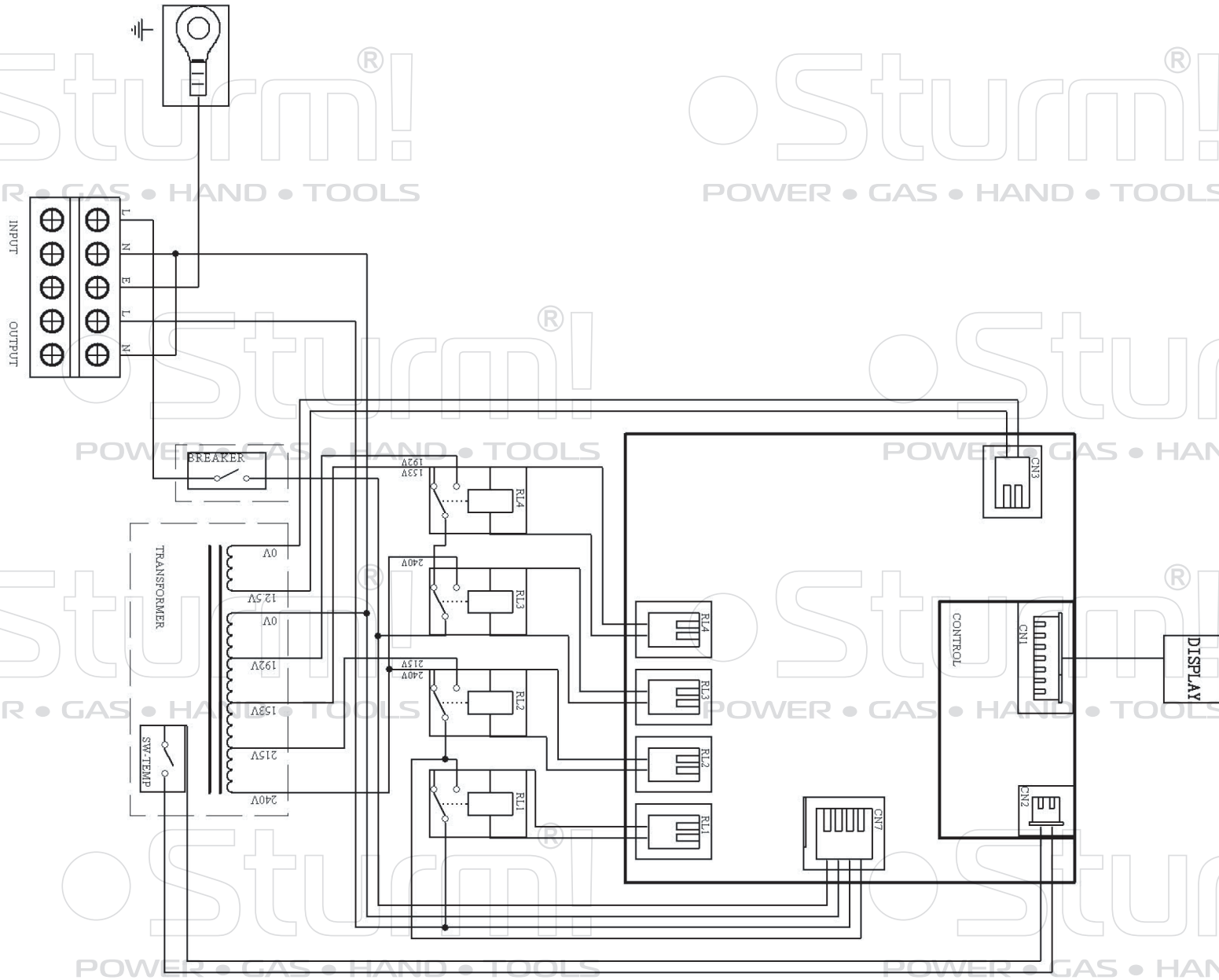
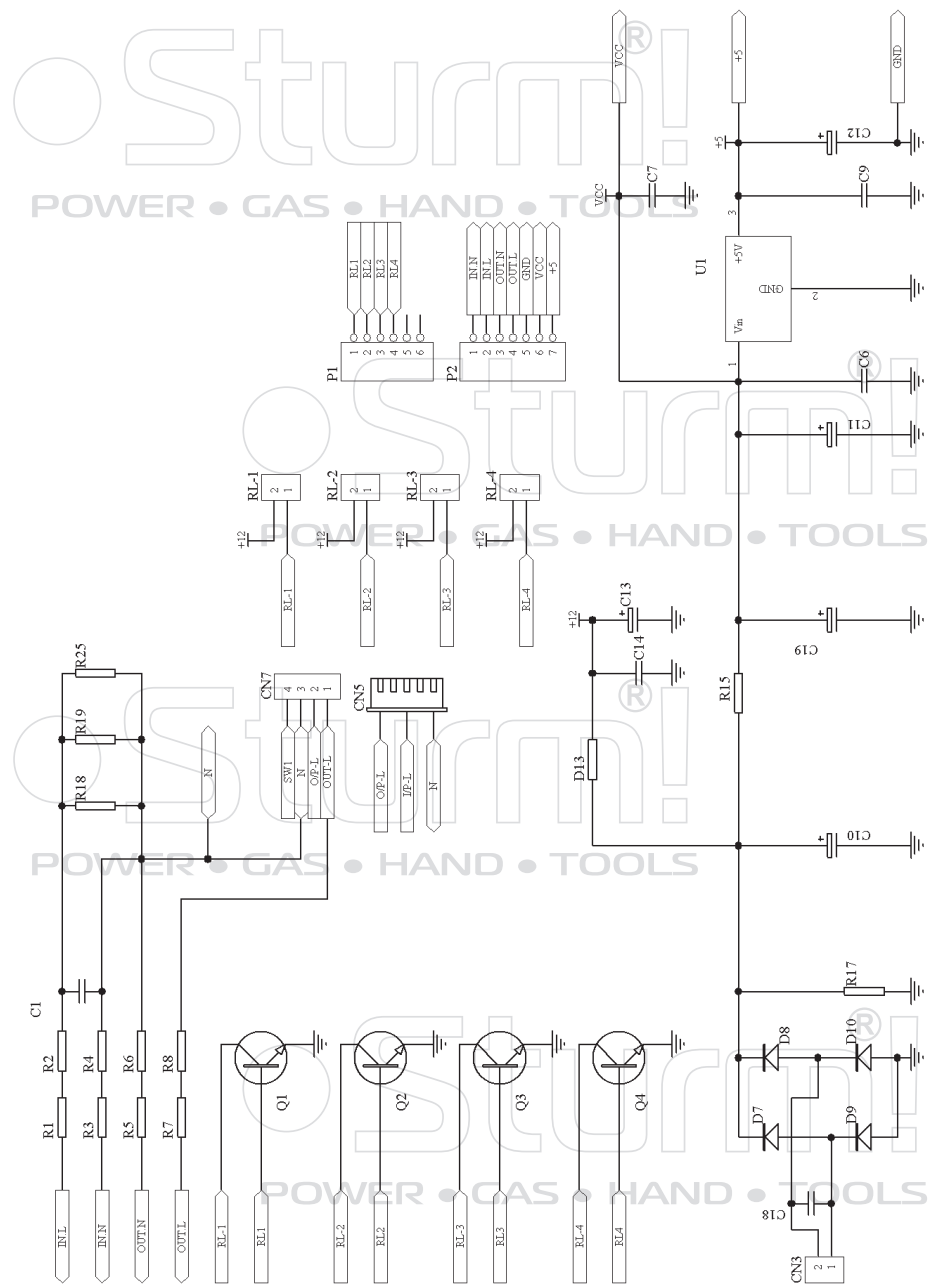


# CONNECTING WIRE DIAGRAM OF PS93080RV.PS93100RV



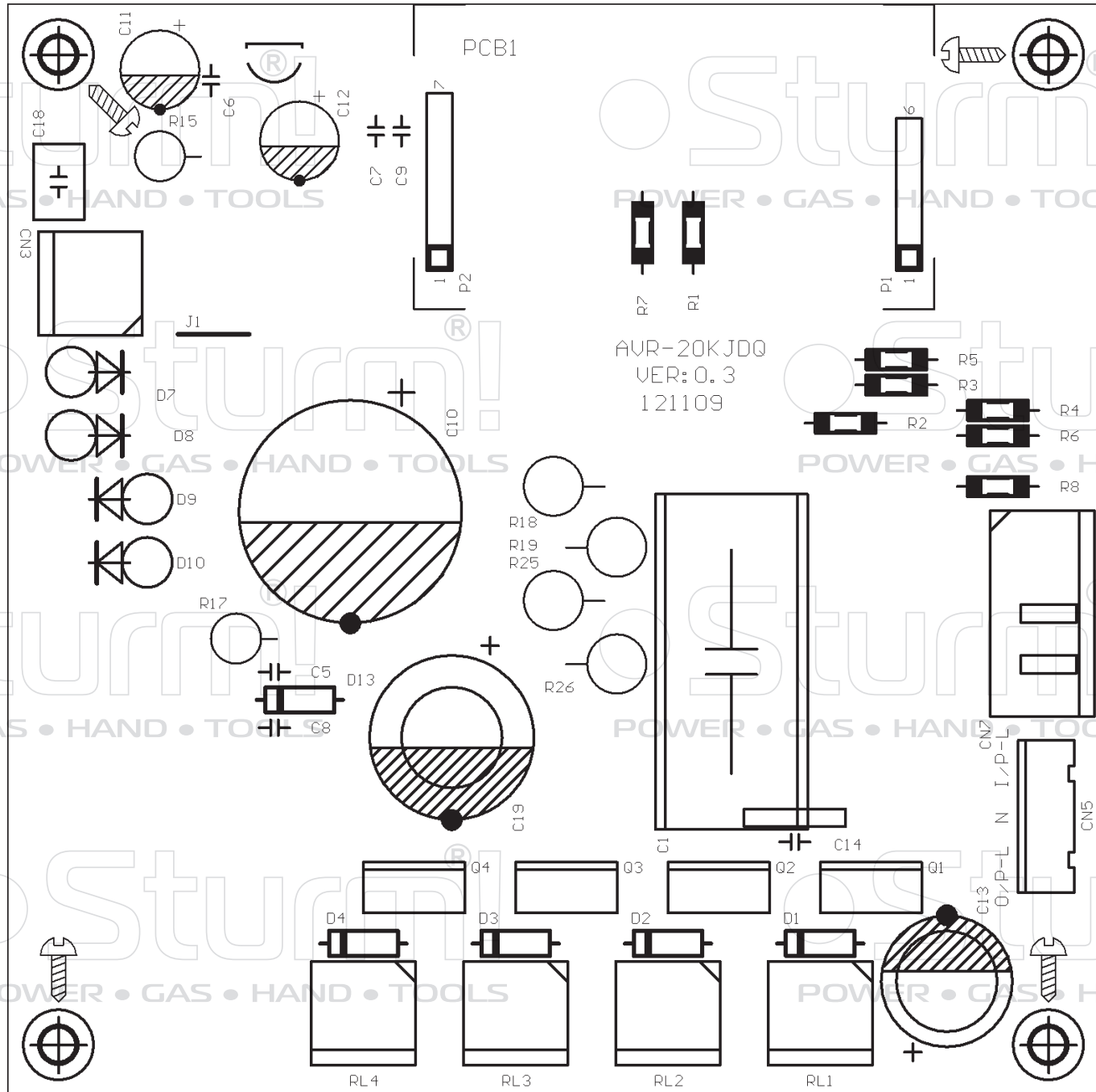


PCB CIRCUIT DIAGRAM OF PS93080RV.PS93100RV

NO.	DESCRIPTION
J1	φ0.6*10mm
R1,R2,R3,R4,R5,R6,R7,R8	1M
R15	10Ω
R17	3K3
D13	1Ω
R18,R19,R25	100K
C5,C6,C7,C8,C9,C14	104K/100V
C18	105J/63V
C1	225K/275V/MKP-X2
C11,C12	220uF/35V/105 C
C13,C19	1000uF/35V/105 C
C10	2200uF/35V/105 C
D7,D8,D9,D10	1N5402
D1,D2,D3,D4	1N4007
Q1,Q2,Q3,Q4	BD681
U1	LM7805CT
P1	2.54mm-6P
P2	2.54mm-7P
CN5	XH2.54-5P
CN3,RL1,RL2,RL3,RL4	5.08mm-2P
CN7	5.08mm-4P

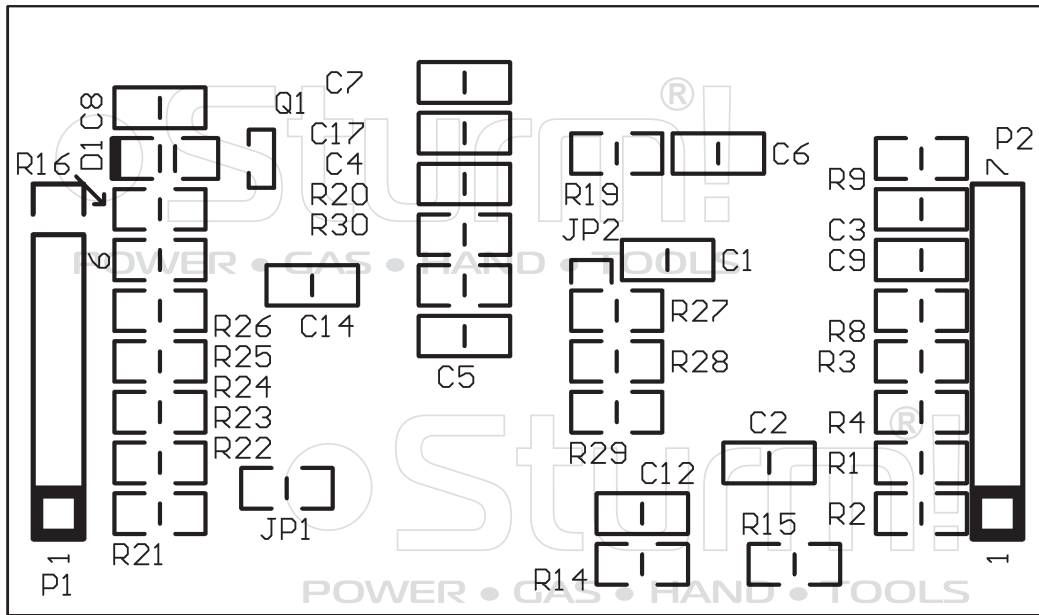
ST20130123

# THE MAIN BOARD OF PS93080RV.PS93100RV



ST20130123

### CPU CIRCUIT DIAGRAM OF BOTTOM

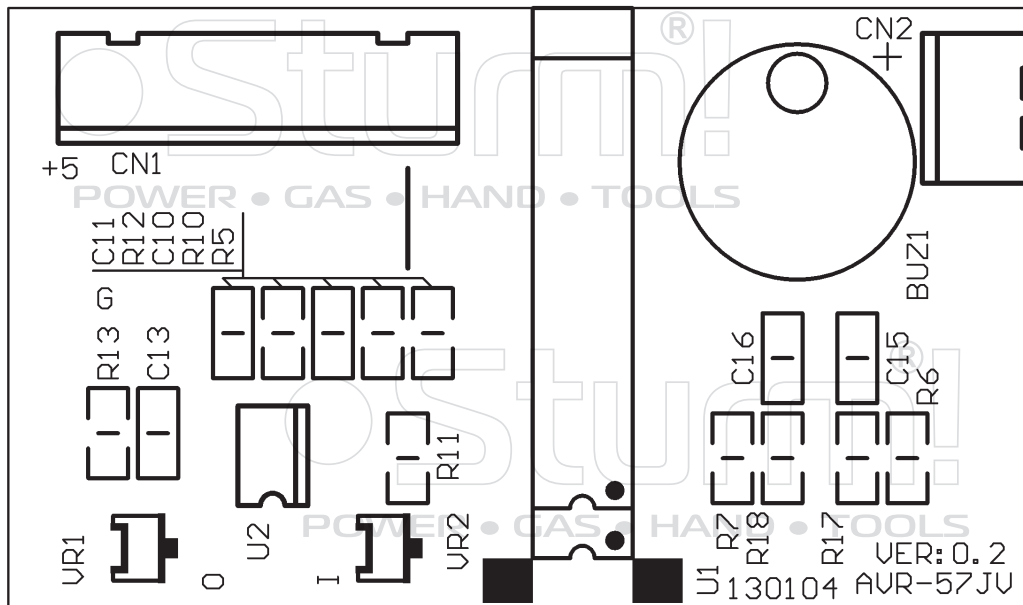


### THE CPU BOARD OF PS93080RV.PS93100RV

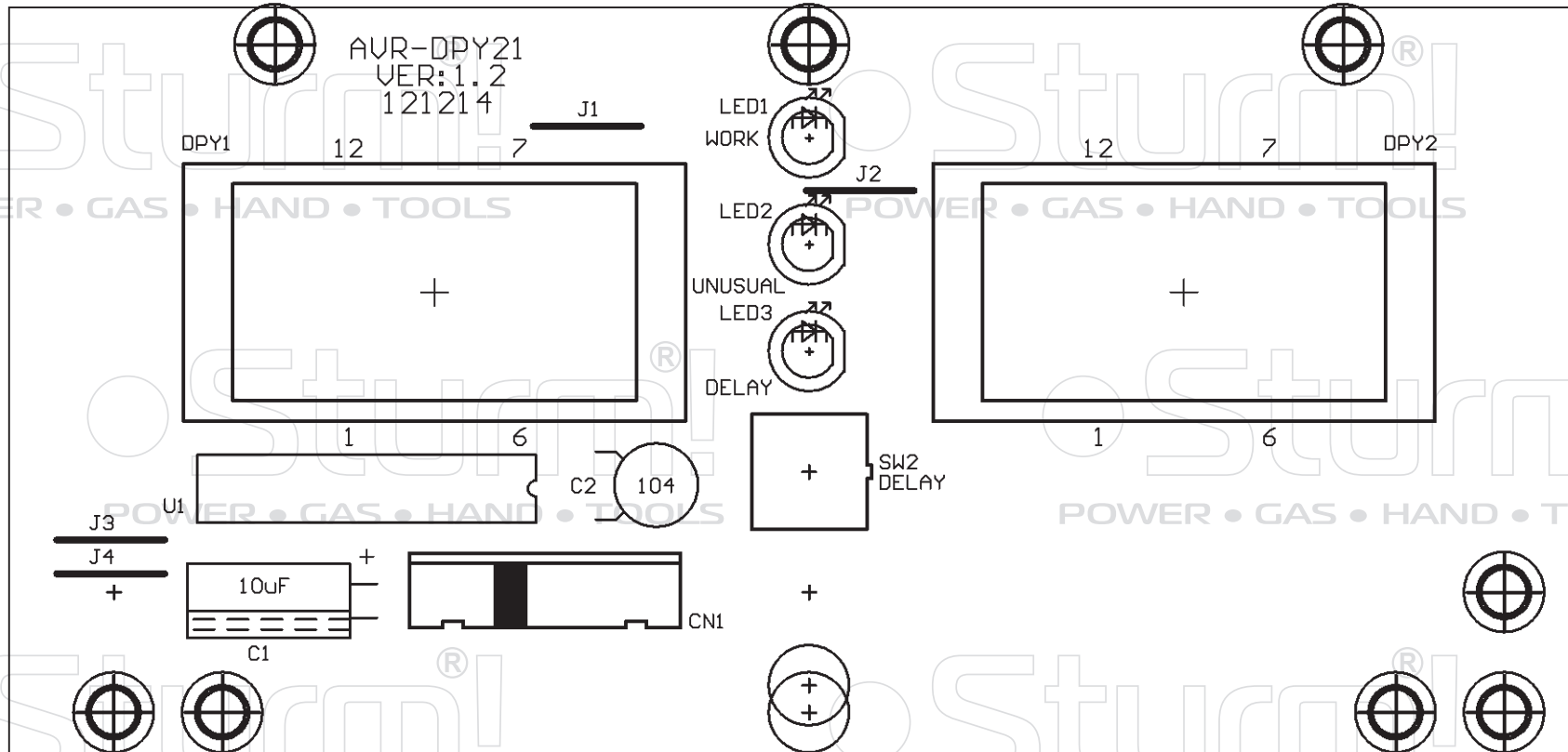
NO.	DESCRIPTION
JP1	0Ω
R8,R9	20Ω
R28,R29	510Ω
R6,R7	1K
R21,R22,R23,R24,R25,R26	2K7
R11,R13	8K2
R10,R12,R16,R17,R18	10K
R14,R15	15K
R19,R20	33K
R30	43K
R1,R2,R3,R4	825K
VR1,VR2	502
C10,C11,C12,C13	102J/50V
C15,C16	103J/50V
C1,C2,C3,C4,C5,C6,C7,C8,C9	104K/50V
C17	105K/25V
D1	1N4148
Q1	2N2222A
U2	LM358
U1	HT46R47
BUZ1	12V/φ12
CN2	XH2.54-2P
CN1	XH2.54-7P
P1	2.54mm-6P
P2	2.54mm-7P

ST20130123

### CPU CIRCUIT DIAGRAM OF TOP



VER: 0.2  
U1 130104 AVR-57JU



### LED VOLTAGE OF PS93080RV.PS93100RV

NO.	DESCRIPTION
J1,J2,J3,J4	φ0.5*10mm
C2	104K/100V
C1	10uF/50V/105 C
LED1	φ3 LED
LED2	φ3 LED
LED3	φ3 LED
DPY1,DPY2	LC-4301FS
U1	TM1637
SW2	8.5*8.5*14

ST20130123